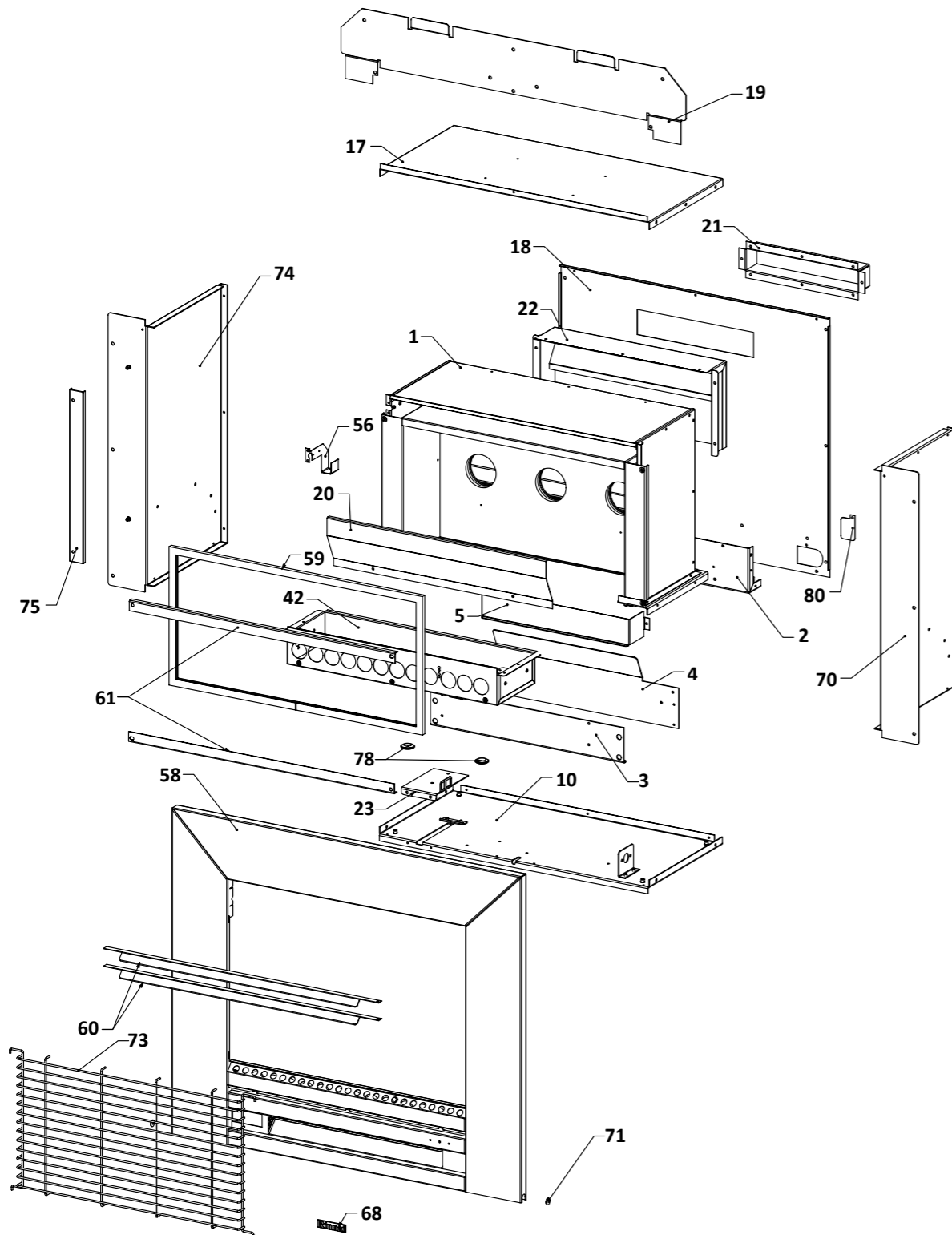


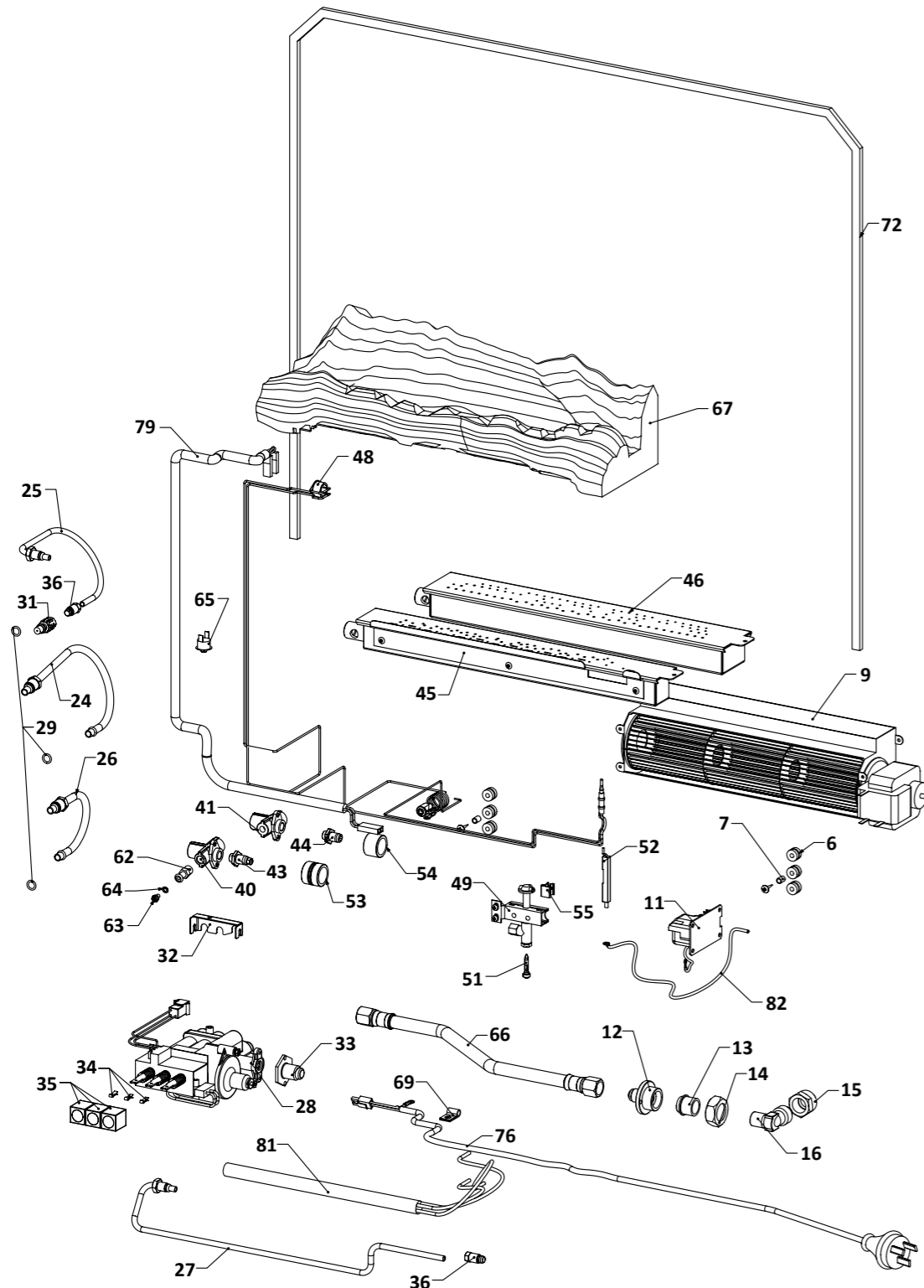
Timberflame Compact (IBF) gas fireplace

This diagram is provided to assist you to identify parts if replacement is necessary. Contact your place of purchase or the manufacturer to enquire about parts, availability and/or service.



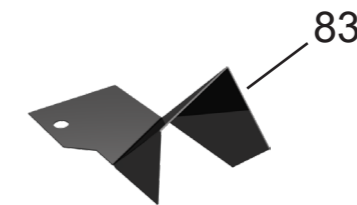
Ref.	Description	Qty.	Part No.
1	Combustion chamber assy painted	1	10108
2	Fan support panel	1	10122
3	Fan mounting bracket	1	10124
4	Fan bracket panel	1	10123
5	Panel fan guide	1	10125
10	Bottom panel assy	1	10102
17	Panel top	1	10105
18	Panel rear	1	10106
19	Panel top front	1	10107
20	Panel heat shield	1	10109
21	Panel flue spigot assy	1	10119
22	Panel draft hood	1	10120
23	Control mounting bracket	1	10126
42	Panel box burner assy	1	10111
56	Bracket temperature switch	1	10115
58	Front assy - black	1	10181
	Front assy - stainless steel	1	10199
59	Glass assy (glass + seal tape)	1	10182
-	Glass seal replacement tape kit	1	R7010
60	Louvre top black	2	10144B
61	Glass retainer	2	10142B
68	Brand badge silver	1	5327
70	Panel side RH	1	10104
71	Rubber grommet	2	7132
73	Dress guard	1	10145
74	Panel side LH	1	10103
75	Panel wire cover	1	10162

This diagram is provided to assist you to identify parts if replacement is necessary. Contact your place of purchase or the manufacturer to enquire about parts, availability and/or service.



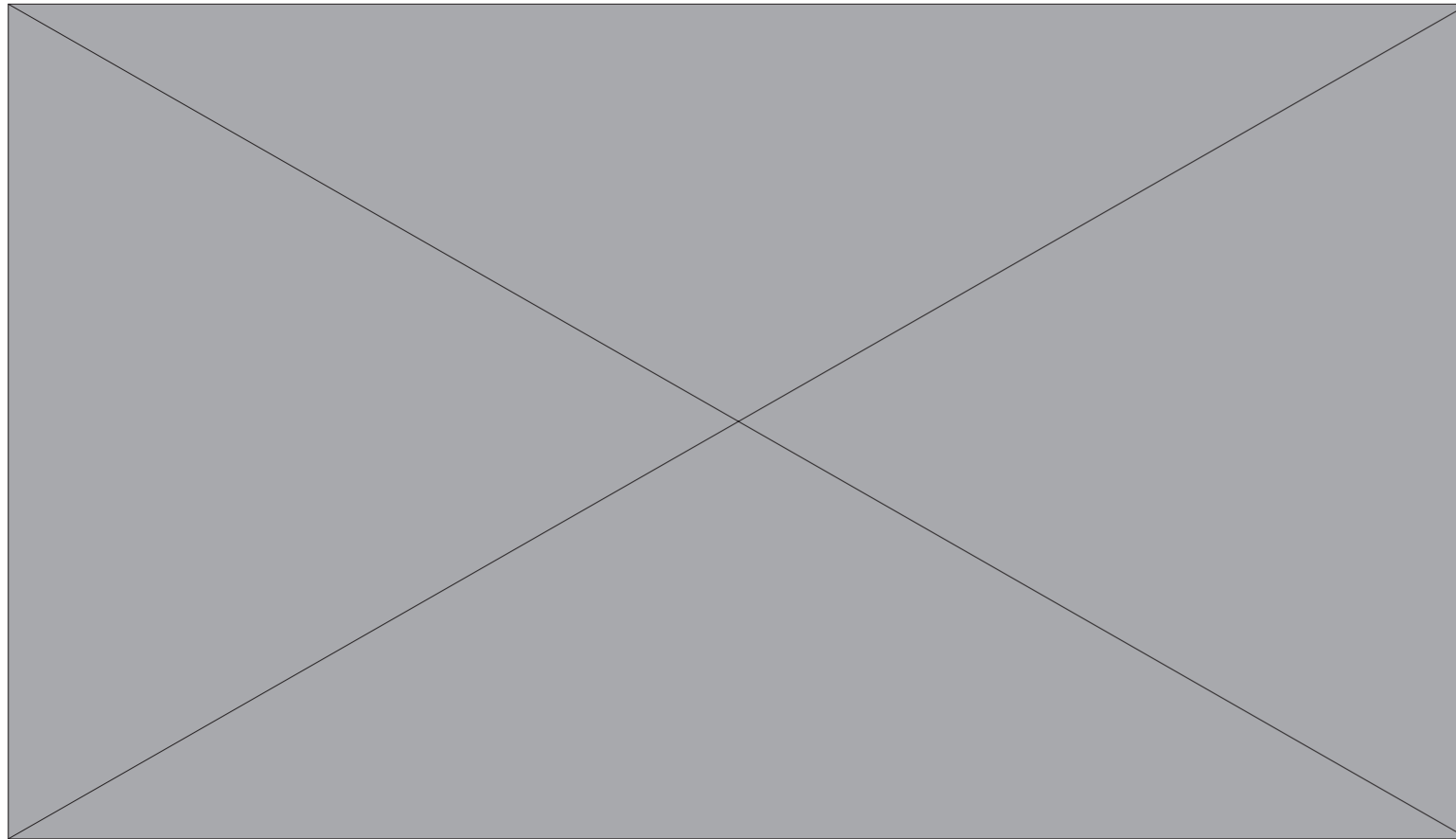
Ref.	Description	Qty.	Part No.
6	Fan mounting grommet	6	7129
7	Fan mounting sleeve	2	7130
9	Fan kit	1	R1903
11	Sparker	1	6917
12	Adaptor gas connection	1	10148
13	Inlet barrel	1	10160
14	Reg. barrel union nut	1	6679
15	Nut	1	5064
16	Reg. gas inlet elbow	1	6680
24	Gas supply tube A	1	10130
25	Gas supply tube B	1	10131
26	Gas supply tube C	1	10132
27	Gas supply tube pilot	1	10134
28	Gas control assy	1	4995
29	O-ring	3	6642
31	By-pass orifice 1.4 NG	1	10158
	By-pass orifice 0.9 LPG	1	10159
32	Tube main gas retainer	3	6643
33	Inlet adaptor	1	7856
34	Button spring	3	6618
35	Control button	2	6617G
36	Olive 6 mm	2	7519
40	Injector block a+b+c+d	1	7958
41	Injector block a+b+c	1	7959
43	Injector Bray 170 multi NG	1	7184
	Injector Bray 95 single LPG	1	7173
44	Injector Bray 170 multi LPG	1	7184
	Injector Bray 460 multi NG	1	7156
45	Front burner assy	1	10128
46	Burner rear assy	1	10129
48	Thermocouple c/w overheat	1	10157
49	Pilot assy c/w injector 0.45 NG	1	7008

Ref.	Description	Qty.	Part No.
51	Pilot injector 0.30 mm LPG	1	7009
	Pilot injector 0.45 mm NG	1	9600
52	Electrode	1	7521
53	Aeration sleeve 21 mm NG only	1	7296
54	Aeration sleeve 17 mm NG only	1	7258
55	Thermocouple retainer	1	9377
62	Pressure test point screw	1	9992
63	Test point screw	1	9994
64	Test point packing	1	9995
65	Switch fan	1	6635
66	Hose stainless steel	1	10147
67	Log set with granules	1	11997
-	Granule pack	1	2544
69	Power lead clamp	1	9552
72	Flue seal	1	717R
76	Power cord	1	6765B
79	Harness fan switch	1	10161
81	Wire harness	1	10168
82	Universal high tension lead (also known as a sparker lead)	1	R7205
83	Pilot cover bracket	1	10118F



This diagram is provided to assist you to identify parts if replacement is necessary. Contact your place of purchase or the manufacturer to enquire about parts, availability and/or service.

Compact flue adaptor



Plinth and zero clearance box	
Description	Part No.
Plinth - black	AAC1781B
Plinth - stainless steel	AAC1781SS
Zero clearance box	AAC17181

Rinnai Timberflame gas fireplaces: Paint information	
Serial numbers (S/N)	Paint codes
Up to S/N 6358 and S/N 6371	use suffix S on part number
From S/N 6359 onwards	use suffix SP on part number
Touch-up paint	
Silver touch-up paint	R1880
Black touch-up paint	R1881
Paint codes for products manufactured at Rinnai NZ Ltd	
Ameron 5326638	Viper satin
Orica Rinnai silver 95496618	Old silver
Rahasia silver SP5182	New silver