

## ReadyFit 135/180 L cylinders

### Installation guide

#### Description

The mains pressure indoor outdoor ReadyFit enamel 135/180 litre cylinders have been designed for high volume specification jobs such as terraced houses and apartments, significantly reducing the time to install a hot water system.

All cylinders are leak tested prior to shipment giving the plumber ease of mind when it comes to commissioning. The ReadyFit cylinders come with all valves and auxiliary pipework fitted, and are available in two capacities with two element options.

Codes	Capacity	Element size
ME135488E20R	135 L	2 kW
ME135488E30R	135 L	3 kW
ME180488E20R	180 L	2 kW
ME180488E30R	180 L	3 kW



#### Important

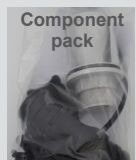
• DO NOT handle / use the pipe work to move the cylinder into place. Any damage caused by handling is not covered by warranty.

• This guide must be used in conjunction with the Mains Pressure Indoor Outdoor enamel owner and installer guide to install the cylinder. This is supplied with the unit.



#### Includes:

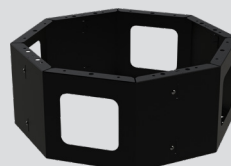
- 850 kPa TPR
- Insulated hot water tee with optional untempered hot water outlet
- Insulated 20 mm NZS3501 copper pipe
- 20 mm (AVG TVA20C-I) tempering valve with insulation\*—can be rotated left or right to suit outlet requirements
- 700 kPa (Apex EVT700) cold water expansion valve
- Allproof 40 mm tundish\*
- ABS drip tray



\* Part of component pack, these need to be fitted.

**Please note:** An inlet non-return valve is supplied but not installed—plumber to determine suitable installation position.

**Does not include:** Isolating valve, seismic restraints, or mounting plinth (available as an accessory, code: R1000)

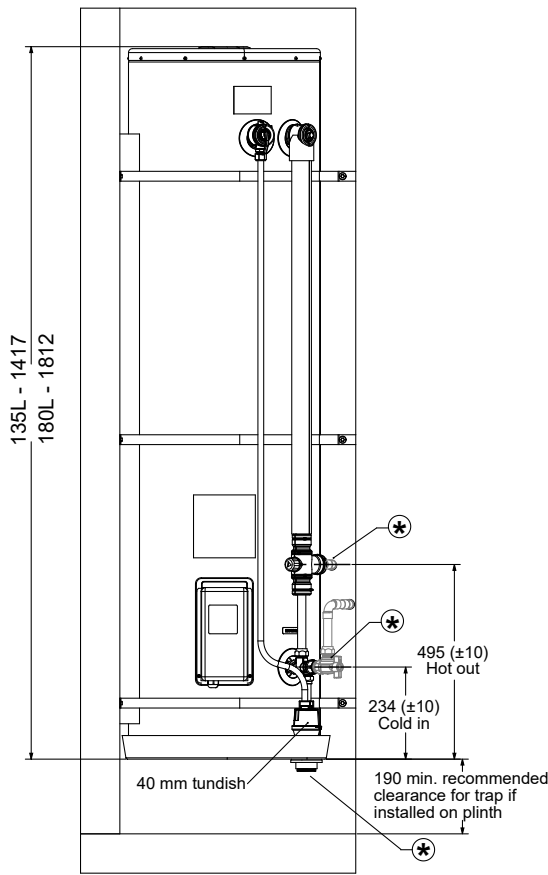


## ReadyFit 135/180 L cylinders

### Installation guide

#### Dimensions (mm)

Cold inlet / hot outlet DN20 (3/4" BSP)  
suitable for NZS3501 copper.

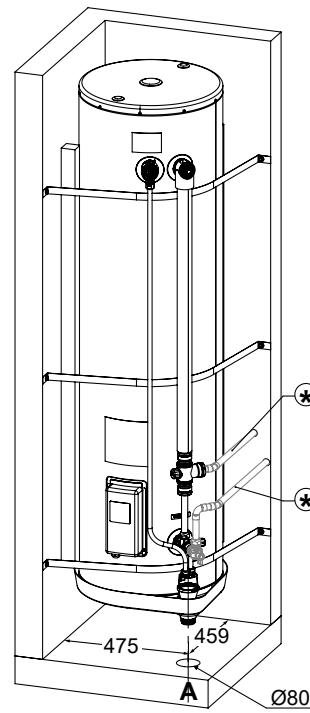
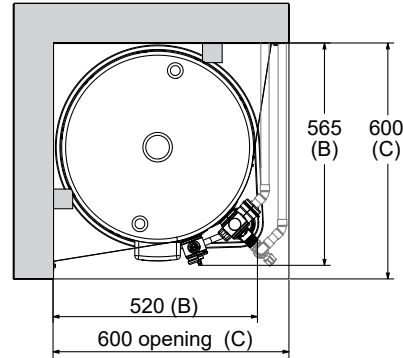


\*Assembly excludes:

- Isolating valve
- Consumer pipework
- Waste trap

**N.B:** Drain from safe tray must comply with AS/NZS 3500.4 or G12/AS1.

**B** ReadyFit product dimensions  
**C** Recommended min. cupboard size



#### ReadyFit guarantee

Rinnai ReadyFit cylinders are subject to rigorous leak testing before being dispatched, to guarantee the delivery of a high-quality product to our customers.

For comprehensive warranty information, please refer to the mains pressure enamel indoor outdoor cylinder limited warranty document.

Notably, the ReadyFit warranty extends to cover faults in parts and pipework provided by Rinnai for a duration of **one year following installation**. Please be advised that any damage resulting from mishandling during the installation process will not be covered by warranty.