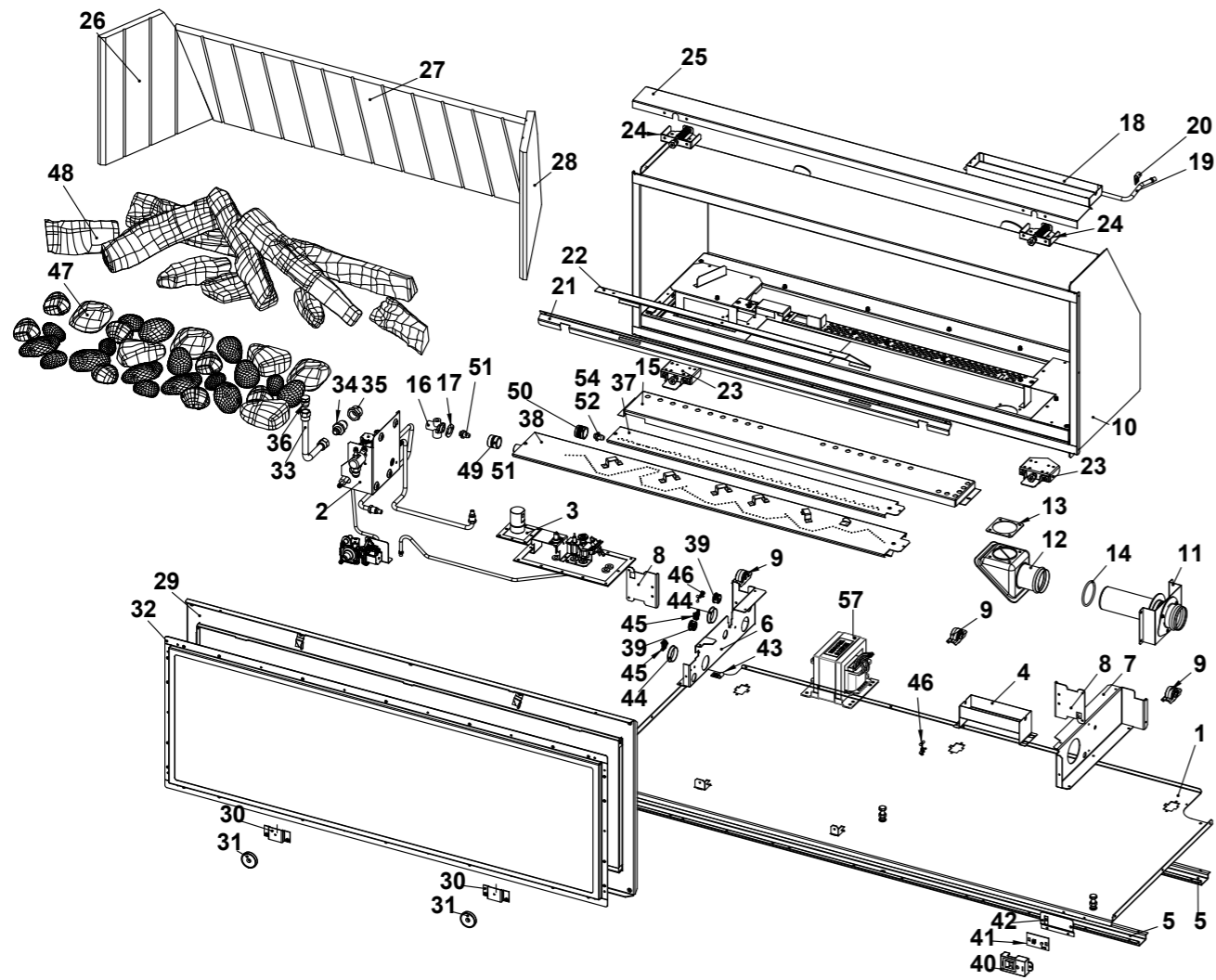


This diagram is provided to assist you to identify parts if replacement is necessary. Contact your place of purchase or the manufacturer to enquire about parts, availability and/or service.

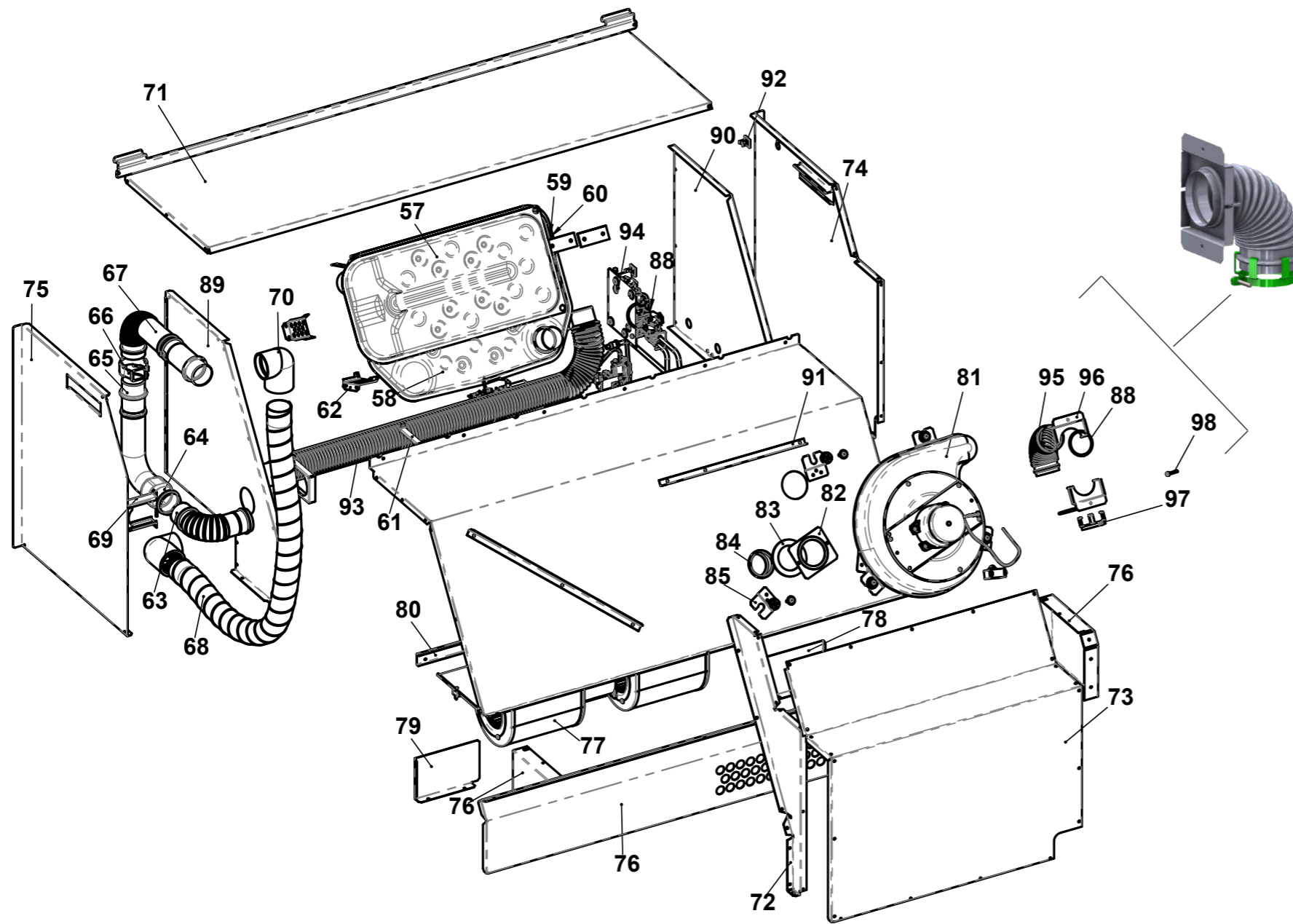


Ref.	Description	Qty.	Part No.
1	Panel base assembly	1	13077
2	Main gas supply assembly	1	p. 4
3	Pilot assembly universal control	1	p.5
4	Condensate tray bottom	1	12558
5	Base support brackets	2	12644
6	Combustion chamber support LH	1	13076
7	Combustion chamber support RH	1	12402
8	Bracket fascia	2	12437
9	Wheel kit	3	10751
10	Combustion chamber assembly	1	12613F
11	Air inlet assembly	1	12521
12	Air inlet box front	1	10234
13	Packing for air inlet box	1	10271
14	O-ring M10B-4-49	1	4850
15	Air diverter	1	12622
16	Injector block A + C	1	7953
17	Packing injector block	1	10462
18	Condensate tray top	1	12484
19	Condensate pipe	1	12485
20	Cable clamp metal 7.9 mm	1	9560
21	Heat shield bracket black	1	12627F
22	Heat shield top black	1	12422F
23	Explosion relief bottom assembly	2	11663
24	Explosion relief assembly spare	2	11662
25	Relief spring cover black	1	12635F
26	Ceramic panel groove LH	1	12602
27	Ceramic panel groove rear	1	12604
28	Ceramic panel groove RH	1	12603
29	Glass frame spare part	1	12667
30	Magnet bracket	2	12624
31	Magnet	2	7136

Ref.	Description	Qty.	Part No.
32	Dress guard kit	1	R2788
33	Flextube 3/8 x 8 CW 5/8-18 nuts	1	7835
34	Adaptor 1/2 BSP 3/8 SAE flare	1	11944
35	Nut 1/2 compression	1	5064
36	Brass plug 3/8 " SAE flare	1	11948
37	Burner rear assembly black	1	12626F
38	Burner front assembly black	1	12623F
39	Insulating bush	2	10657
40	PCB case receiver	1	10394
41	PCB receiver	1	10393
42	Receiver bracket	1	12486
43	Power cord clamp	1	9552
44	Grommet	2	11937
45	Protector plastic edge	2	1880
46	Cable clip	2	6698
47	Stones	1	R2782
48	Log set	1	R2783
49	Aeration sleeve 21 mm front NG	1	7296
50	Aeration sleeve 19.5 mm rear NG	1	12499
51	Injector 2.10 mm front NG	1	12508
52	Injector 1.90 mm rear NG	1	11205
54	Injector 1.30 mm front ULPG	1	12506
56	Injector 1.10 mm rear ULPG	1	12504
57	Transformer	1	10258
-	Heat exchanger bracket	1	12995
-	Granule pack	1	2544

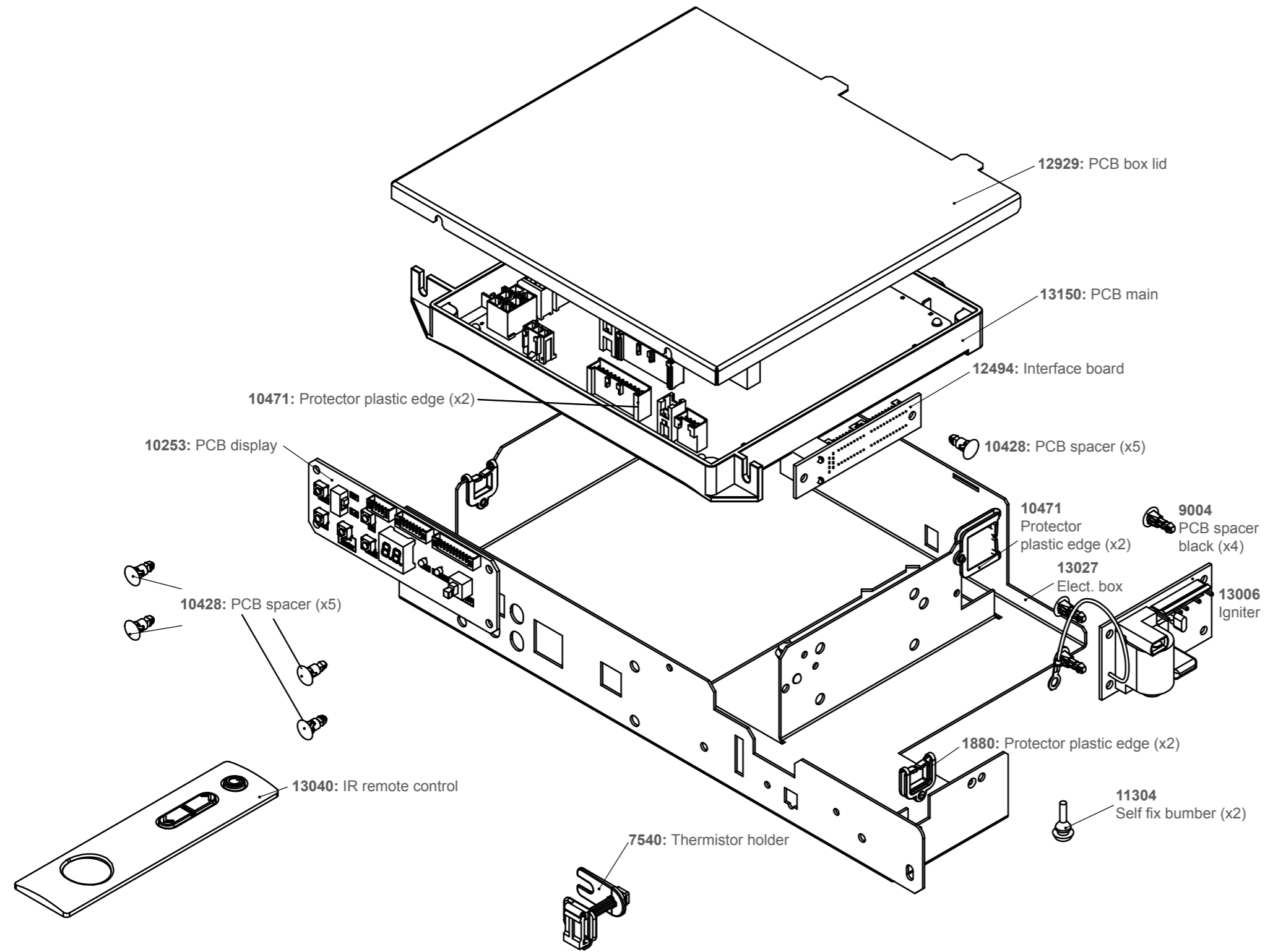
\* When a new unit is ordered for the first time three granule packs are supplied with the engine.

This diagram is provided to assist you to identify parts if replacement is necessary. Contact your place of purchase or the manufacturer to enquire about parts, availability and/or service.

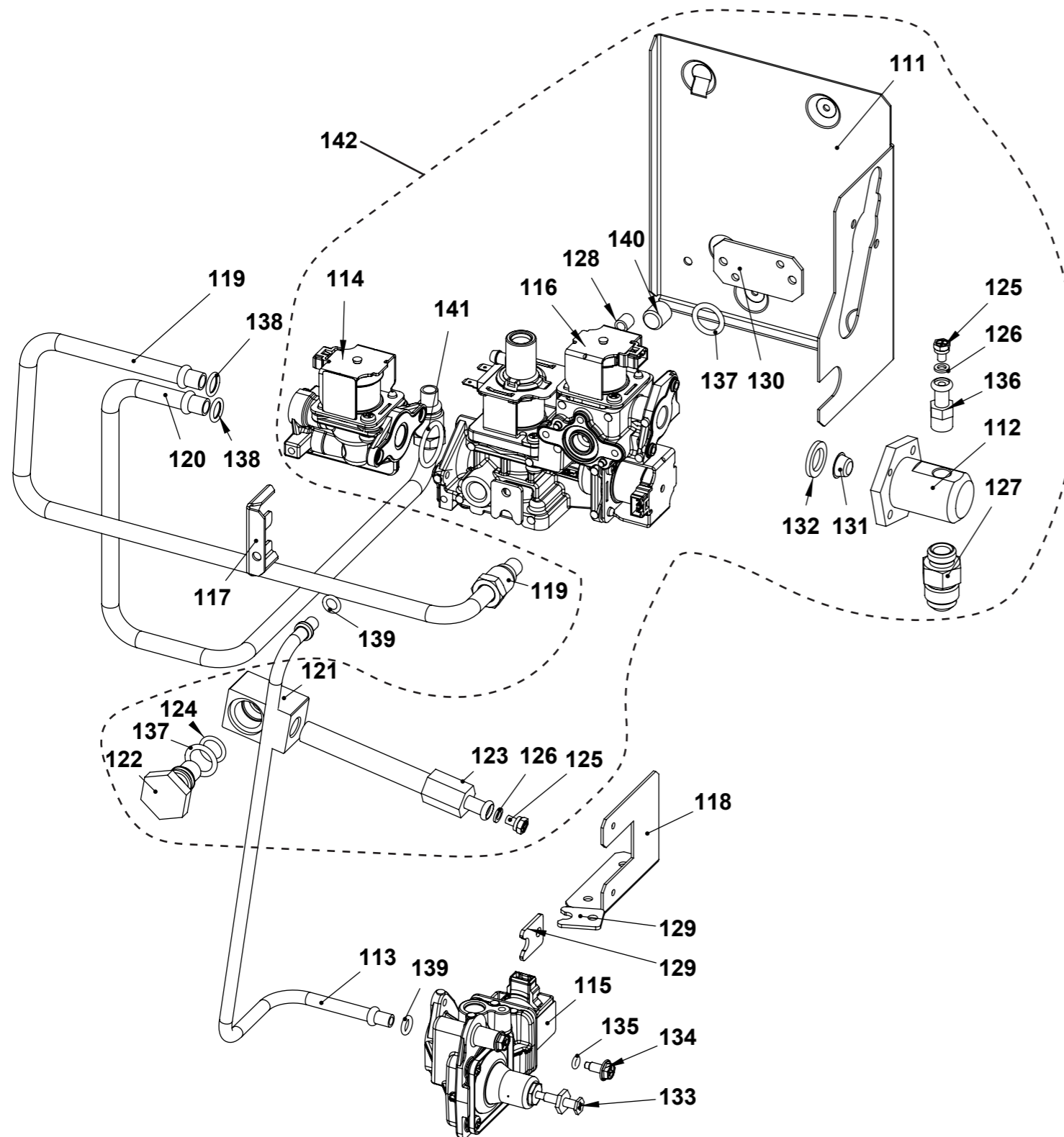


Ref.	Description	Qty.	Part No.
57	Heat exchanger rear	1	10351
58	Heat exchanger front painted	1	12525
59	Bracket sound absorption	2	10399
60	Heat exchanger sound absorber	2	10477
61	Heat exchanger clamp	2	12468
62	Combustion chamber HEX bracket	2	12419
63	Air inlet elbow Ø 50	1	10334
64	Flue pipe condensate	1	10446
65	Tube flue slide 50 x 135	1	4326
66	Flue clamp 50 mm	1	4823
67	Flue pipe set	1	10313
68	Air inlet hose	1	10349
69	Bracket exhaust	1	12420
70	Air inlet elbow B 50 x 50	2	4328
71	Top panel	1	12669
72	Panel combustion fan side cover	1	12412
73	Panel combustion fan cover	1	12634
74	Panel side LH	1	12674
75	Panel side RH	1	12675
76	Convection fan cover	1	12671
77	Fan convection assembly	1	12536
78	Cover convection fan LH	1	12637
79	Cover convection fan RH	1	12641
80	Convection fan spacer bracket	1	12436
81	Combustion fan assembly (incl. 82, 83, 84, 85, 86, 87)	1	13619
82	Bracket combustion fan inlet clamp	1	10508
83	Packing combustion fan	1	10278
84	Tube fan inlet	1	10526
85	Bracket fan combustion	3	10280
86	Screw for fan combustion	3	10291
87	Combustion fan rubber mount	3	10269
88	O-ring M10B-4-49	1	4850
89	Panel heat shield RH	1	12405
90	Panel heat shield LH	1	13060
91	Heat shield rear	1	12670
92	Cable clip	3	10309
93	Heat exchanger pipe	1	12606
94	Gas control assembly NG, refer p.4	1	-
94	Gas control assembly ULPG, refer p.4	1	-
95	Elbow combustion exhaust	1	13439
96	Heat exchanger pipe clamp	1	12953
97	Flue clamp and screw	1	R4822
98	Screw M4x25 panphil ZC	1	9076

This diagram is provided to assist you to identify parts if replacement is necessary. Contact your place of purchase or the manufacturer to enquire about parts, availability and/or service.



This diagram is provided to assist you to identify parts if replacement is necessary. Contact your place of purchase or the manufacturer to enquire about parts, availability and/or service.



Ref.	Description	Qty.	Part No.
111	Bracket gas control	1	13024
112	Gas inlet adaptor ¼ elbow	1	13016
113	Pilot valve assembly tube	1	13071
114	Gas valve burner	1	13002
115	Pilot regulator	1	13001
116	Gas valve main	1	13000
117	Tube clamp double	1	13030
118	Pilot regulator bracket universal control	1	13067
119	Gas supply tube front	1	13068
120	Gas supply tube rear	1	13078
121	Test point adapter outlet	1	13072
122	Test point adapter inner	1	13073
123	Test point main	1	13017
124	O-ring M10B-1-10	1	2389
125	Test point screw	2	3564
126	O-ring M10B-13-4	2	2239
127	Reducing flare ¾ SAE x ¼ BSPP male	1	13018
128	Spacer M4 clearance 7 mm high	1	13066
129	Tube clamp 6 mm	3	13028
130	Cover plate	1	13003
131	Filter	1	13019
132	Rubber sealing washer for gas connection	1	10290
133	Adjustment screw c/w nut	1	6700
134	Test point screw	1	3564
135	O-ring M10B-13-4	1	2239
136	Pressure test point	1	9992
137	O-ring M10B-1-14	2	13020
138	O-ring M10B-1-8	2	6642
139	O-ring M10B-16	2	6308
140	Plug dryseal pressure ¼ " BSP	1	6243
141	O-ring M10B-1-18	1	13021
142	Gas control assembly SPARE <sup>1</sup>	1	13902

<sup>1</sup> Gas control spare contains:  
111, 112, 114, 116, 121, 122, 123,  
124, 125, 126, 127, 128, 130, 131,  
132, 136, 137, 140, 141

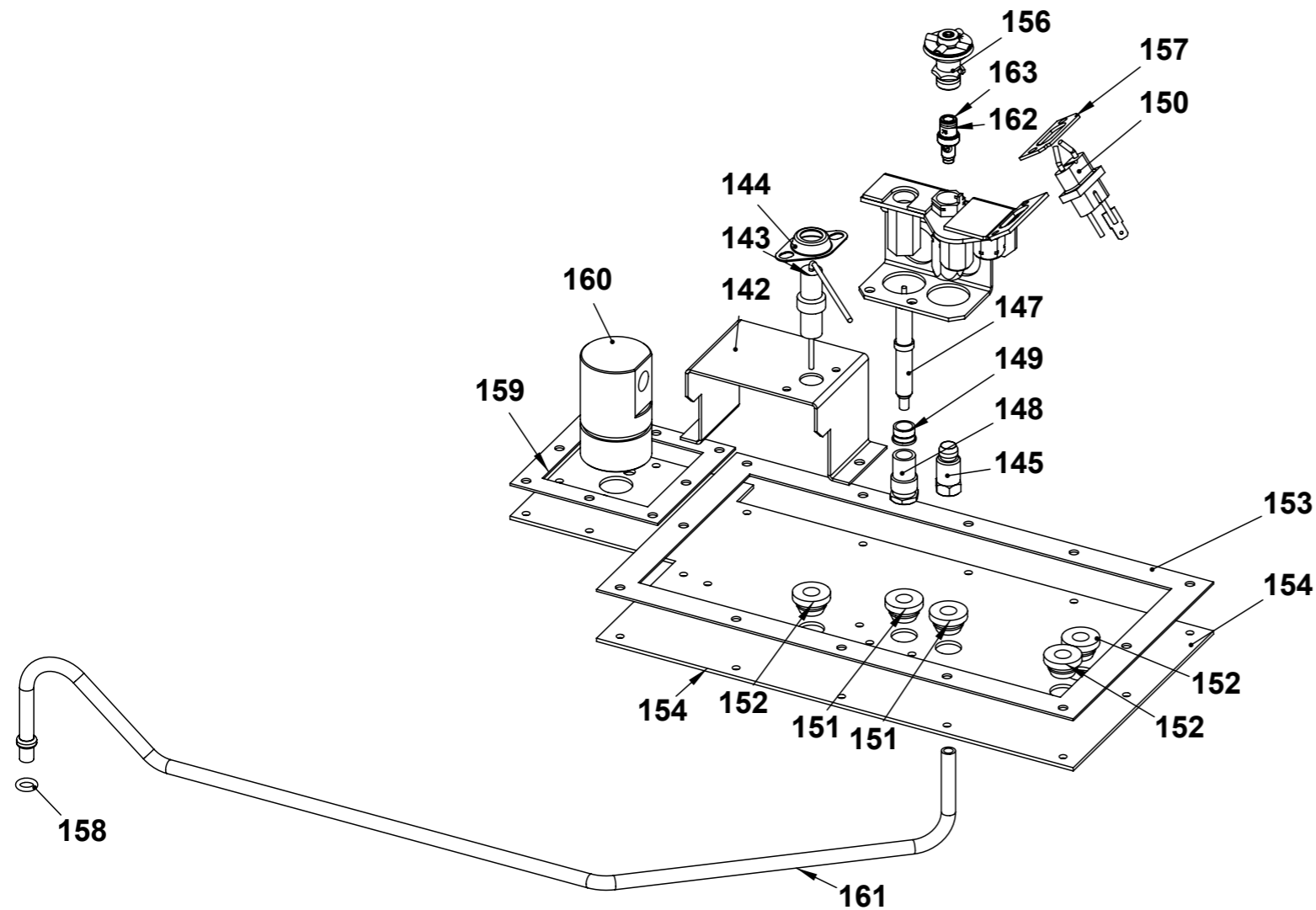
plus o-rings:

\* 1 x Ø6 o-ring M10B-1-6 6308

\* 2 x Ø8 o-ring M10B-1-8 6642

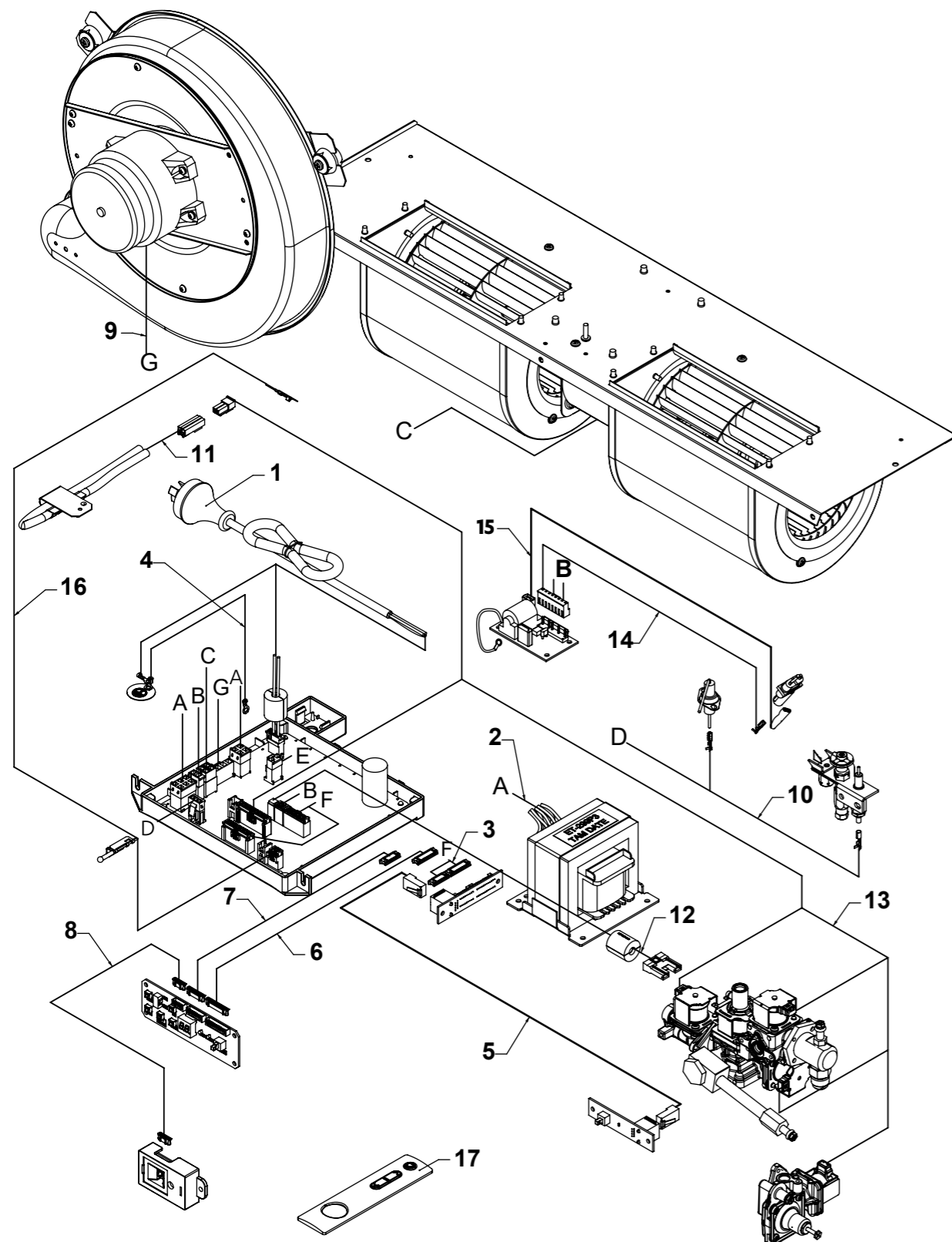
Does not include the gas control pipes

This diagram is provided to assist you to identify parts if replacement is necessary. Contact your place of purchase or the manufacturer to enquire about parts, availability and/or service.



Ref.	Description	Qty.	Part No.
142	Flame rod bracket universal control	1	13063
143	Flame rod	1	12620
144	Flame rod bracket	1	3068
145	Olive 6 mm	1	7519
146	Pilot body top convertible	1	7870
147	Electrode	1	7875
148	Electrode nut	1	7900
149	Spacer electrode pilot	1	7902
150	Electrode double	1	10265
151	Grommet silicone Ø4 hole	2	10293
152	Grommet silicone 2 Ø 1.8 hole	3	10294
153	Gasket injector block	1	11554
154	Pilot base universal control	1	13080
155	Bracket pilot	1	12460
156	Pilot convertible hood 4-flame	1	12463
157	Bracket electrode clamp	1	12461
158	O-ring M10B-1-6	1	6308
159	Gas injector block	1	12612
160	Injector block	1	12611
161	Gas tube pilot universal control	1	13079
162	Injector LPG 40	1	7905
163	Injector NG 75	1	7796

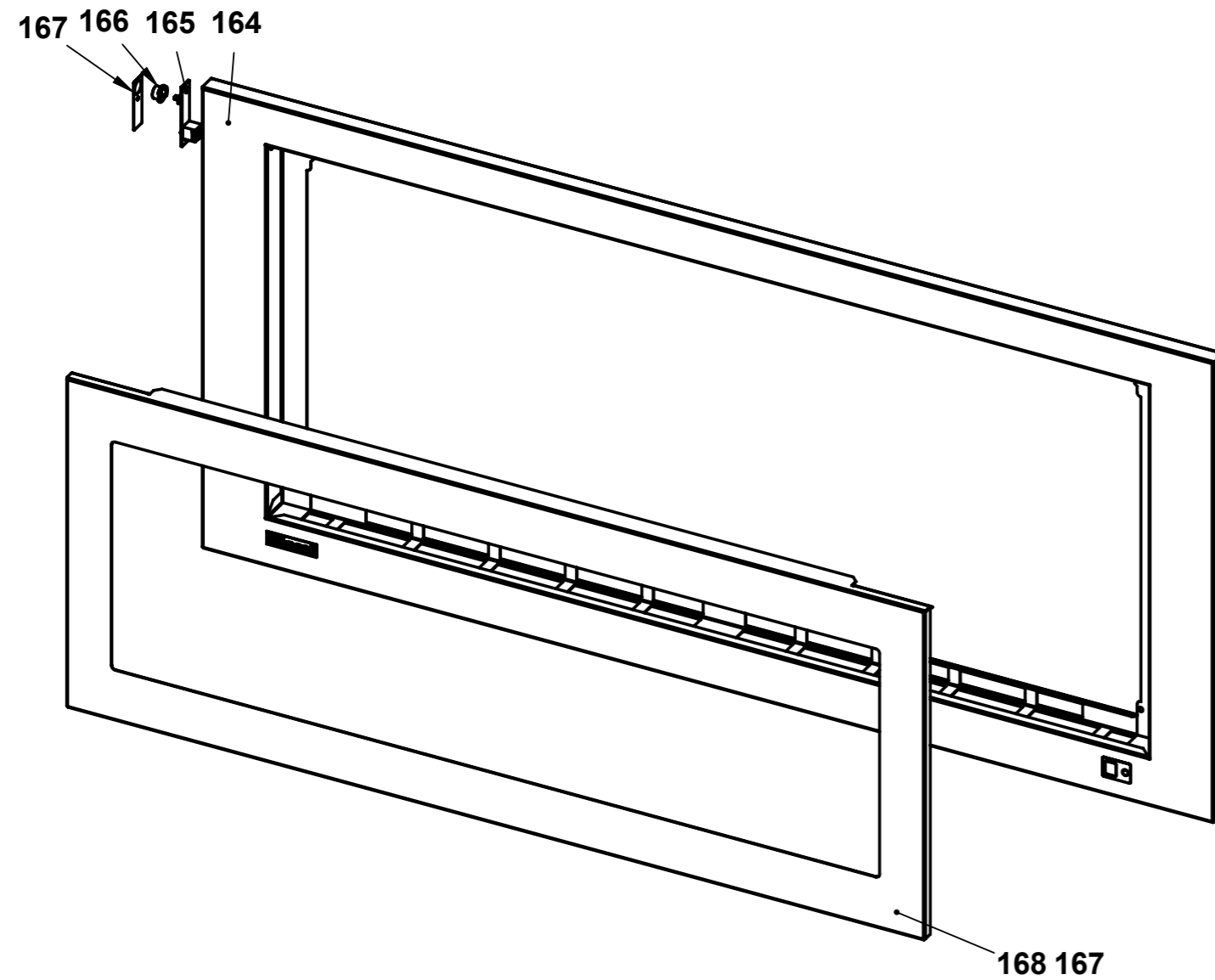
This diagram is provided to assist you to identify parts if replacement is necessary. Contact your place of purchase or the manufacturer to enquire about parts, availability and/or service.



Ref.	Description	Part No.
1	Power cord universal control black	13042
2	Transformer	10258
3	Harness control panel	10284
4	Wire earth combustion fan	10387
5	Cable CAT5 x 1.4 m	11925
6	Harness 12-way control panel	12492
7	Harness 9-way control panel	12496
8	Harness receiver	12656
9	Harness combustion fan (OH2)	12655
10	Harness flame rod	13008
11	Thermal fuse	13011
12	Harness POV	13012
13	Harness thermal fuse main valve	13010
14	Harness ignition	13031
15	HT lead	12657
16	Harness room temp. thermistor (OH1)	13483
17	Universal IR remote control	13040
-	Ferrite clamp x 2	13004

# Rinnai | Evolve 1252 gas fireplace

This diagram is provided to assist you to identify parts if replacement is necessary. Contact your place of purchase or the manufacturer to enquire about parts, availability and/or service.



Ref.	Description	Part No.
164	Frame outer galaxy black (incl. 165, 166, and 167)	13152
165	Main control switch	12999
166	Button	10250
167	Control label	12143
168	Frame inner galaxy black	12672
169	Frame inner stainless steel	12682