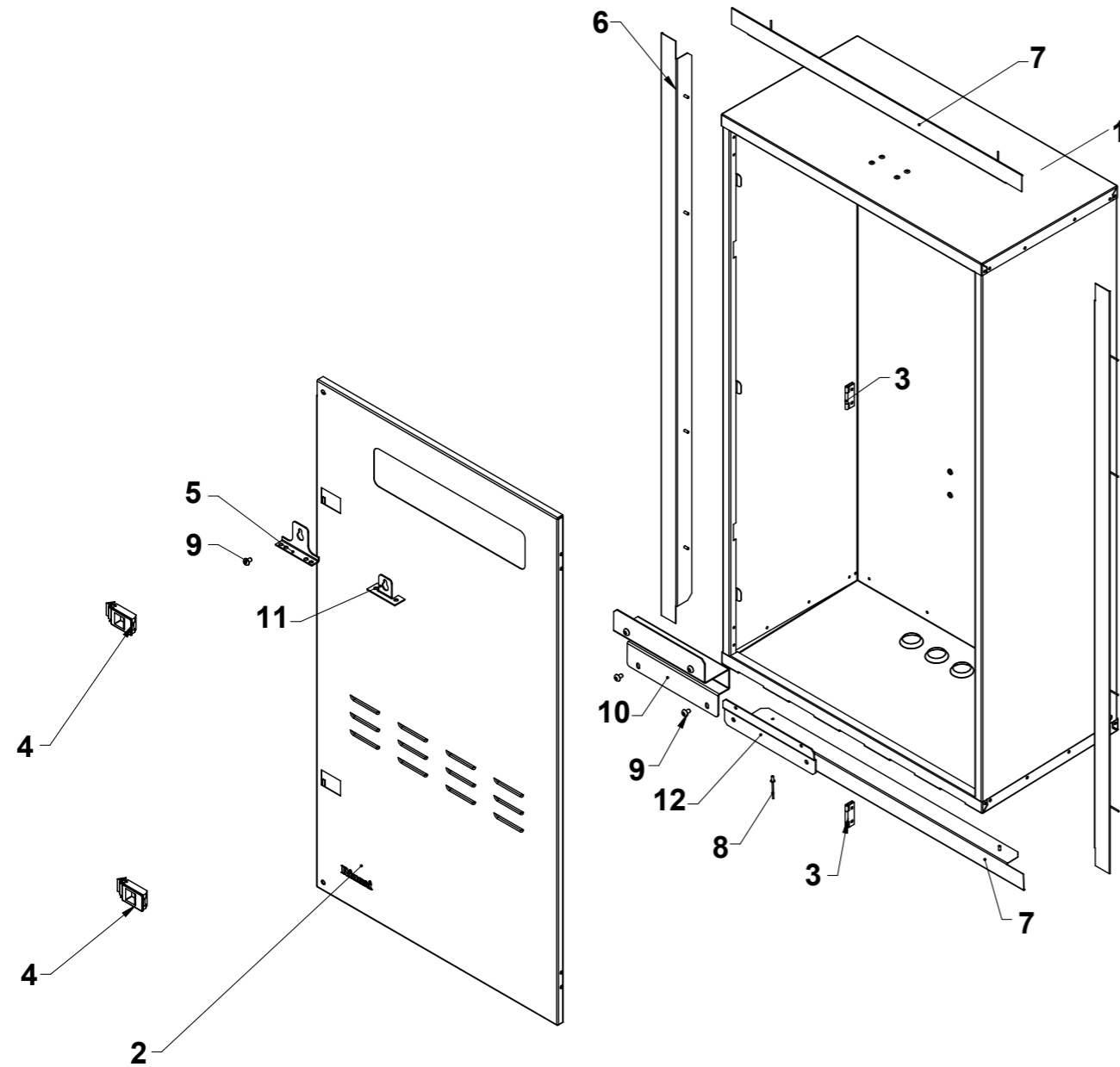


Recess box R1407 v2 / v3 (models 2 and 3)

This diagram is provided to assist you to identify parts if replacement is necessary. Contact your place of purchase or the manufacturer to enquire about parts, availability and/or service.

Please note: The spares detailed are for version/model two and three of the R1407 recess box, v2 manufactured from November 2019 onwards, and v3 manufactured from Aug 2021 onwards.



Ref.	Description	Qty.	Part No.
1	R1407 body	1	-
2	R1407 door	1	6109R
3	Stainless steel (304) hinges	2	6003
4	Black snap-lock latches	2	9609
5	INFINITY top keyhole mounting bracket	1	6103R
6	Side trims	2	5991R
7	Top and bottom trims	2	5992R
8	Stainless steel pop rivets	12	9309
9	Stainless steel (304) M5x8 screws	3	9110
10	EF26 adapter bracket	1	6118R
11	HD49kWe top mounting bracket	1	6119R
12	HD49kWe lower adapter bracket	1	6120R