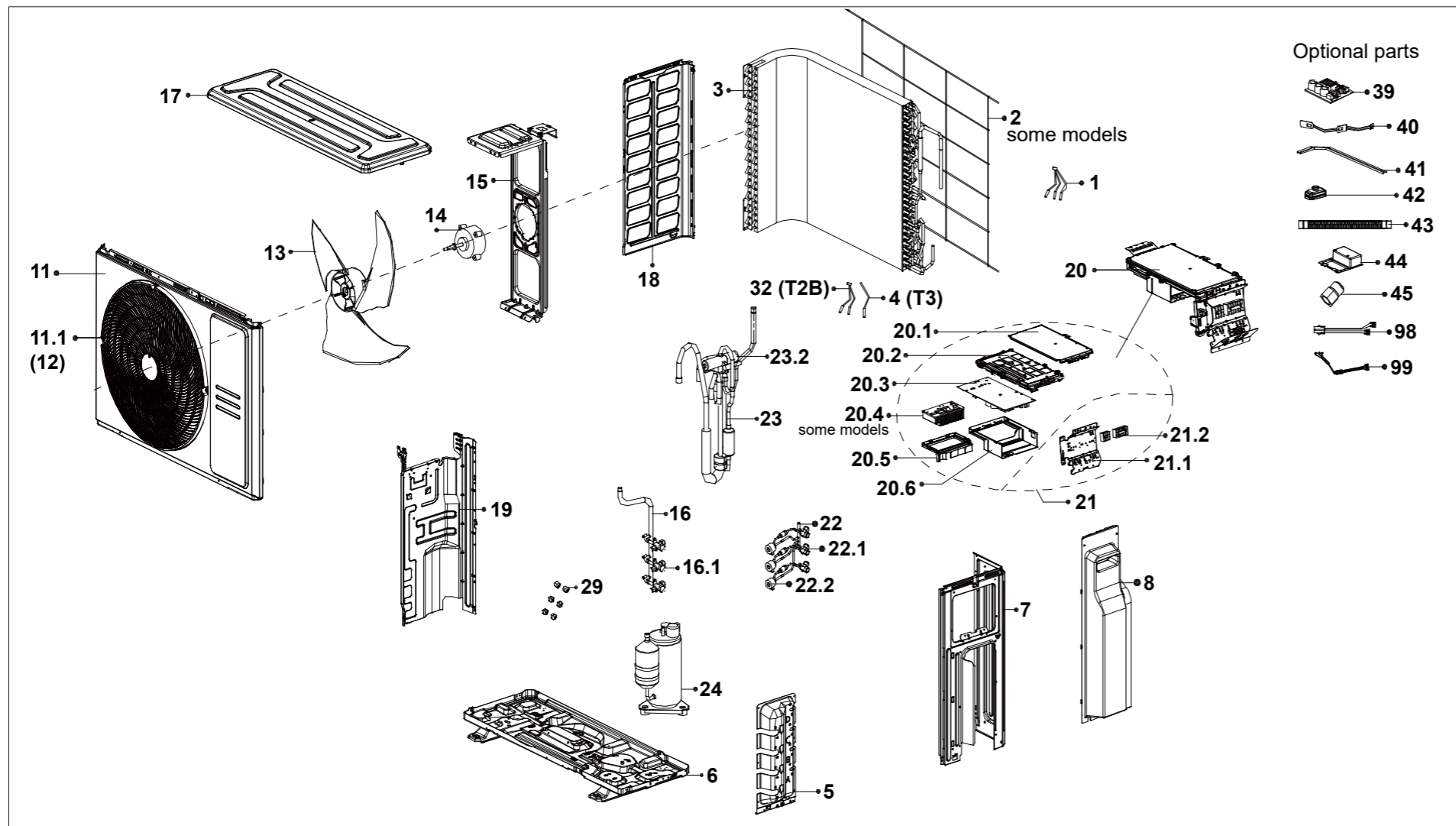
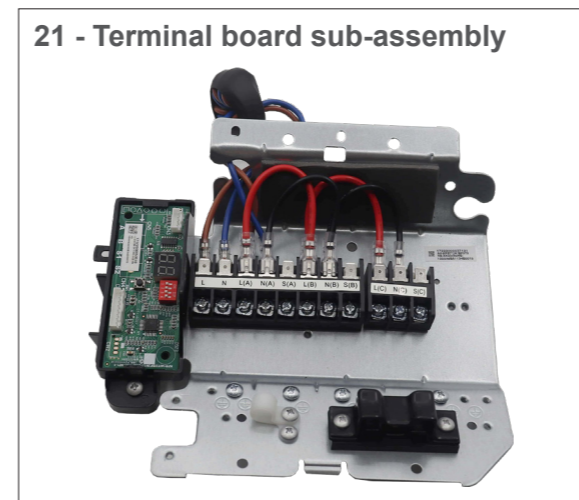
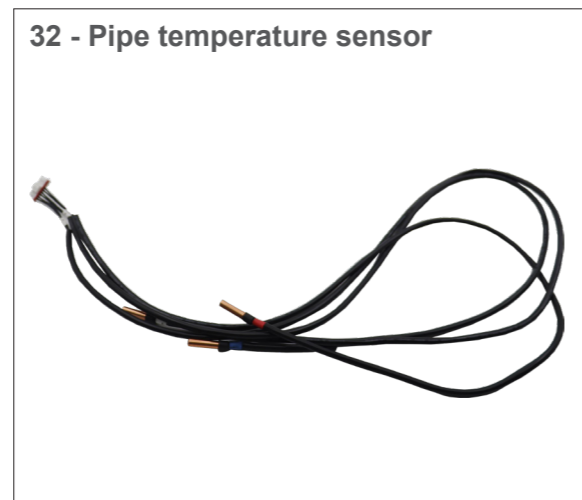


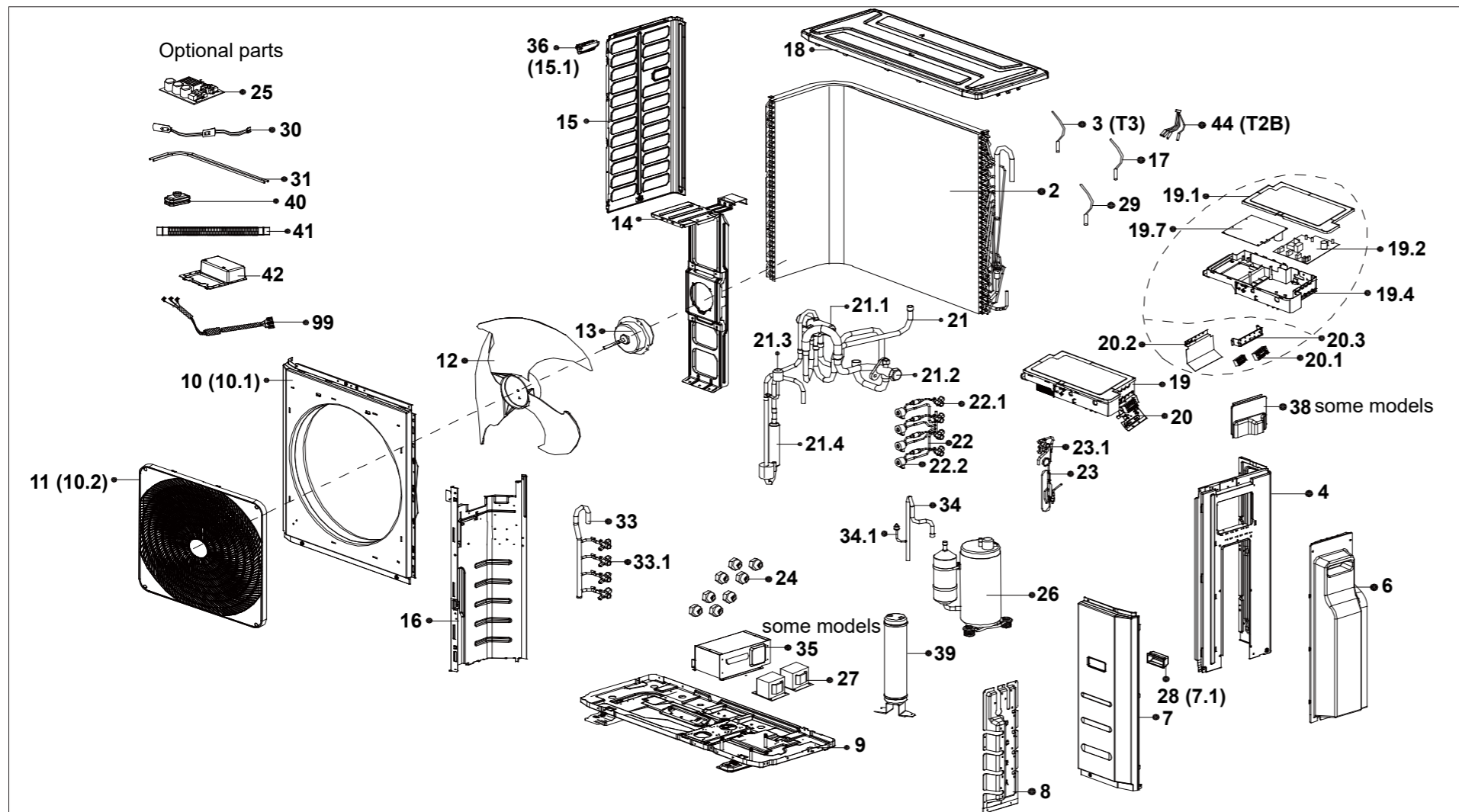
This diagram is provided to assist you to identify parts if replacement is necessary. Contact your place of purchase or the manufacturer to enquire about parts, availability and/or service.



Ref.	Description	Part No.
1	Combination sensor	14165
2	Rear net	
3	Condenser assembly	
5	Valve plate	
6	Chassis assembly	
7	Right clapboard assembly	
8	Big handle	
11	Front panel	
11.1	Air outlet grille	
13	Axial flow fan	
14	Brushless DC motor	14127
15	Fan motor support	
16	Gas valve assembly	
16.1	Gas valve	
17	Top cover assembly	
18	Left support	
19	Partition board assembly	
20	Electronic control box assembly	14176
20.1	Electronic control box cover	
20.2	Electronic installing box	
20.3	Main control board sub-assembly	
20.5	Electronic control box support	
20.6	Electronic installing box sub-assembly	
21	Terminal board sub-assembly	14173
21.1	Terminal board	
21.2	Terminal	
21.2	Wire joint	
21.3	Keyboard box sub-assembly	
21.3.1	Keyboard sub-assembly	
22	Liquid valve sub-assembly	
22.1	Liquid valve	
22.2	Electronic expansion valve	
23	4-way valve assembly	
23.2	4-way valve	
24	DC inverter rotary compressor	
29	Copper nut	
29	Copper nut	
32	Pipe temperature sensor	14155
44	DR module box sub-assembly	
45	Pipe joint sub-assembly	
45	Pipe joint sub-assembly	
99	Compressor wire sub-assembly	



This diagram is provided to assist you to identify parts if replacement is necessary. Contact your place of purchase or the manufacturer to enquire about parts, availability and/or service.



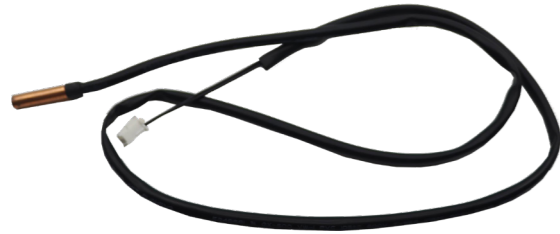
Ref.	Description	Part No.
1	Rear net	
2	Condenser assembly	
3	Pipe temperature sensor	14162
4	Rear right clapboard assembly	
6	Shield	
7	Front right clapboard assembly	
7.1	Handle	
8	Valve plate	
9	Chassis assembly	
10	Front panel	
11	Air outlet grille	14167
12	Axial flow fan	
13	Brushless DC motor	14149

Ref.	Description	Part No.
14	Fan motor support sub-assembly	
15	Left side plate assembly of cabinet	
15.1	Small handle	
16	Partition board sub-assembly	
17	Room temperature sensor	14164
18	Top cover assembly	
19	Electronic control box sub-assembly	14177
19.1	Cover of electronic control box	
19.2	Main control board sub-assembly	
19.4	Electronic installing box	
19.7	Inverter control board sub-assembly	
20	Terminal board sub-assembly	14174
20.1	Terminal	

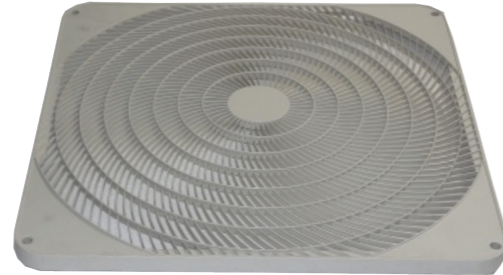
Ref.	Description	Part No.
20.1	Terminal	
20.2	Terminal board	
20.3	Terminal board	
21	4-way valve assembly	
21.1	4-way valve	
21.2	Gas valve	
21.3	Pressure switch	14183
21.4	Muffler sub-assembly	
22	Liquid valve assembly	
22.1	Liquid valve	
22.2	Electronic expansion valve sub-assembly	
23	Liquid valve assembly	
23.1	Liquid valve	
24	Copper nut	
24	Copper nut	
24	Copper nut	
26	DC inverter rotary compressor	
27	Reactor	
29	Discharge temperature sensor	14159
33	Gas valve assembly	
33.1	Gas valve	
33.1	Gas valve	
34	Suction pipe assembly	
34.1	Pressure switch	14182
39	Accumulator for cylinder	
42	DR module box sub-assembly	
43	Pipe joint sub-assembly	
43	Pipe joint sub-assembly	
43	Pipe joint sub-assembly	
43	Pipe joint sub-assembly	
44	Pipe temperature sensor	14154
99	Compressor wire sub-assembly	

This diagram is provided to assist you to identify parts if replacement is necessary. Contact your place of purchase or the manufacturer to enquire about parts, availability and/or service.

3 - Pipe temperature sensor (14162)



11 - Air outlet grille (14167)



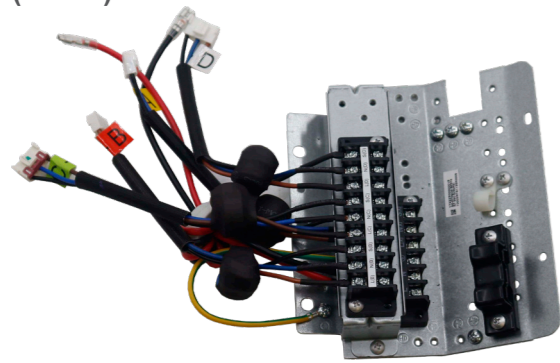
13 - Brushless DC motor (14149)



17 - Room temperature sensor (14164)



20 - Terminal board sub-assembly (14174)



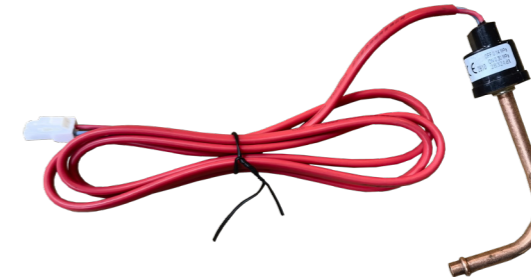
21.3 - Pressure switch (14183)



29 - Discharge temp. sensor (14159)



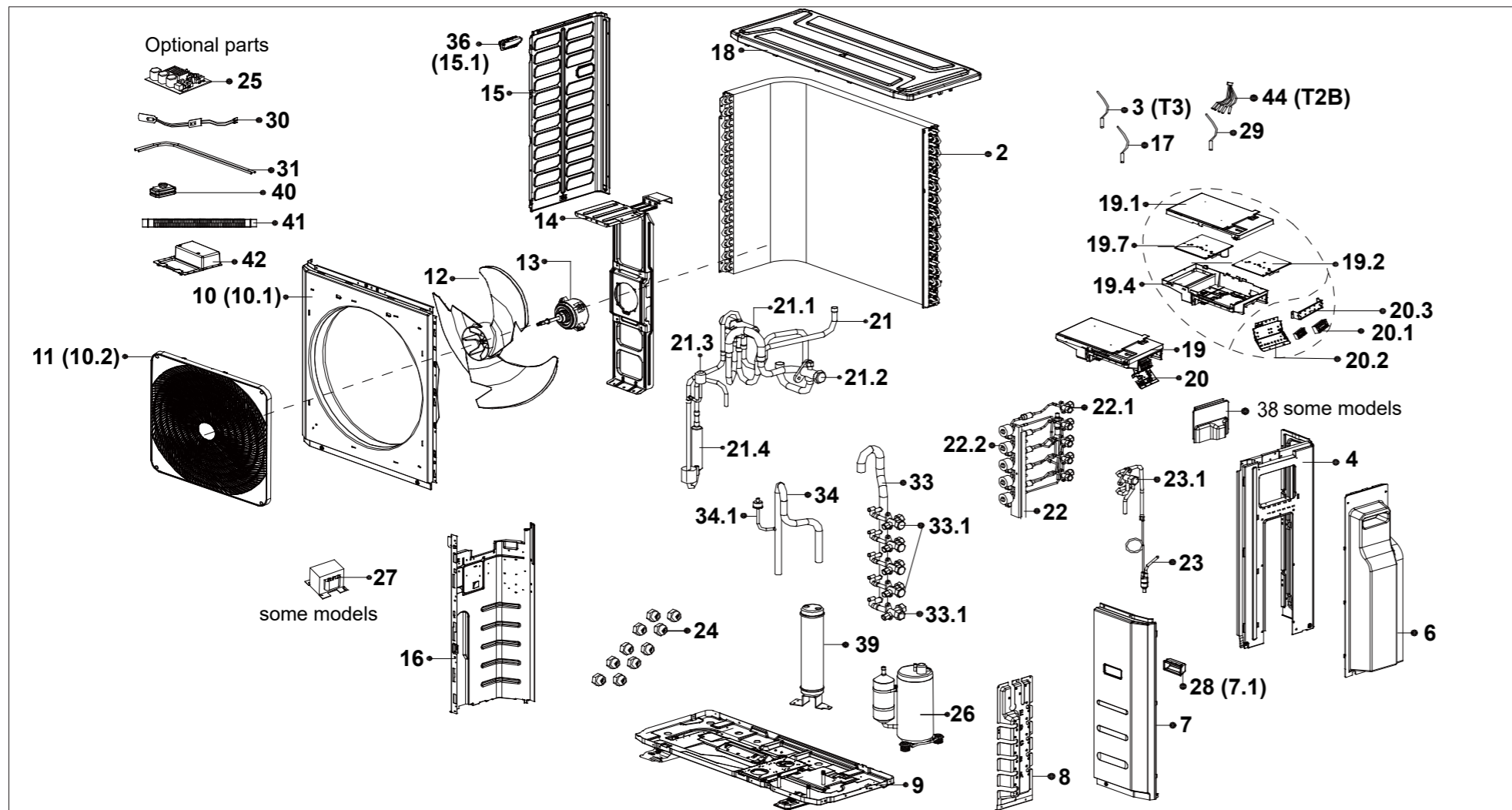
34.1 - Pressure switch (14182)



44 - Pipe temperature sensor (14154)



This diagram is provided to assist you to identify parts if replacement is necessary. Contact your place of purchase or the manufacturer to enquire about parts, availability and/or service.



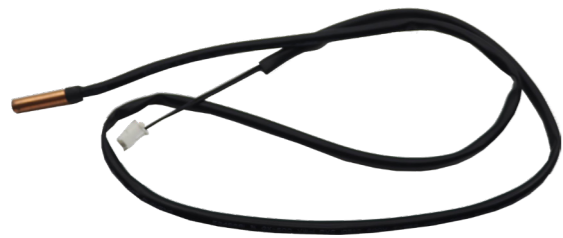
Ref.	Description	Part No.
20.2	Terminal board	
20.3	Terminal board	
21	4-way valve assembly	
21.1	4-way valve	
21.2	Gas valve	
21.3	Pressure switch	14183
21.4	Muffler sub-assembly	
22	Liquid valve assembly	
22.1	Liquid valve	
22.2	Electronic expansion valve sub-assembly	
23	Liquid valve assembly	
23.1	Liquid valve	
24	Copper nut	
24	Copper nut	
24	Copper nut	
26	DC inverter rotary compressor	
27	Reactor	
29	Discharge temperature sensor	14159
33	Gas valve assembly	
33.1	Gas valve	
33.1	Gas valve	
34	Suction pipe assembly	
34.1	Pressure switch	
39	Accumulator for cylinder	
42	DR module box sub-assembly	
43	Pipe joint sub-assembly	
43	Pipe joint sub-assembly	
43	Pipe joint sub-assembly	
43	Pipe joint sub-assembly	
44	Pipe temperature sensor	
99	Compressor wire sub-assembly	

Ref.	Description	Part No.
1	Rear net	
2	Condenser assembly	
3	Pipe temperature sensor	14162
4	Rear right clapboard assembly	
6	Shield	
7	Front right clapboard assembly	
7.1	Handle	
8	Valve plate	
9	Chassis assembly	
10	Front panel	
11	Air outlet grille	
12	Axial flow fan	
13	Brushless DC motor	14149

Ref.	Description	Part No.
14	Fan motor support sub-assembly	
15	Left side plate assembly of cabinet	
15.1	Small handle	
16	Partition board sub-assembly	
17	Room temperature sensor	14160
18	Top cover assembly	
19	Electronic control box sub-assembly	14178
19.1	Cover of electronic control box	
19.2	Main control board sub-assembly	
19.4	Electronic installing box	
19.7	Inverter control board sub-assembly	
20	Terminal board sub-assembly	14175
20.1	Terminal	

This diagram is provided to assist you to identify parts if replacement is necessary. Contact your place of purchase or the manufacturer to enquire about parts, availability and/or service.

3 - Pipe temperature sensor (14162)



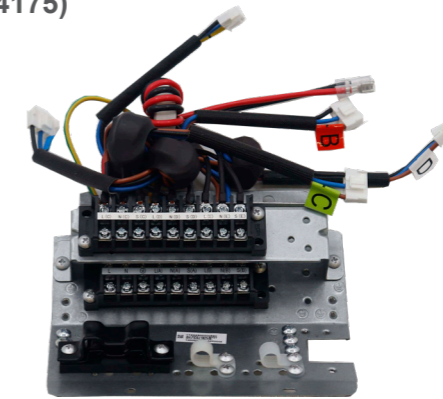
13 - Brushless DC motor (14149)



17 - Room temperature sensor (14160)



20 - Terminal board sub-assembly (14175)



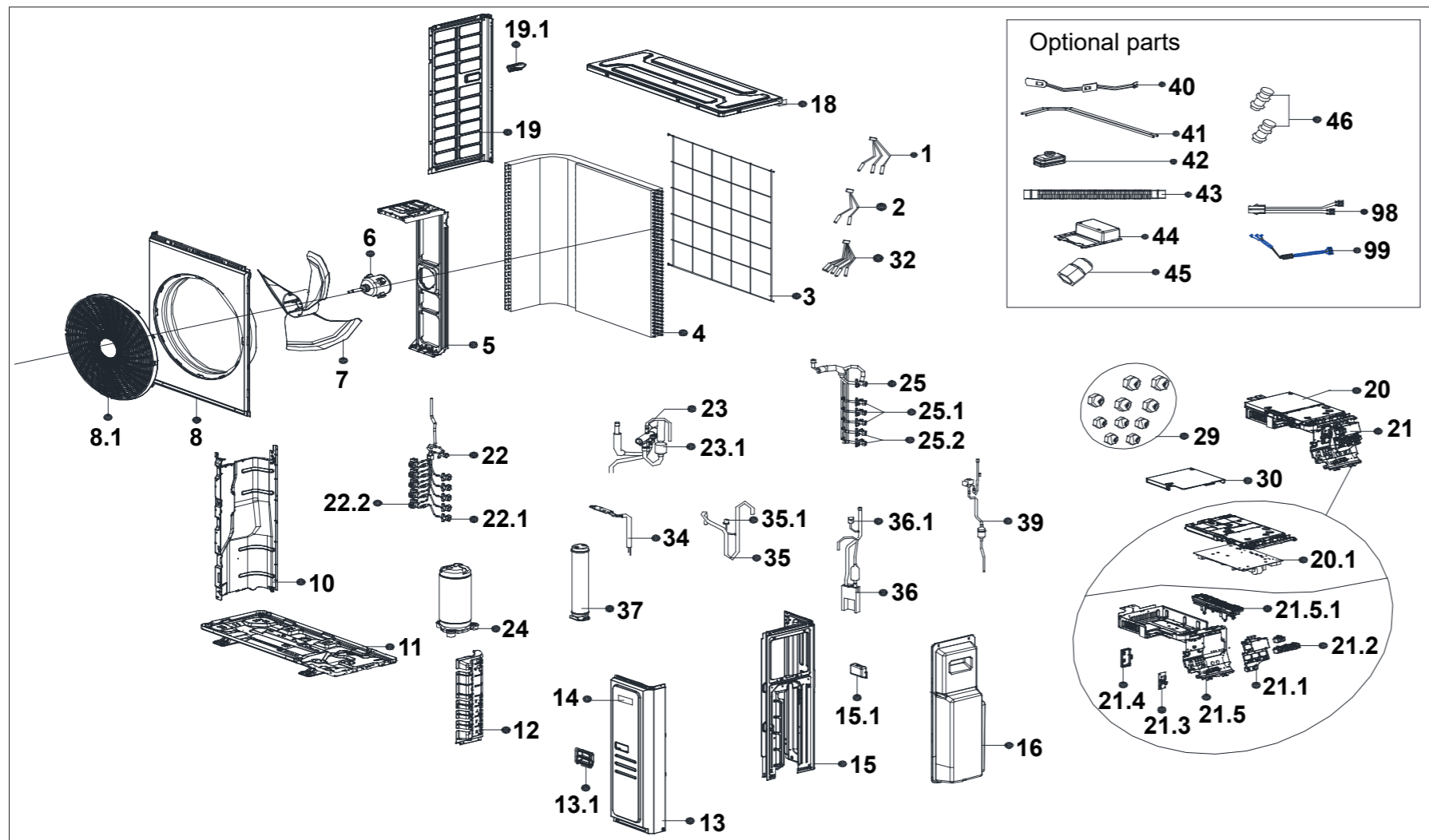
21.3 - Pressure switch (14183)



29 - Discharge temp. sensor (14159)



This diagram is provided to assist you to identify parts if replacement is necessary. Contact your place of purchase or the manufacturer to enquire about parts, availability and/or service.



Ref.	Description	Part No.
21.5	Electronic installing box sub-assembly	
21.5.1	U-type support with copper pipe	
22	Liquid valve assembly	
22.1	Liquid valve	
22.2	Direct driven electronic expansion valve	
23	4-way valve assembly	
23.1	Muffler	
24	DV inverter rotary compressor	
25	Gas valve assembly	
25.1	Gas valve	
25.2	Gas valve	
29	Copper nut	
29	Copper nut	
29	Copper nut	
30	Cover plate assembly	
32	Pipe temperature sensor	14216
34	Radiator sub-assembly	
35	Suction pipe assembly	
36	Discharge pipe assembly	
36.1	Pressure controller	
37	Gas-liquid separator	
39	Electronic expansion valve sub-assembly	
45	Hose joint assembly	
45	Pipe joint sub-assembly	
45	Hose joint assembly	
45	Hose joint assembly	

Ref.	Description	Part No.
1	Combination sensor	14210
2	Pipe temperature sensor	14211
3	Rear net	
4	Condenser assembly	
5	Fan motor support sub-assembly	
6	Brushless DC motor	14212
7	Axial flow fan	
8	Front panel assembly	
8.1	Air outlet grille	14213
10	Partition board assembly	
11	Chassis assembly	
12	Valve plate	
13	Front right clapboard assembly	

Ref.	Description	Part No.
14	Outdoor unit data plate	
15	Rear right clapboard assembly	
15.1	Small handle	
16	Big handle assembly	
18	Top cover assembly	
19	Left side plate assembly of cabinet	
19.1	Small handle	
20	Electronic control box sub-assembly	14214
21	Terminal board sub-assembly	14215
21.2	Wire joint	
21.2	Wire joint	
21.3	Key board sub-assembly	
21.4	Electronic installing box	

1 - Combination sensor (14210)

