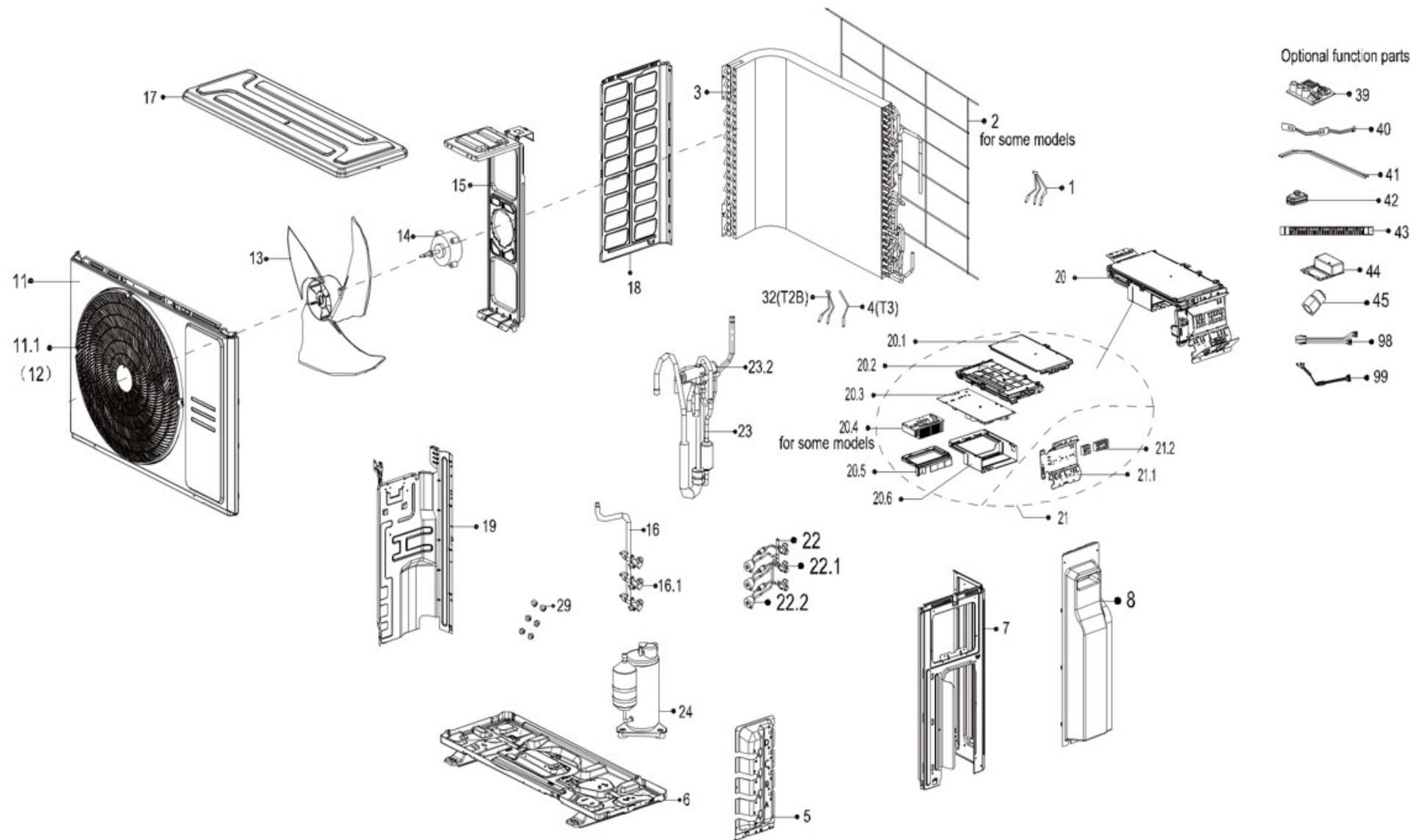
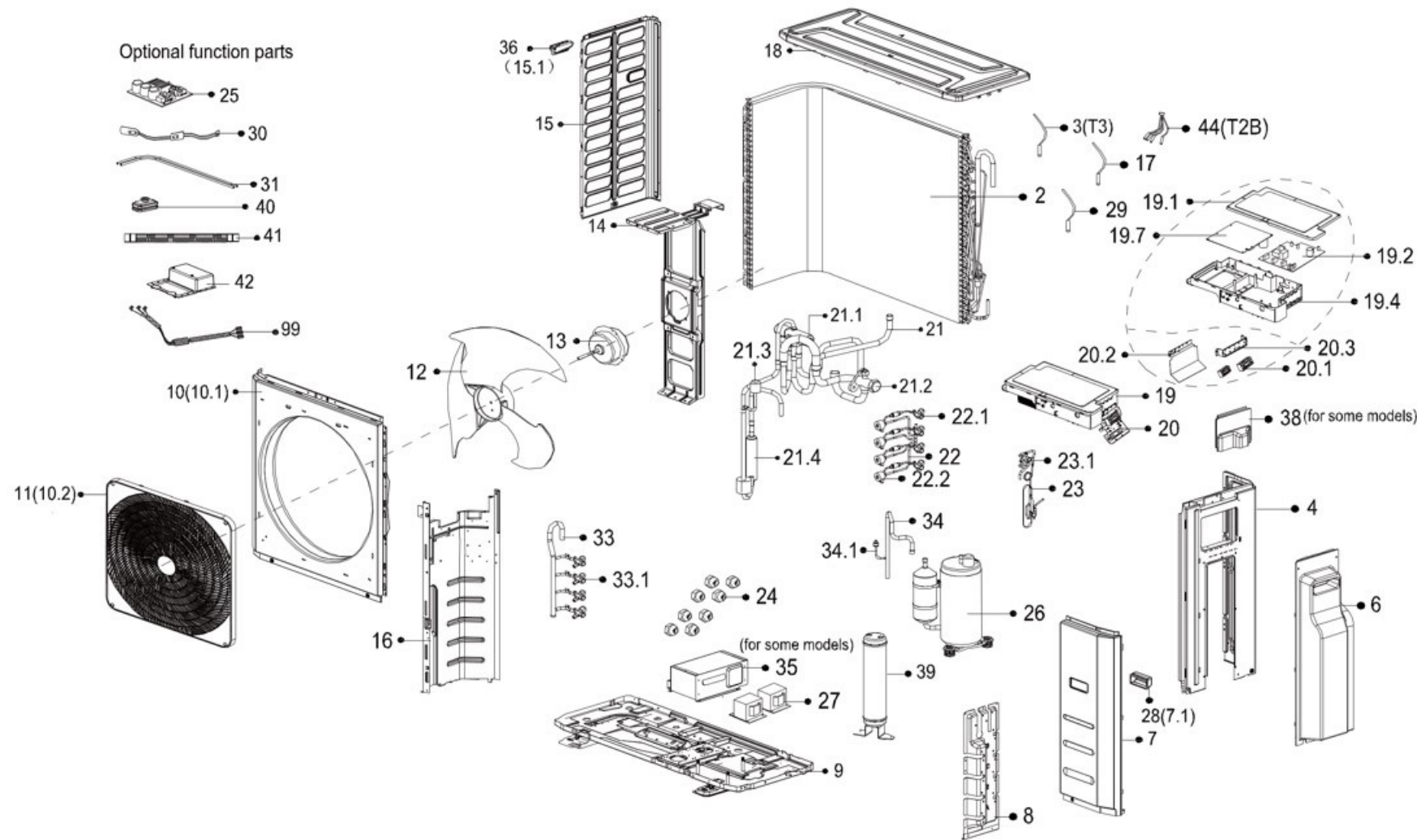


This diagram is provided to assist you to identify parts if replacement is necessary. Contact your place of purchase or the manufacturer to enquire about parts, availability and/or service.



| Ref. | Description | Part No. |
|--------|--|----------|
| 1 | Combination sensor | 14165 |
| 2 | Rear net | |
| 3 | Condenser assembly | |
| 5 | Valve plate | |
| 6 | Chassis assembly | |
| 7 | Right clapboard assembly | |
| 8 | Big handle | |
| 11 | Front panel | |
| 11.1 | Air outlet grille | |
| 13 | Axial flow fan | |
| 14 | Brushless DC motor | 14127 |
| 15 | Fan motor support | |
| 16 | Gas valve assembly | |
| 16.1 | Gas valve | |
| 17 | Top cover assembly | |
| 18 | Left support | |
| 19 | Partition board assembly | |
| 20 | Electronic control box assembly | 14176 |
| 20.1 | Electronic control box cover | |
| 20.2 | Electronic installing box | |
| 20.3 | Main control board sub-assembly | |
| 20.5 | Electronic control box support | |
| 20.6 | Electronic installing box sub-assembly | |
| 21 | Terminal board sub-assembly | 14173 |
| 21.1 | Terminal board | |
| 21.2 | Terminal | |
| 21.2 | Wire joint | |
| 21.3 | Keyboard box sub-assembly | |
| 21.3.1 | Keyboard sub-assembly | |
| 22 | Liquid valve sub-assembly | |
| 22.1 | Liquid valve | |
| 22.2 | Electronic expansion valve | |
| 23 | 4-way valve assembly | |
| 23.2 | 4-way valve | |
| 24 | DC inverter rotary compressor | |
| 29 | Copper nut | |
| 29 | Copper nut | |
| 32 | Pipe temperature sensor | 14155 |
| 44 | DR module box sub-assembly | |
| 45 | Pipe joint sub-assembly | |
| 45 | Pipe joint sub-assembly | |
| 99 | Compressor wire sub-assembly | |

This diagram is provided to assist you to identify parts if replacement is necessary. Contact your place of purchase or the manufacturer to enquire about parts, availability and/or service.

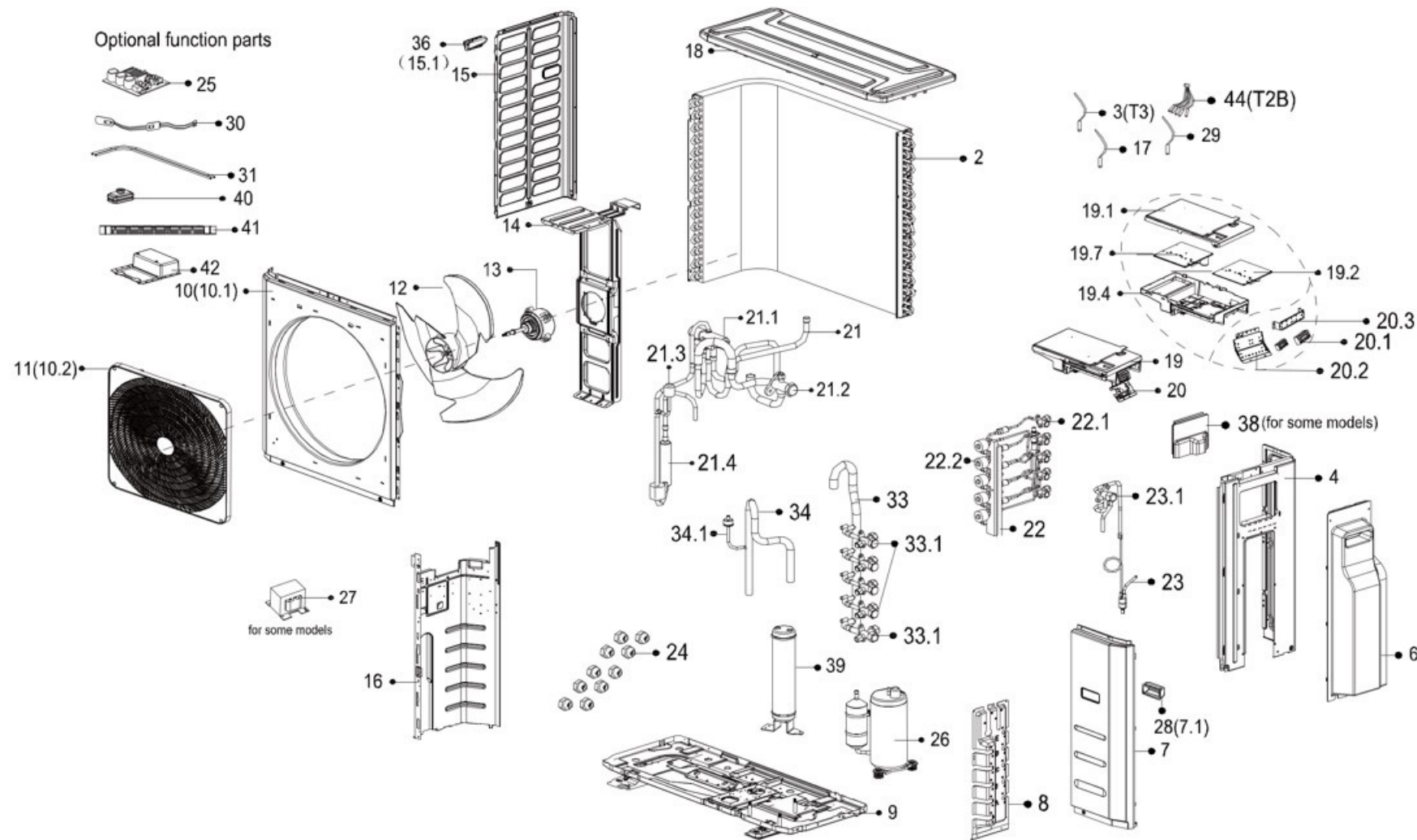


| Ref. | Description | Part No. |
|------|--------------------------------|----------|
| 1 | Rear net | |
| 2 | Condenser assembly | |
| 3 | Pipe temperature sensor | 14162 |
| 4 | Rear right clapboard assembly | |
| 6 | Shield | |
| 7 | Front right clapboard assembly | |
| 7.1 | Handle | |
| 8 | Valve plate | |
| 9 | Chassis assembly | |
| 10 | Front panel | |
| 11 | Air outlet grille | 14167 |
| 12 | Axial flow fan | |
| 13 | Brushless DC motor | 14149 |

| Ref. | Description | Part No. |
|------|-------------------------------------|----------|
| 14 | Fan motor support sub-assembly | |
| 15 | Left side plate assembly of cabinet | |
| 15.1 | Small handle | |
| 16 | Partition board sub-assembly | |
| 17 | Room temperature sensor | 14164 |
| 18 | Top cover assembly | |
| 19 | Electronic control box sub-assembly | 14177 |
| 19.1 | Cover of electronic control box | |
| 19.2 | Main control board sub-assembly | |
| 19.4 | Electronic installing box | |
| 19.7 | Inverter control board sub-assembly | |
| 20 | Terminal board sub-assembly | 14174 |
| 20.1 | Terminal | |

| Ref. | Description | Part No. |
|------|---|----------|
| 20.1 | Terminal | |
| 20.2 | Terminal board | |
| 20.3 | Terminal board | |
| 21 | 4-way valve assembly | |
| 21.1 | 4-way valve | |
| 21.2 | Gas valve | |
| 21.3 | Pressure switch | 14183 |
| 21.4 | Muffler sub-assembly | |
| 22 | Liquid valve assembly | |
| 22.1 | Liquid valve | |
| 22.2 | Electronic expansion valve sub-assembly | |
| 23 | Liquid valve assembly | |
| 23.1 | Liquid valve | |
| 24 | Copper nut | |
| 24 | Copper nut | |
| 24 | Copper nut | |
| 26 | DC inverter rotary compressor | |
| 27 | Reactor | |
| 29 | Discharge temperature sensor | 14159 |
| 33 | Gas valve assembly | |
| 33.1 | Gas valve | |
| 33.1 | Gas valve | |
| 34 | Suction pipe assembly | |
| 34.1 | Pressure switch | 14182 |
| 39 | Accumulator for cylinder | |
| 42 | DR module box sub-assembly | |
| 43 | Pipe joint sub-assembly | |
| 43 | Pipe joint sub-assembly | |
| 43 | Pipe joint sub-assembly | |
| 43 | Pipe joint sub-assembly | |
| 44 | Pipe temperature sensor | 14154 |
| 99 | Compressor wire sub-assembly | |

This diagram is provided to assist you to identify parts if replacement is necessary. Contact your place of purchase or the manufacturer to enquire about parts, availability and/or service.

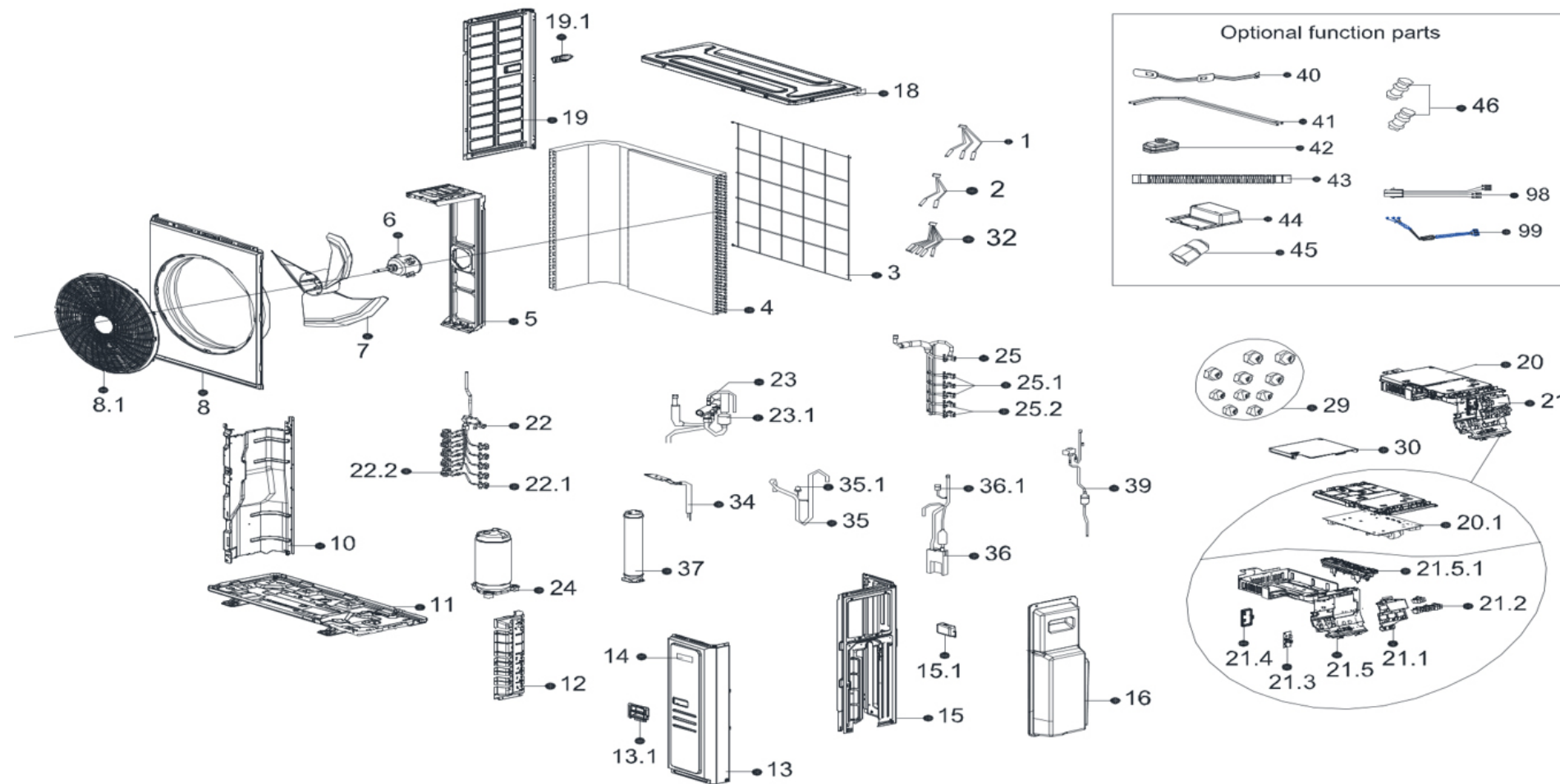


| Ref. | Description | Part No. |
|------|--------------------------------|----------|
| 1 | Rear net | |
| 2 | Condenser assembly | |
| 3 | Pipe temperature sensor | 14162 |
| 4 | Rear right clapboard assembly | |
| 6 | Shield | |
| 7 | Front right clapboard assembly | |
| 7.1 | Handle | |
| 8 | Valve plate | |
| 9 | Chassis assembly | |
| 10 | Front panel | |
| 11 | Air outlet grille | |
| 12 | Axial flow fan | |
| 13 | Brushless DC motor | 14149 |

| Ref. | Description | Part No. |
|------|-------------------------------------|----------|
| 14 | Fan motor support sub-assembly | |
| 15 | Left side plate assembly of cabinet | |
| 15.1 | Small handle | |
| 16 | Partition board sub-assembly | |
| 17 | Room temperature sensor | 14160 |
| 18 | Top cover assembly | |
| 19 | Electronic control box sub-assembly | 14178 |
| 19.1 | Cover of electronic control box | |
| 19.2 | Main control board sub-assembly | |
| 19.4 | Electronic installing box | |
| 19.7 | Inverter control board sub-assembly | |
| 20 | Terminal board sub-assembly | 14175 |
| 20.1 | Terminal | |

| Ref. | Description | Part No. |
|------|---|----------|
| 20.2 | Terminal board | |
| 20.3 | Terminal board | |
| 21 | 4-way valve assembly | |
| 21.1 | 4-way valve | |
| 21.2 | Gas valve | |
| 21.3 | Pressure switch | 14183 |
| 21.4 | Muffler sub-assembly | |
| 22 | Liquid valve assembly | |
| 22.1 | Liquid valve | |
| 22.2 | Electronic expansion valve sub-assembly | |
| 23 | Liquid valve assembly | |
| 23.1 | Liquid valve | |
| 24 | Copper nut | |
| 24 | Copper nut | |
| 24 | Copper nut | |
| 26 | DC inverter rotary compressor | |
| 27 | Reactor | |
| 29 | Discharge temperature sensor | 14159 |
| 33 | Gas valve assembly | |
| 33.1 | Gas valve | |
| 33.1 | Gas valve | |
| 34 | Suction pipe assembly | |
| 34.1 | Pressure switch | |
| 39 | Accumulator for cylinder | |
| 42 | DR module box sub-assembly | |
| 43 | Pipe joint sub-assembly | |
| 43 | Pipe joint sub-assembly | |
| 43 | Pipe joint sub-assembly | |
| 43 | Pipe joint sub-assembly | |
| 44 | Pipe temperature sensor | |
| 99 | Compressor wire sub-assembly | |

This diagram is provided to assist you to identify parts if replacement is necessary. Contact your place of purchase or the manufacturer to enquire about parts, availability and/or service.



| Ref. | Description | Part No. |
|--------|--|----------|
| 21.5 | Electronic installing box sub-assembly | |
| 21.5.1 | U-type support with copper pipe | |
| 22 | Liquid valve assembly | |
| 22.1 | Liquid valve | |
| 22.2 | Direct driven electronic expansion valve | |
| 23 | 4-way valve assembly | |
| 23.1 | Muffler | |
| 24 | DV inverter rotary compressor | |
| 25 | Gas valve assembly | |
| 25.1 | Gas valve | |
| 25.2 | Gas valve | |
| 29 | Copper nut | |
| 29 | Copper nut | |
| 29 | Copper nut | |
| 30 | Cover plate assembly | |
| 32 | Pipe temperature sensor | 14216 |
| 34 | Radiator sub-assembly | |
| 35 | Suction pipe assembly | |
| 36 | Discharge pipe assembly | |
| 36.1 | Pressure controller | |
| 37 | Gas-liquid separator | |
| 39 | Electronic expansion valve sub-assembly | |
| 45 | Hose joint assembly | |
| 45 | Pipe joint sub-assembly | |
| 45 | Hose joint assembly | |
| 45 | Hose joint assembly | |

| Ref. | Description | Part No. |
|------|--------------------------------|----------|
| 1 | Combination sensor | 14210 |
| 2 | Pipe temperature sensor | 14211 |
| 3 | Rear net | |
| 4 | Condenser assembly | |
| 5 | Fan motor support sub-assembly | |
| 6 | Brushless DC motor | 14212 |
| 7 | Axial flow fan | |
| 8 | Front panel assembly | |
| 8.1 | Air outlet grille | 14213 |
| 10 | Partition board assembly | |
| 11 | Chassis assembly | |
| 12 | Valve plate | |
| 13 | Front right clapboard assembly | |

| Ref. | Description | Part No. |
|------|-------------------------------------|----------|
| 14 | Outdoor unit data plate | |
| 15 | Rear right clapboard assembly | |
| 15.1 | Small handle | |
| 16 | Big handle assembly | |
| 18 | Top cover assembly | |
| 19 | Left side plate assembly of cabinet | |
| 19.1 | Small handle | |
| 20 | Electronic control box sub-assembly | 14214 |
| 21 | Terminal board sub-assembly | 14215 |
| 21.2 | Wire joint | |
| 21.2 | Wire joint | |
| 21.3 | Key board sub-assembly | |
| 21.4 | Electronic installing box | |