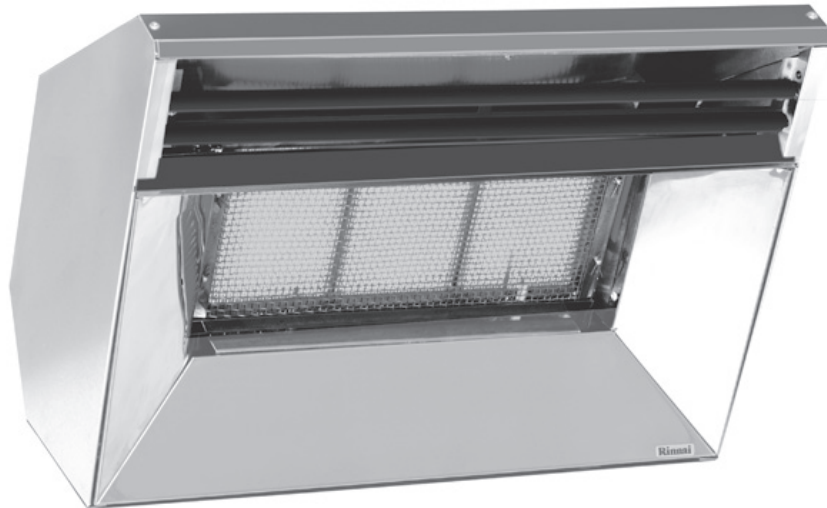


Operation and Installation Manual



Model Number
ODHRAD3EN

Suitable for:

- Domestic Use outdoor only
- Commercial Use outdoor and indoors (subject to room size)

Not recommended for locations directly near the sea or areas continually subjected to strong winds.

Appliance must be installed, commissioned and serviced by a licensed tradesperson in accordance with these instructions and all applicable local rules and regulations.

Installer, please leave this manual with the customer.



LIMITED WARRANTY

Rinnai brings you peace of mind
with a 2 year minimum warranty.

TERMS AND CONDITIONS

1. During the 24 month period from date of purchase and subject to clauses 2 and 3 below, Rinnai New Zealand Limited ("Rinnai") will, at its own discretion, either replace or repair any defective product at no charge to the customer.
 2. This warranty covers manufacturing defects only. This warranty will not apply if (for example) the product has been improperly installed or is otherwise installed contrary to manufacturer's recommendations, has been damaged during or after installation, has not been operated in accordance with operating instructions, or has been subjected to damage or abuse beyond that expected from conditions of normal use.
 3. Warranty claims may be invalid if not accompanied by details of the installing or supervising gas fitter's registration number and the gas fitting certification number.
 4. This warranty commences from the date of purchase. Proof of purchase is required at the time of any warranty claim.
 5. Servicing of the product is to be carried out by a Rinnai authorised service centre.
- All Rinnai appliances meet or exceed the safety standards required by New Zealand gas and electrical regulations. The company is constantly improving its products and as such specifications are subject to change or variation without notice.

Please keep these instructions in a safe place for future reference.

RECORD AND ATTACH YOUR PROOF OF PURCHASE BELOW:

Your Retailer: _____

Name: _____

Address: _____

Telephone:(_____) _____

Date of Purchase: _____ / _____ / _____

Rinnai

Contents

Customer Information

Limited Warranty	2
Features	4
Appliance Location - Important	4
Definition of an Outdoor Area	5
General Information	6
Control Panel Operation	7
Remote Control	8

Installation Information

Before Installation	9
Specification Information	9
Procedure	10
Wiring Diagram	11
Installer Details	11
Customer Contacts	12

WARNING

Improper installation, adjustment, alteration, service or maintenance can cause property damage, personal injury or loss of life.



For assistance or additional information contact Rinnai on 0800 RINNAI (0800 746 624).

Features

Congratulations on the purchase of your Rinnai Electronic Super Ray heater. Our customers have enjoyed many years of enjoyment with our standard Super Ray range with the traditional pull cord. We've now added an electronic version to the Super Ray family which will make it even easier to use and operate.

Some of the features that make this model a reliable, safe and effective heater:

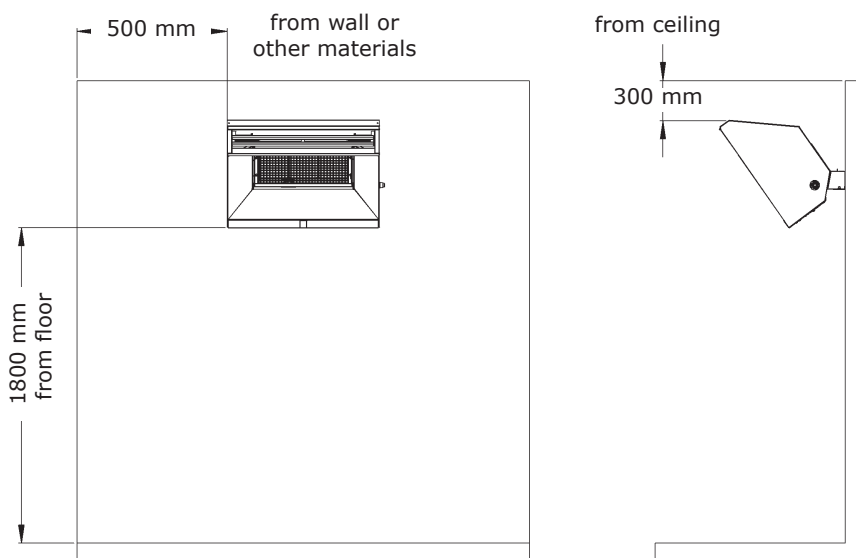
- high efficient radiant plaques (25 MJ/h on high and 16 MJ/h on low)
- long lasting stainless steel construction
- easy to use electronic ignition with remote control
- variable temperature control with high and low settings
- inbuilt safety features with tip over switch and oxygen depletion system (ODS)

Appliance Location - Important

As a gas appliance there are some stringent criteria governing where it can be located. In addition to the clearances stated below you must also ensure the following:

- For commercial indoor use this appliance must not be used in a room smaller than 125 m³ and ventilation requirements must comply with NZS:5261 2.6.6
- Outdoor locations comply with 'Definition of an Outdoor Area' on following page
- Outdoor use only for domestic applications

The diagram below shows the required minimum clearances for the appliance to walls, floor and ceiling or loose materials such as umbrellas, flags etc.



The heater discharges products of combustion from the top of the unit. If ceiling clearance is not maintained this could potentially be a fire hazard and surfaces may discolour.

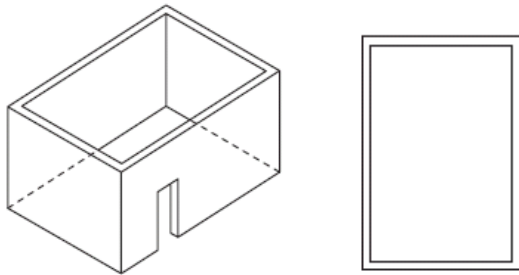
The appliance heats via infra-red rays which discharge heat energy upon striking a surface. They do not pass through solid materials. When installing the heater obstructions to the path of the rays must be taken into account.

Definition of an Outdoor Area

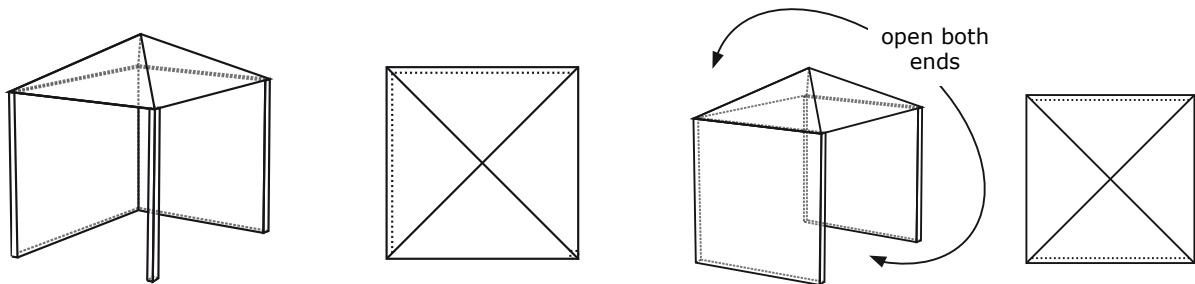
This appliance shall only be used in an above ground open air situation with natural ventilation, without stagnant areas and where gas leakage and products of combustion are rapidly dispersed by wind and natural convection.

Any enclosure in which the appliance is used shall comply with one of the following:

- With walls on all sides, but at least one permanent opening at ground level and no overhead cover

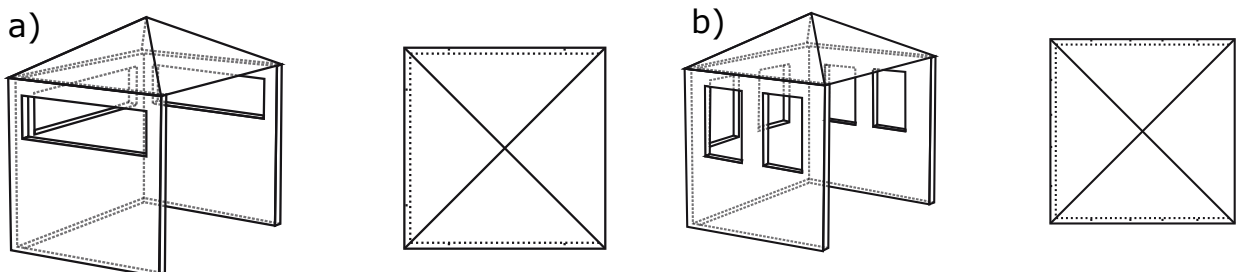


- With a partial enclosure that includes an overhead cover and no more than 2 walls



- Within a partial enclosure that includes an overhead cover and more than 2 walls, the following shall apply:

- a) at least 25% of the total wall area is completely open
- b) at least 30% of the remaining wall area is open and unrestricted



- In the case of balconies, at least 20% of the total wall area shall be and remain open and unrestricted

General Information

Before operation



Read these instructions to get an overview of how to operate, maintain and service your Rinnai Electronic Super Ray.

Maintenance and servicing

Maintenance

Although all external covers are made from stainless steel, it should be cleaned regularly to keep the exterior looking good. This is especially important in coastal areas.

Stainless steel should be cleaned using warm water and a mild detergent. Never use products containing abrasive liquid cleaners.

Servicing



Rinnai has a service and spare parts network with personnel who are fully trained and equipped to give the best advice on your Rinnai appliance. If your appliance needs servicing, please call Rinnai (0800 746 624) from a land line and select option 1 for a service centre in your area.

For reliable operation Rinnai Super Rays should be serviced every 2 years. If they are in a harsh outdoor environment or intensively used (for example, in a commercial application), annual servicing would be beneficial. Regular servicing is not covered by the Rinnai warranty.

If you have any faults or problems, please refer to your installer or contact Rinnai.

Possible damage by radiant heat

This product emits radiant heat, any materials or objects stored near this appliance could sustain damage.

Safety

High surface temperatures



Please be aware of the high surface temperatures on the heater. Young children should be supervised at all times. Hand or body contact with the heater must be avoided.

Flammable materials and aerosols



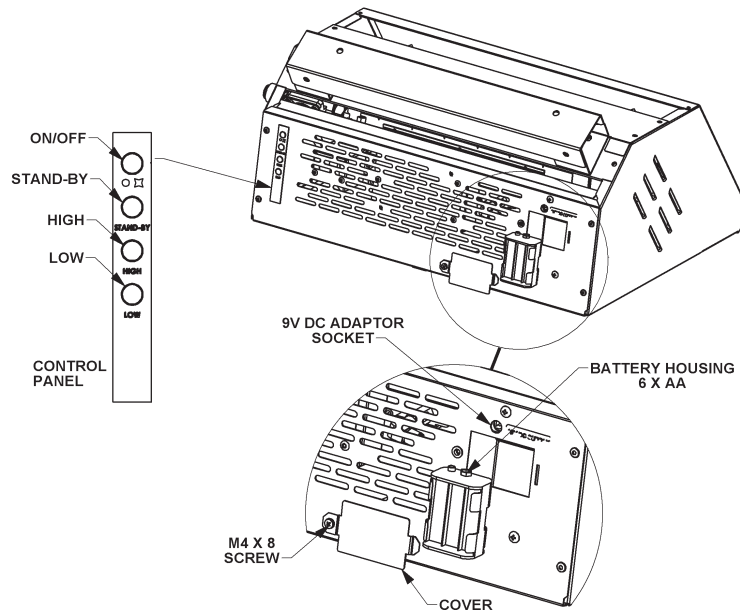
Do not spray aerosols while the appliance is operating. Most aerosols contain butane gas which can be a fire hazard if used near the appliance.

Do not use or store flammable materials near this appliance.

Obstructions

Do not place articles on or against this appliance.

Control Panel Operation



General operation

Turning the unit on and off

Press and hold the ON/OFF button until the unit beeps.

When turning the unit on it will start the electronic spark. The pilot will ignite first followed by the plaques (approximately 10 seconds). The heater will start on the high setting.

Low and high setting

Press either LOW or HIGH until the unit beeps.

Standby

To turn to pilot only press STANDBY until the unit beeps. This function is not used in the day to day operation of the appliance.

Power supply and battery replacement

The heater has a dual power supply option and can operate via a 9 V - 2.1 mm DC power socket or 6 x AA batteries.

Important

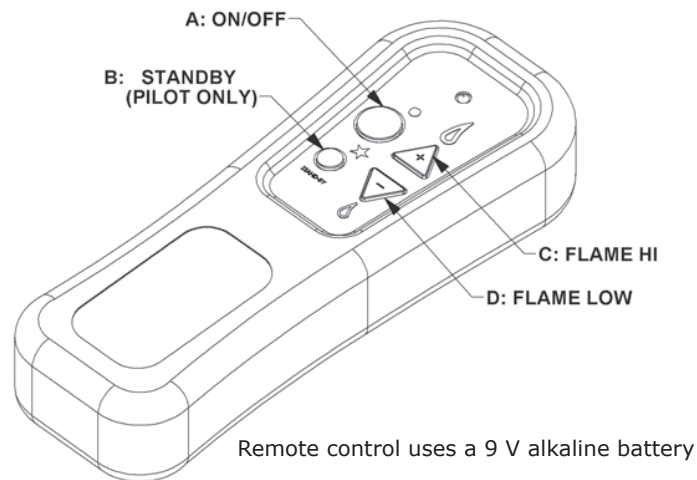
When using the 9 V power socket ensure that the empty battery housing remains connected so that contacts cannot touch the case.

Replacing the batteries:



1. Unscrew the cover on lower panel.
2. Remove battery housing taking care not to hang the housing in the air by the electrical connections.
3. Replace batteries and put back the battery housing and lower panel cover.

Remote Control



General operation

Turning the unit on and off

Press and hold the ON/OFF and STANDBY buttons (child lock facility) until the unit beeps.

When turning the unit on it will start the electronic spark. The pilot will ignite first followed by the plaques (approximately 10 seconds). The heater will start on the high setting.

Low and high setting

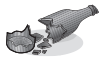
Press either LOW or HIGH until the unit beeps.

Standby

To turn to pilot only press STAND-BY until the unit beeps. This function is not used in the day to day operation of the appliance.

Installation Information - General

Before installation



Unpack the appliance and components and check for damage. DO NOT install any damaged items.



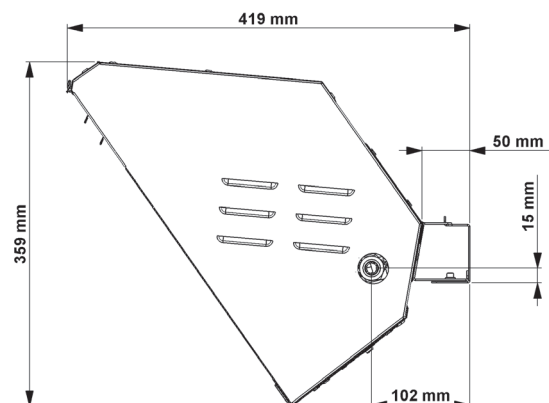
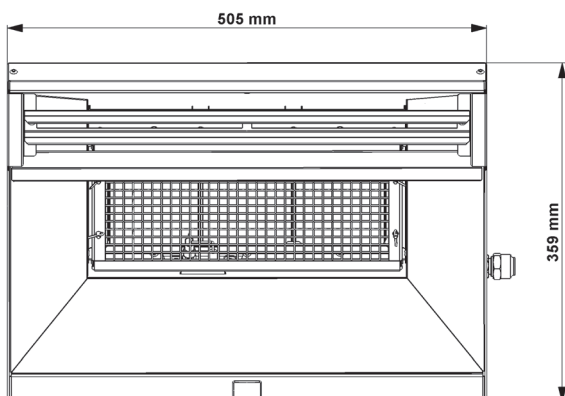
Check all components have been supplied and that you have the correct gas type.



Read these instructions to get an overview of the steps required before starting the installation. Failure to follow these instructions could cause a malfunction of the appliance. This could result in serious injury and property damage.

Specification information

Model	ODHRAD3EN
Burner Pressure	High 1.00 kPa Low 0.40 kPa
Data Plate	Right hand surround panel near gas connection
Gas Control	SIT automatic control system
Gas Inlet	1/2 " Copper flare union
Gas Input	25 MJ/h (high) and 16 MJ/h (low)
Gas Type	NG only
Weight	10 kg

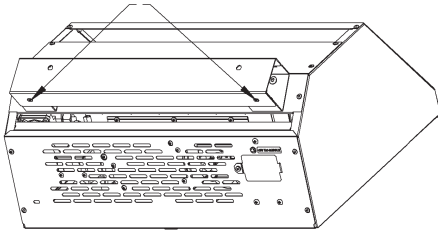


Installation Information

Procedure

1. Select a suitable position.
2. Unscrew the wall bracket from the rear of the heater using a 4 mm Allen key. The wall on which the heater is mounted must be capable of supporting the heater - 10 kg.

Unscrew these screws to remove wall bracket

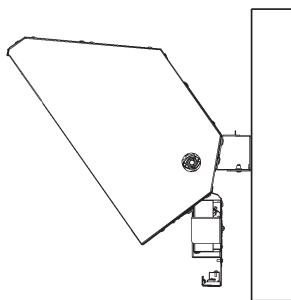


Place wall bracket in position and mark fixing location holes on the wall. Ensure minimum clearances as shown on page 4. The heater must be securely attached to the building or structure using the following fixtures:

- For brick and masonry 8 mm dynabolt or equivalent
- For wood/timber number 12 screws or equivalent

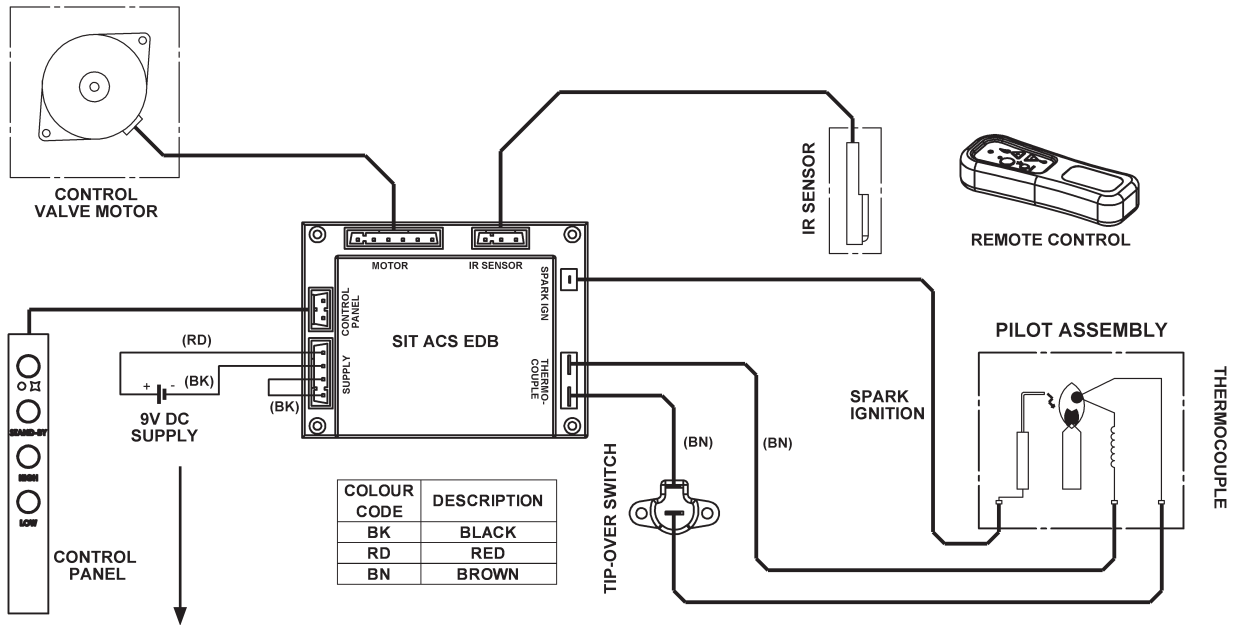
3. Remove lower surround panel. Do not hang in the air as this will damage the electrical connections. The unit must be hung between the left and right hand side surround panels to eliminate any pull on the electrical connections.

Remove and hang lower panel on the side surrounds to safely access the gas connection



4. Prepare to connect the gas remembering that a manual isolation valve must be fitted.
5. Tighten all connections, turn on gas supply and check for leaks with a solution of soapy water.
6. When the installation and testing is completed, explain to the customer about use and care of the unit and understands the instructions. Leave these instructions with the customer.

Wiring Diagram



9 V - 2.1 mm regulated adaptor must be used when unit is powered through the 9 V DC socket (supplied with unit)

Installer Details

Company name: _____

Installer name: _____

Address: _____

Phone: _____ Mobile: _____

Certificate of Compliance number for installation: _____

Signed: _____ Date: _____

Rinnai

EXPERIENCE OUR INNOVATION

Consumers: 0800 RINNAI (746 624)
Installers: 0800 TO RINNAI (86 746 624)

Address: 105 Pavilion Drive, Mangere, Auckland
PO Box 53177, Auckland Airport, Auckland 2150

Phone: (09) 257 3800
Fax: (09) 257 3899

Email: info@rinnai.co.nz
Website: www.rinnai.co.nz