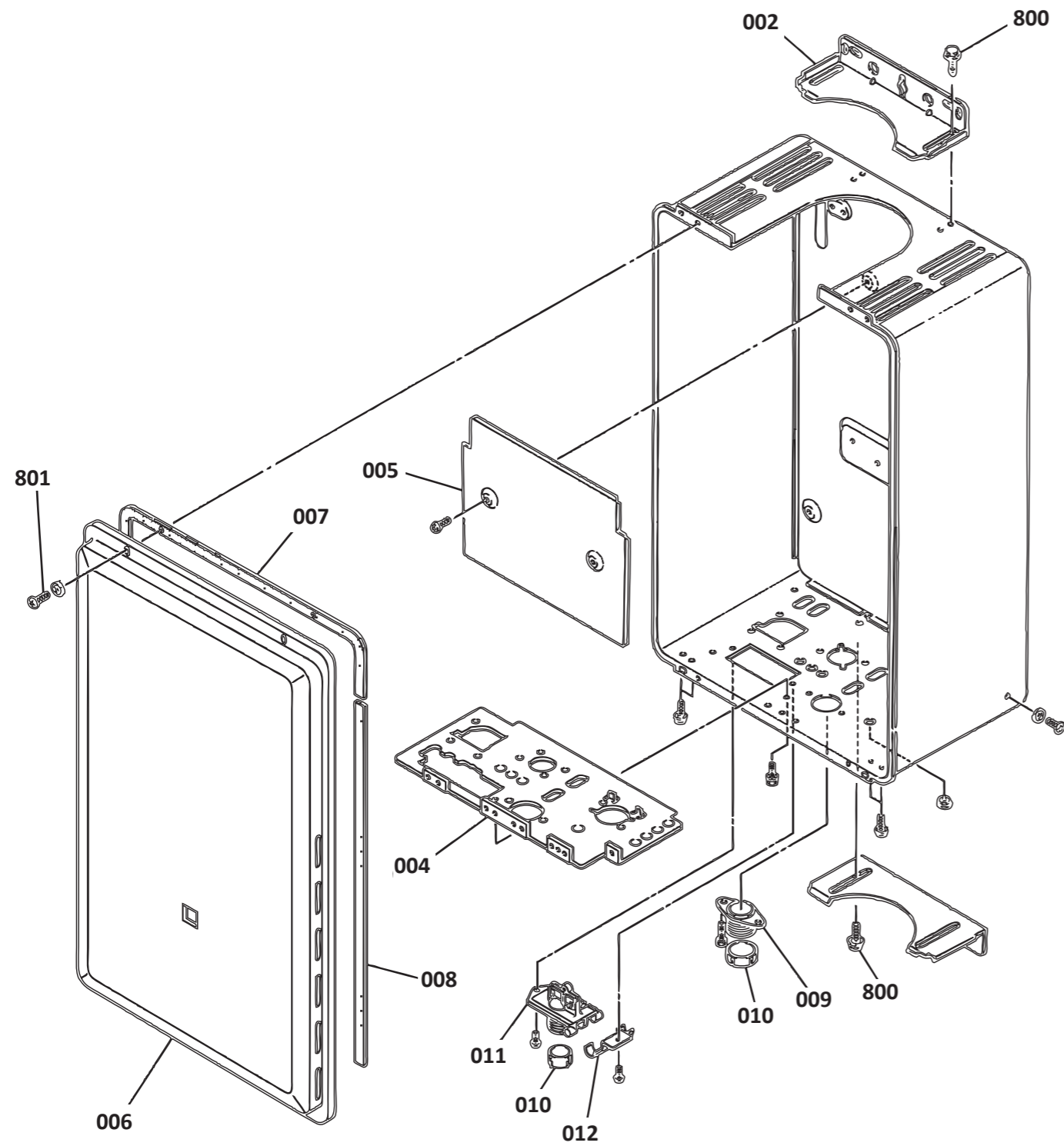


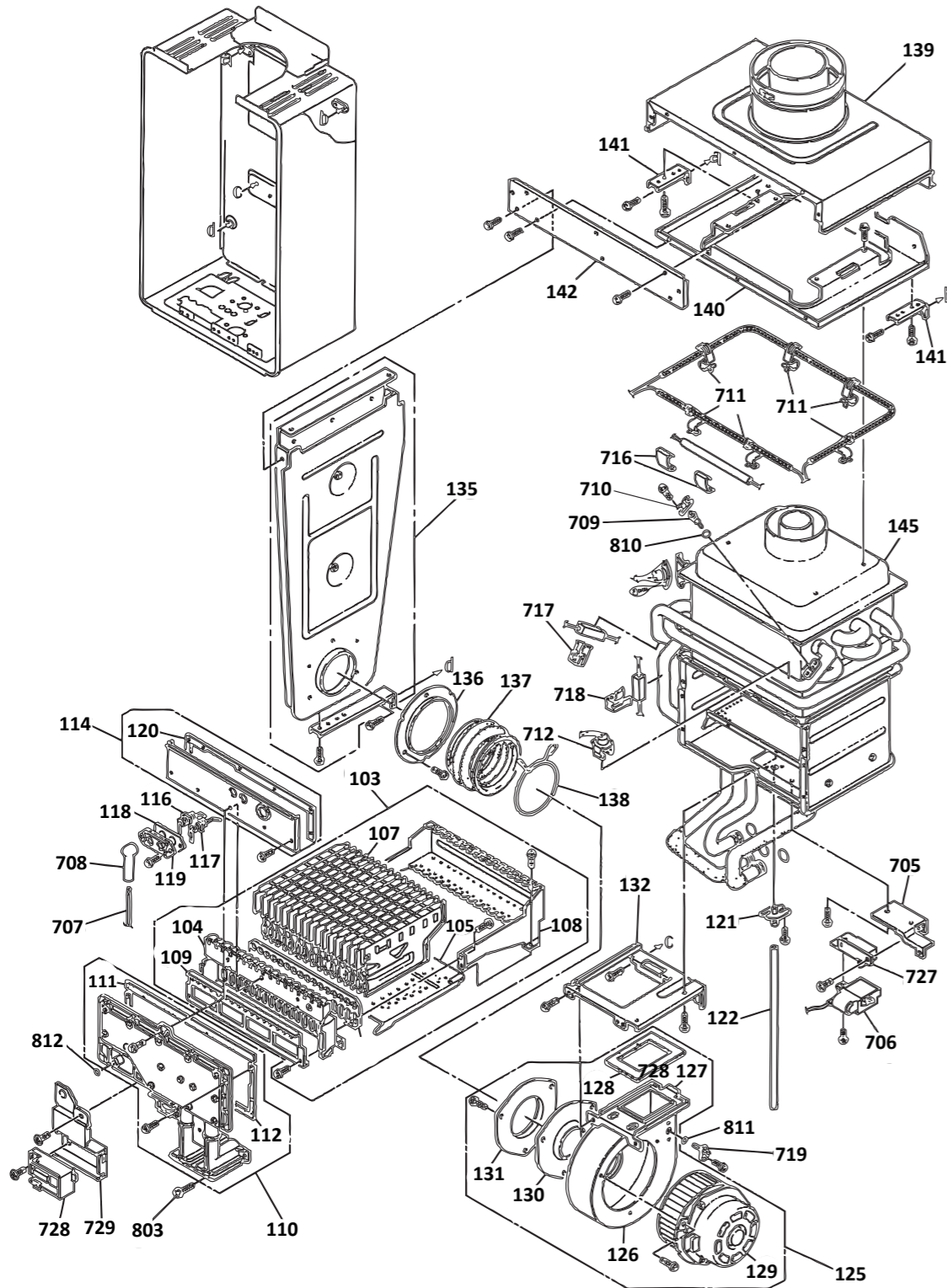
INFINITY HD200i (REU-VM2632FFUC) internal

This diagram is provided to assist you to identify parts if replacement is necessary. Contact your place of purchase or the manufacturer to enquire about parts, availability and/or service.



| Ref. | Description | Qty. | Part No. |
|-------------------|----------------------------|------|-----------|
| SI = stocked item | | | |
| 002 | Wall bracket Infinity | 1 | 3417 (SI) |
| 004 | Connection reinforcement | 1 | 4917 (SI) |
| 005 | Heat protection plate | 1 | 4933 (SI) |
| 006 | Panel front (no gasket) | 1 | 4935 (SI) |
| 007 | Front panel packing top | 1 | 3418 (SI) |
| 008 | Front panel packing side | 1 | 3807 (SI) |
| 009 | Cable connection | 1 | 3896 (SI) |
| 010 | Rubber bush | 2 | 2898 (SI) |
| 011 | Quick control connection | 1 | 3310 (SI) |
| 012 | Connection support clip | 1 | 3311 (SI) |
| 800 | Screw | 4 | 4766 (SI) |
| 801 | Screw pack for front panel | 1 | R5040 |

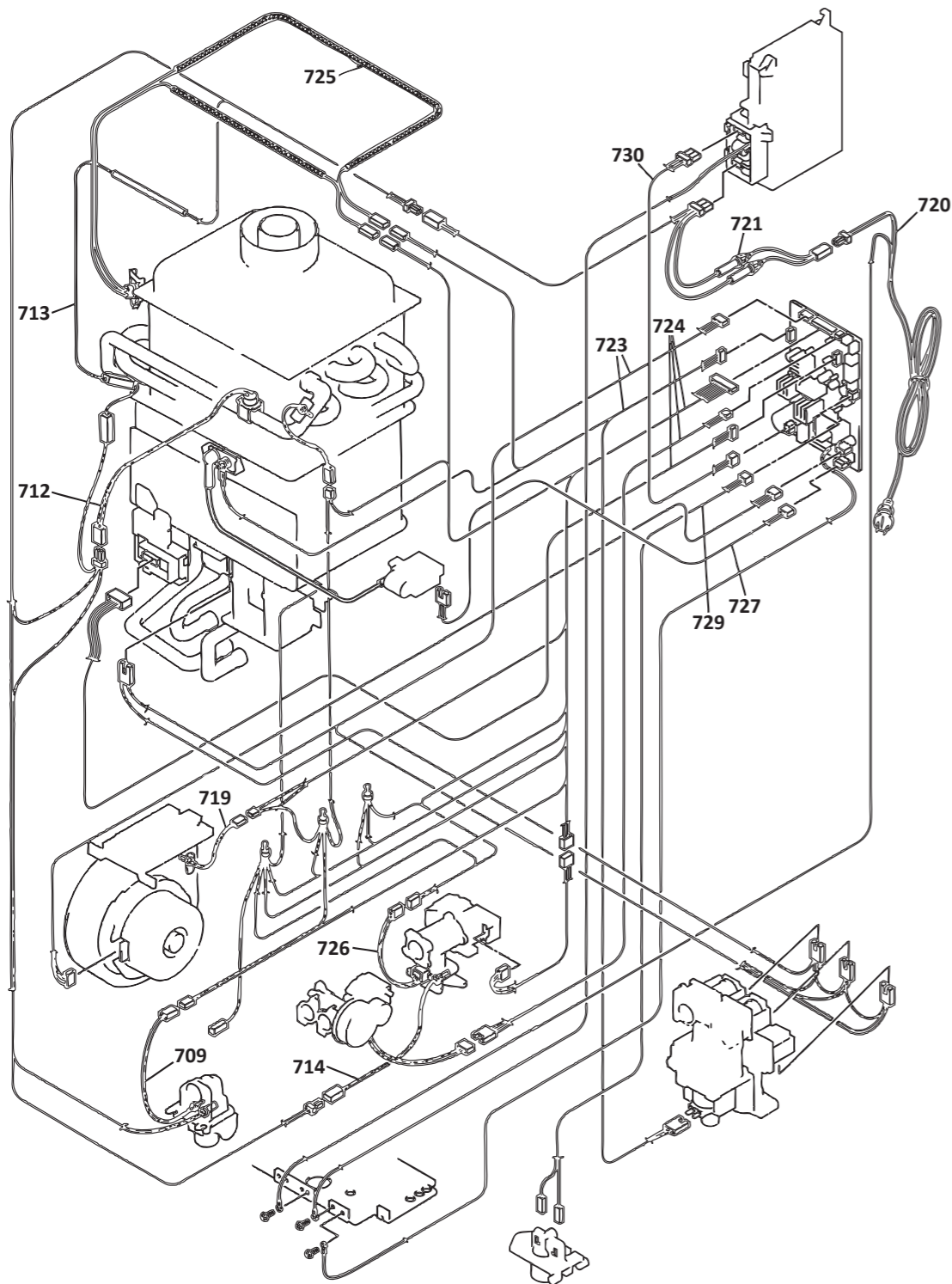
This diagram is provided to assist you to identify parts if replacement is necessary. Contact your place of purchase or the manufacturer to enquire about parts, availability and/or service.



| Ref. | Description | Qty. | Part No. |
|-------------------|---|------|-----------|
| SI = stocked item | | | |
| 103 | Burner unit assy NG | 1 | 5337 (SI) |
| 103 | Burner unit assy LPG | 1 | 3566 (SI) |
| 104 | Burner case front panel | 1 | 4937 (SI) |
| 105 | Burner case bottom plate | 1 | 4938 (SI) |
| 106 | Gasket burner case front | 1 | 4939 (SI) |
| 107 | Lean and rich burner assy | 1 | 3440 (SI) |
| 108 | Burner case back plate | 1 | 4940 (SI) |
| 109 | Damper LPG | 1 | 3567 (SI) |
| 109 | Damper NG | 1 | 5267 (SI) |
| 110 | Manifold assy. LPG | 1 | 4942 (SI) |
| 110 | Manifold assy. NG | 1 | 4941 (SI) |
| 111 | Sealing combustion | 1 | 3589 (SI) |
| 112 | Sealing lower comb. chamber | 1 | 3597 (SI) |
| 114 | Front plate comb. chamber assy | 1 | 4943 (SI) |
| 116 | Electrode | 1 | 3445 (SI) |
| 117 | Flame rod | 1 | 3464 |
| 118 | Electrode packing | 1 | 3465 (SI) |
| 119 | Electrode hodler | 1 | 3468 (SI) |
| 120 | Gasket combust. chamber front panel packing | 1 | 3600 (SI) |
| 121 | Back pressure joint | 1 | 3604 (SI) |
| 122 | Pressure tube C | 1 | 4945 (SI) |
| 125 | Fan motor all assy | 1 | 4946 (SI) |
| 126 | Fan casing assy | 1 | 4947 (SI) |
| 127 | Fan connecting | 1 | 4948 (SI) |
| 128 | Sealing fan connecting | 1 | 2669 (SI) |
| 129 | Combustion fan motor | 1 | 3605 (SI) |
| 130 | Bell mouth | 1 | 4949 (SI) |
| 131 | Joint fixing pipe | 1 | 5215 (SI) |
| 132 | Combustion chamber front bracket | 1 | 5216 (SI) |
| 135 | Air inlet duct assy | 1 | 5217 |

| Ref. | Description | Qty. | Part No. |
|------|-------------------------------|------|-----------|
| 136 | Joint bracket | 1 | 5218 (SI) |
| 137 | Connecting joint | 1 | 5219 (SI) |
| 138 | Joint fixing bracket | 1 | 5220 (SI) |
| 139 | Air inlet duct assy | 1 | 5221 (SI) |
| 140 | Exchanger tube frame | 1 | 4929 (SI) |
| 141 | Exchanger tube frame support | 2 | 5223 (SI) |
| 142 | Air inlet box cover | 1 | 4976 (SI) |
| 145 | Heat exchanger assy | 1 | 5225 (SI) |
| 705 | PCB fixing plate | 1 | 5231 (SI) |
| 706 | Ignitor assy | 1 | 2886 (SI) |
| 707 | High tension lead | 1 | 5232 (SI) |
| 708 | Electrode sleeve | 1 | 3475 (SI) |
| 709 | Thermistor-2 | 1 | 2885 (SI) |
| 710 | Thermistor clip | 1 | 3882 (SI) |
| 711 | Temperature fuse fixing plate | 1 | 3659 (SI) |
| 712 | Frost sensing switch | 1 | 3675 (SI) |
| 716 | Anti-frost heater clip | 2 | 3891 (SI) |
| 717 | Heater fixing plate A | 1 | 3917 (SI) |
| 718 | Heater fixing plate B | 1 | 2899 (SI) |
| 719 | Air thermistor | 1 | 5234 (SI) |
| 727 | Ignitor harness | 1 | 5240 (SI) |
| 728 | Power harness | 1 | ? (SI) |
| 729 | Remote control harness | 1 | 2891 (SI) |
| 803 | Screw | 1 | 2938 (SI) |
| 811 | O-ring (P3) | 1 | 2974 (SI) |
| 812 | O-ring (S4) | 3 | 2239 (SI) |

This diagram is provided to assist you to identify parts if replacement is necessary. Contact your place of purchase or the manufacturer to enquire about parts, availability and/or service.



| Ref. | Description | Qty. | Part No. |
|-------------------|------------------------------|------|-----------|
| SI = stocked item | | | |
| 709 | Thermistor | 1 | 2884 (SI) |
| 712 | Frost sensing switch | 1 | 3675 (SI) |
| 713 | Heater antifrost assy | 1 | 5233 (SI) |
| 714 | Heater water flow | 1 | 4752 (SI) |
| 719 | Air thermistor | 1 | 5234 (SI) |
| 720 | Electric power cord | 1 | 3526 (SI) |
| 721 | Fuse harness | 1 | 5235 (SI) |
| 723 | Harness solenoid valve | 1 | 5236 (SI) |
| 724 | Harness sensor | 1 | 5237 (SI) |
| 725 | Thermal fuse and relay assy. | 1 | 3770 (SI) |
| 726 | MR sensor assy | 1 | 5239 (SI) |
| 727 | Harness ignitor | 1 | 5239 (SI) |
| 729 | Remote controller harness | 1 | 2891 (SI) |
| 730 | Harness electric power | 1 | 5241 (SI) |
| - | Status monitor harness | 1 | 2857 |