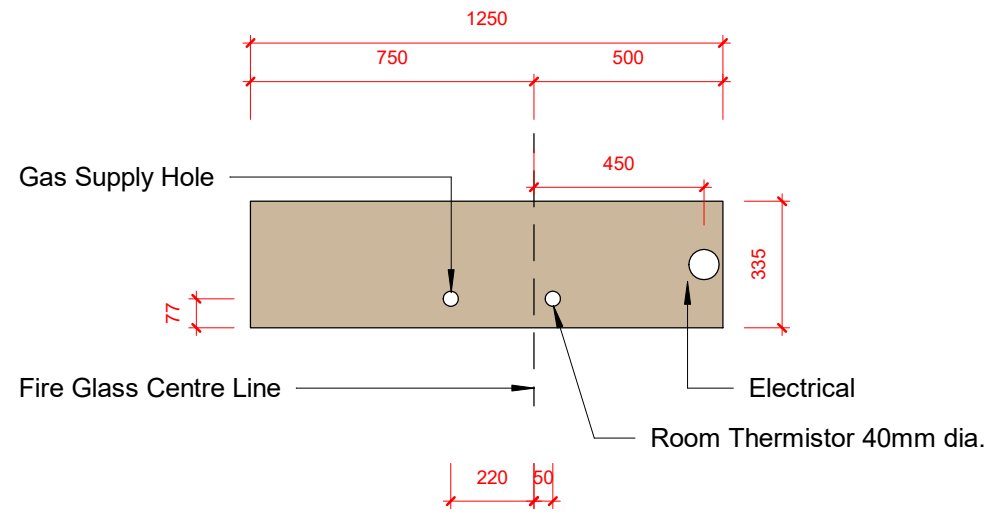
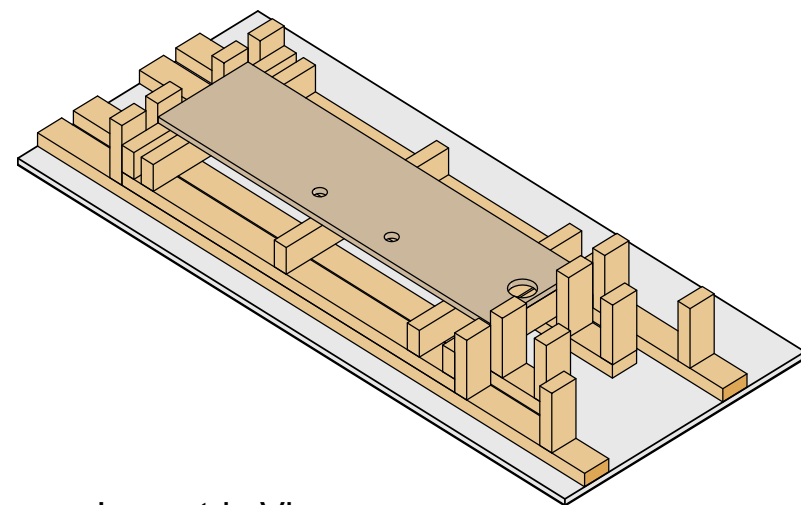


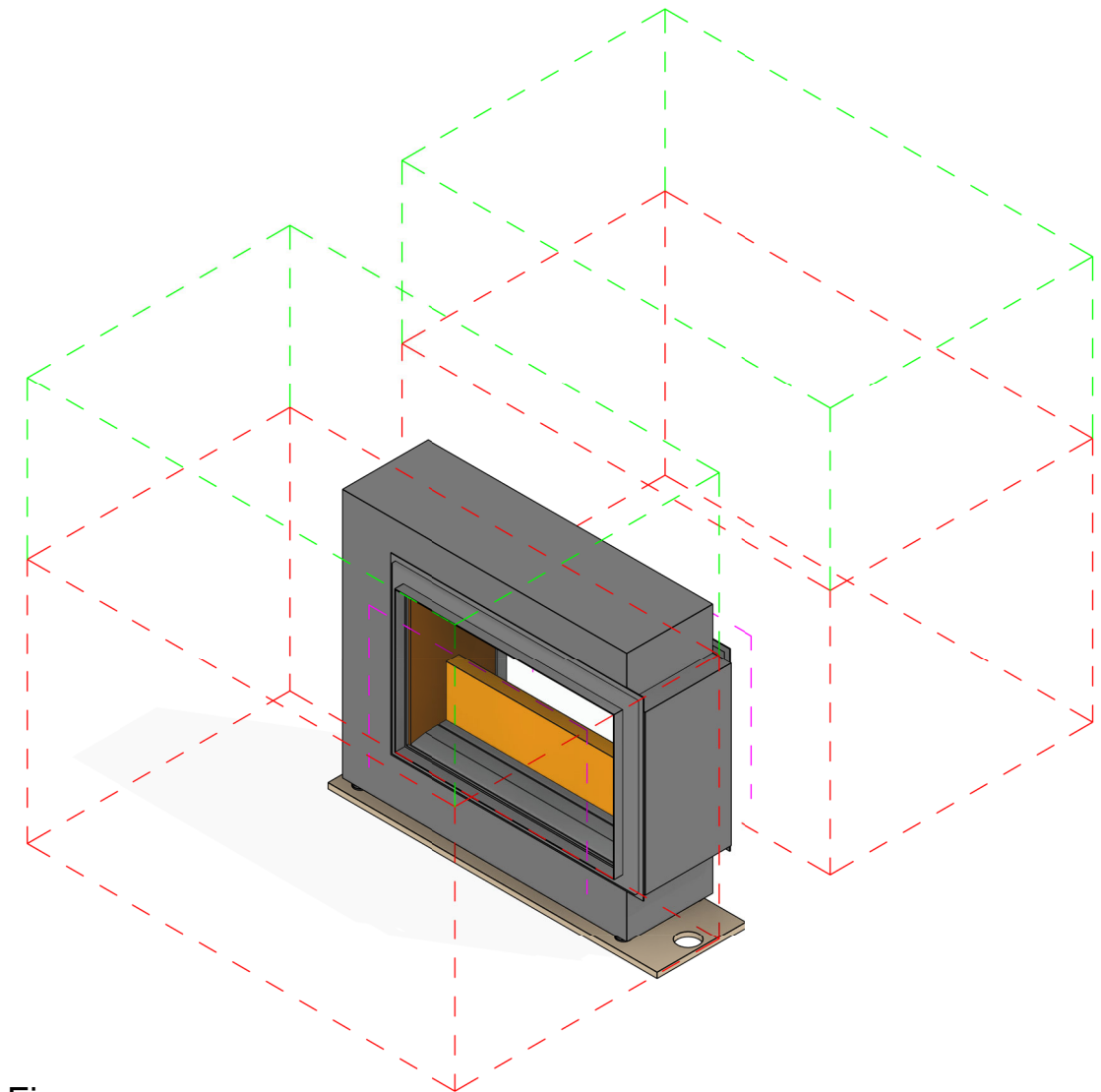
Note:
Non Combustable zones require the use of non combustable framing and linings.



Fire Platform - Plan View
1 : 20



Isometric View



Linear Fire

Original Sheet Size A3 Note that designs illustrated are indicative examples only and will require specific design.

© 2019 Rinnai New Zealand Ltd. Rinnai is constantly improving its products, and as such, all information and specifications are subject to change or variation without notice.



Linear Fire 800 - Double Sided
Fire and Platform
Fire and Platform Detail

0800 746 624
Family: linear0800_ds
Type: Linear
Scale: 1 : 20
July 2019

Sheet: rinnai_linear0800_ds_044