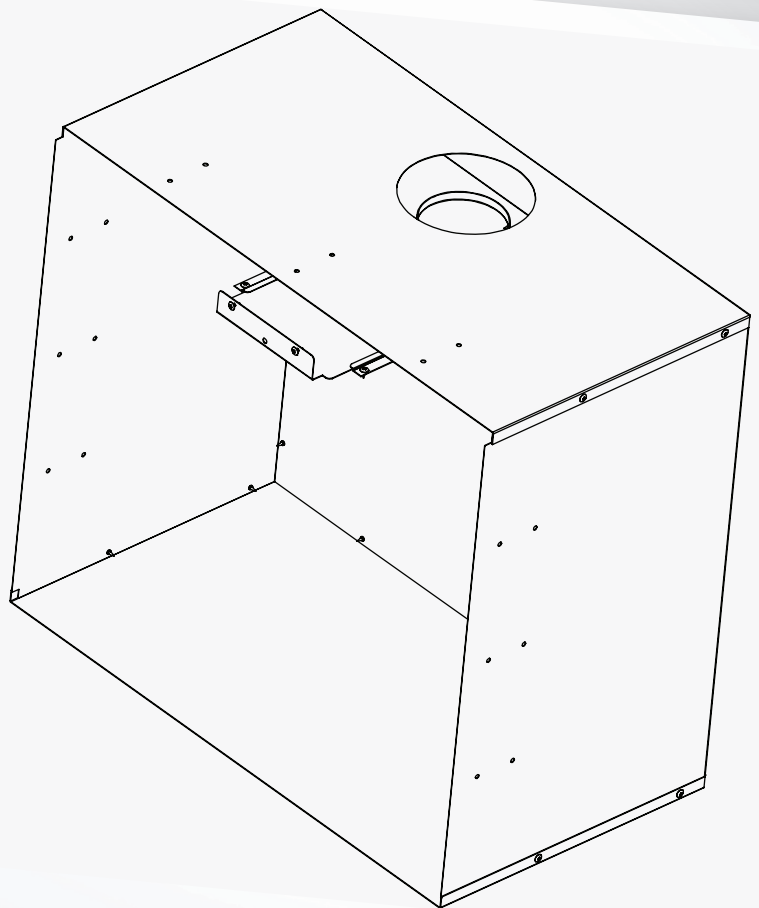


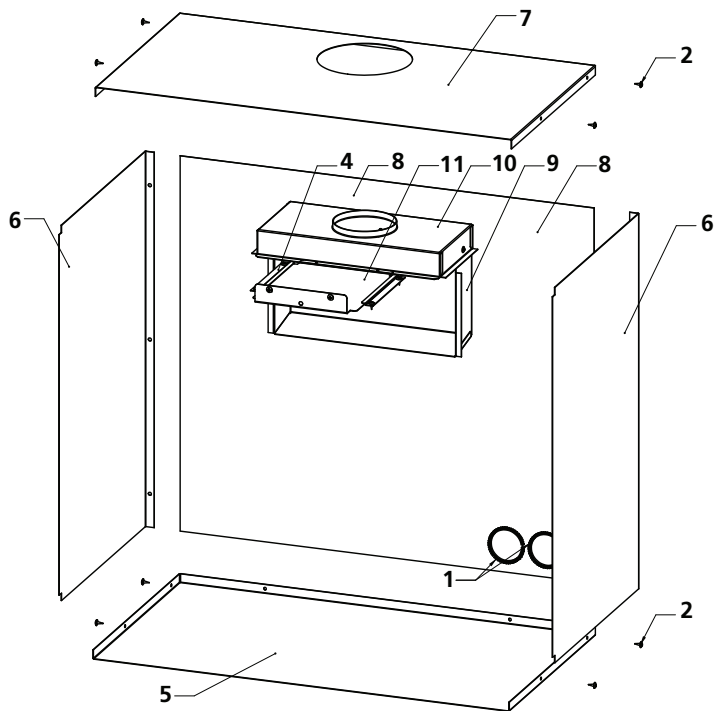
Rinnai

Zero clearance box assembly

RIBF2 Slimfire 252 /
Compact 2



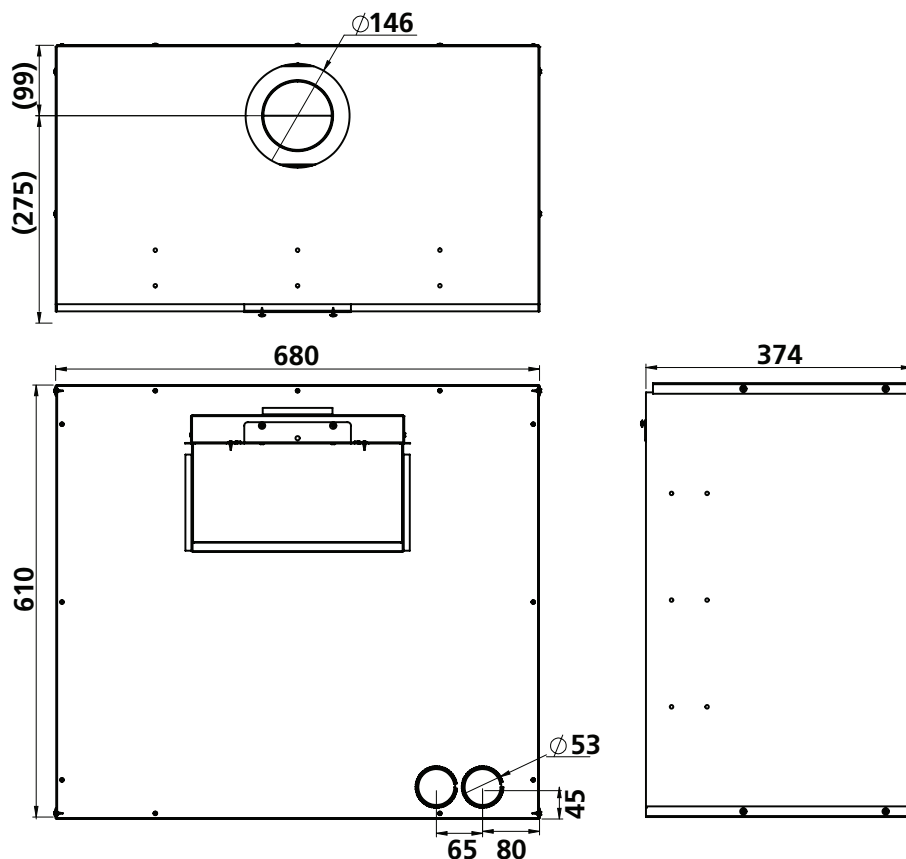
Kit components and dimensions



Item	Description	Qty.
1	Edge protector white (7701R)	2
2	Screw (9020)	30
4	Flue guide rails (10469)**	2
5	ZC box base (11820)	1
6	ZC box side (11821)	2
7	ZC box top (11822)	1
8	ZC box rear (11823)	1
9	Spigot rear (11996)*	1
10	Spigot top (11995)*	1
11	Guide plate flue adaptor (R1758-53)*	2

* The flue adaptor, once assembled, connects to the top of the heater engine—for further information, refer to the appliance installation manual.

** The flue guide rails supplied with the zero clearance box need to be attached to the heater engine—refer Compact 2 installation guide.



Installation

Before installation

- Unpack the assembly and check for damage—DO NOT install any damaged items
- Check all components have been supplied
- Read these instructions to get an overview of the steps required before starting the assembly

Failure to follow these instructions could cause a malfunction of the appliance. This could result in serious injury and property damage.

Assemble the flue adaptor

Assemble the upper and lower sections of the flue adaptor using the five screws supplied, then attach the guide plate and RIVET FROM THE UNDERSIDE with the two pop-rivets supplied.

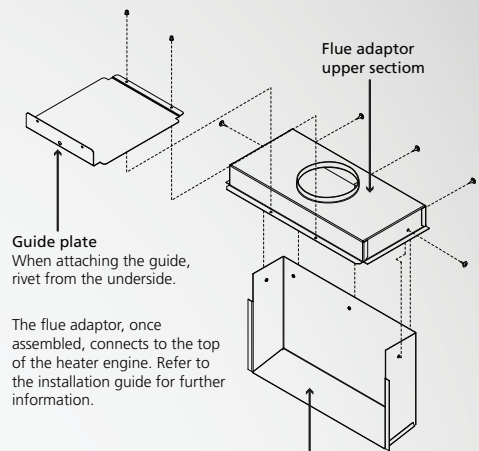
Set aside—flue adaptor assembly connects to the top of the heater engine.

Fit plastic grommet

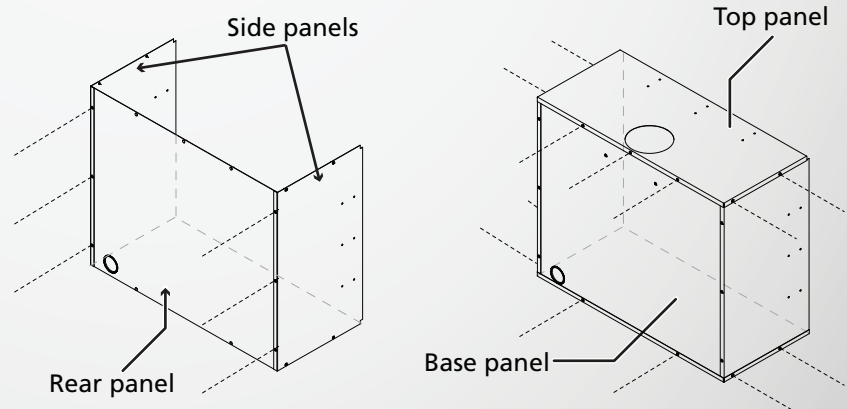
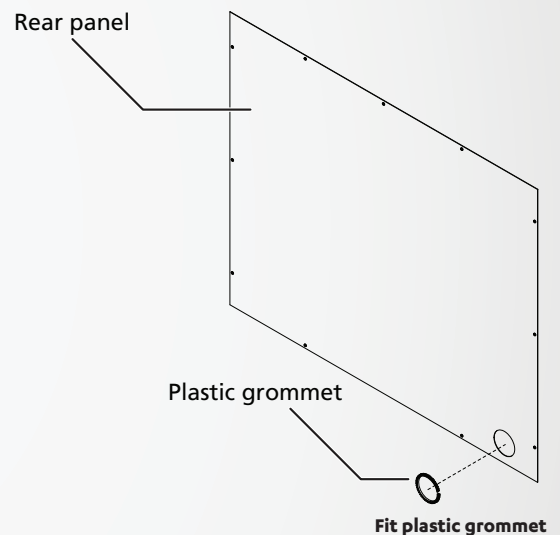
Fit the plastic grommet into the gas and electrical access hole of the back panel.

Assemble zero clearance box

1. Attach the side panels to the rear panel and secure with the six screws supplied.
2. Attach the top panel to the rear panel, aligning the flue outlet hole to the rear, and secure with the three screws supplied.
3. Secure the top panel to the side panels with the four screws supplied.
4. Attach base panel to the rear panel and secure with the two screws supplied.
5. Secure base panel to the side panels with the four screws supplied.



Assemble the flue adaptor



Assemble zero clearance box



For more information call:

Rinnai Australia Pty Ltd: 1300 555 545

Rinnai New Zealand Ltd: 0800 RINNAI (0800 746 624)