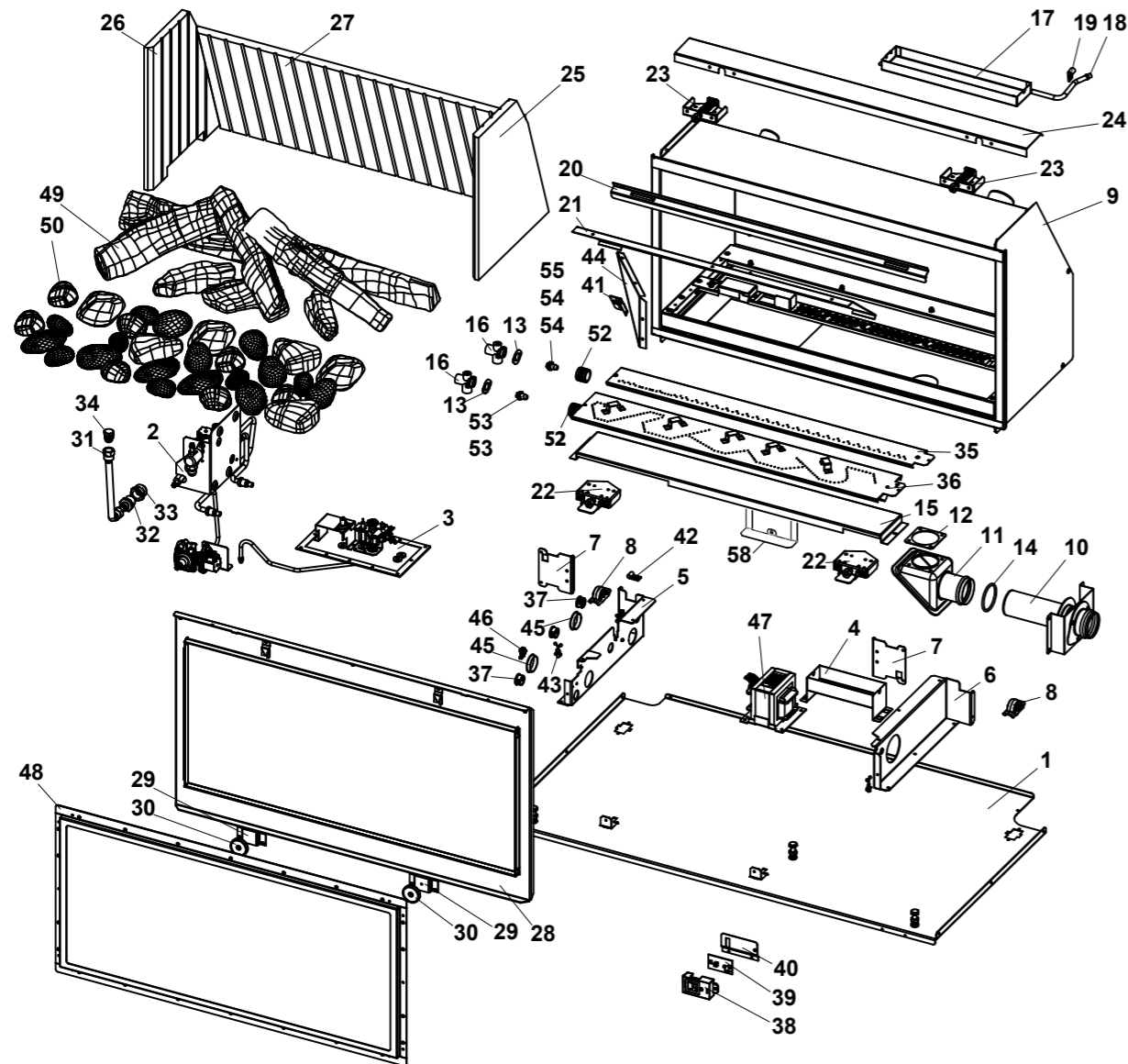


This diagram is provided to assist you to identify parts if replacement is necessary. Contact your place of purchase or the manufacturer to enquire about parts, availability and/or service.

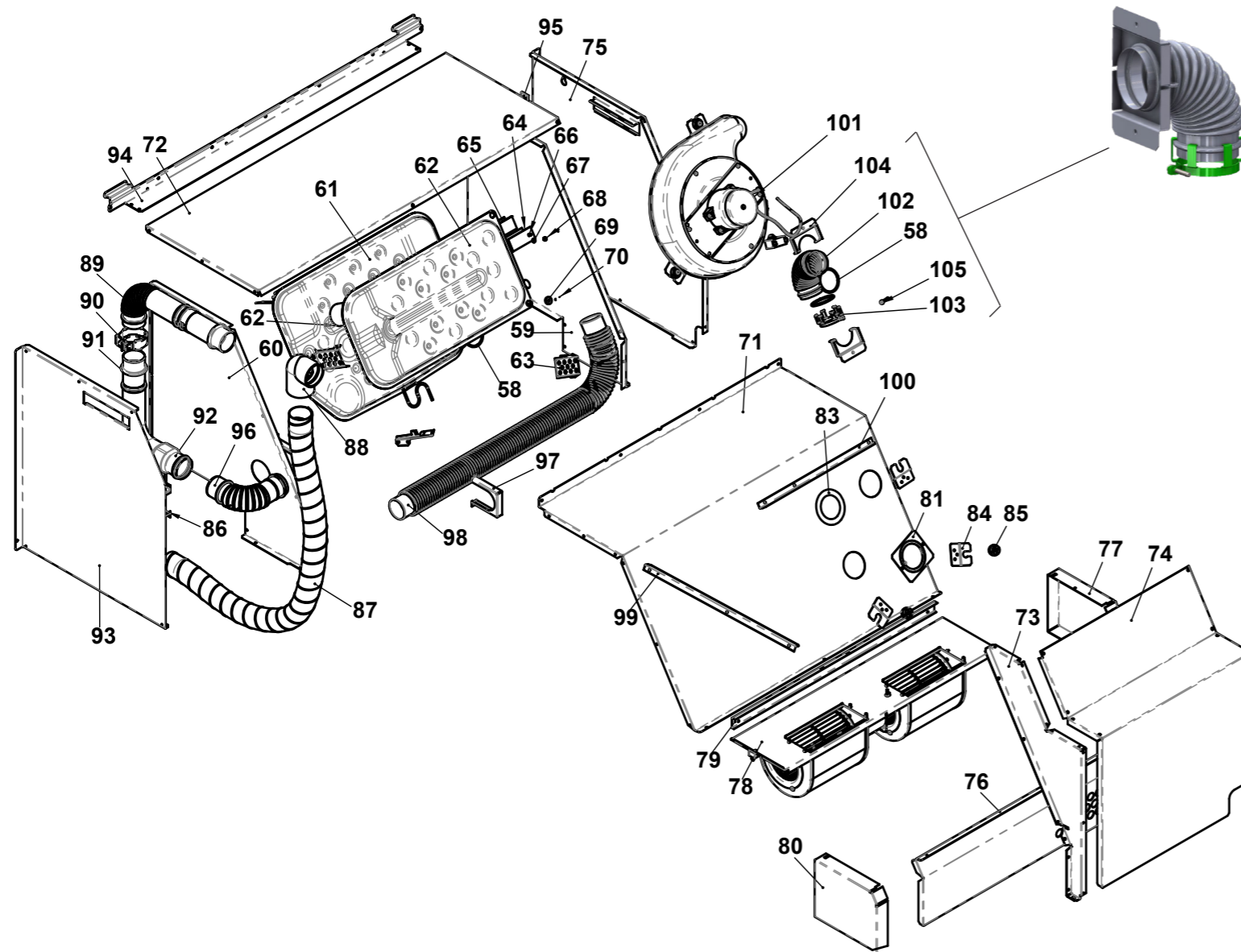


Ref.	Description	Qty.	Part No.
1	Panel base assembly uni controller	1	13061
2	Main gas supply assembly	1	p. 4
3	Pilot assembly uni controller	1	p. 5
4	Condensate tray bottom	1	12558
5	Combustion chamber support LH	1	13076
6	Combustion chamber support RH	1	12402
7	Bracket fascia	2	12437
8	Wheel kit	2	10751
9	Combustion chamber assy. painted	1	12708F
10	Air inlet assembly	1	12521
11	Air inlet box front	1	10234
12	Air inlet box packing	1	10271
13	Injector block packing	2	10462
14	O-ring M10B-4-49	1	4850
15	Air diverter	1	12421
16	Injector block A + C	2	7953
17	Condensate tray top	1	12484
18	Condensate pipe	1	12485
19	Cable clamp metal 7.9 mm	1	9560
20	Heat shield bracket black	1	12423F
21	Heat shield top black	1	12422F
22	Explosion relief bottom assembly	2	11663
23	Explosion relief assembly spare	2	11662
24	Relief spring cover black	1	12414F
25	Ceramic panel groove RH	1	12427
26	Ceramic panel groove LH	1	12425
27	Ceramic panel groove rear	1	12426
28	Glass frame assembly	1	12717
29	Magnet bracket	2	12624
30	Magnet	2	7136

Ref.	Description	Qty.	Part No.
31	Flextube 3/8 x 8 CW 3/8-18 nuts	2	7835
32	Adaptor 1/2 BSP 3/8 SAE flare	1	11944
33	Nut 1/2 compression	1	5064
34	Brass plug 3/8 " SAE flare	1	11948
35	Burner rear assembly black	1	12626F
36	Burner front assembly black	1	12710F
37	Insulating bush	3	10657
38	PCB case receiver	1	10394
39	PCB receiver	1	10393
40	Receiver bracket	1	12486
41	Wire bracket	1	12488
42	Power cord clamp	1	9552
43	Cable clip	1	6698
44	Panel partition	1	12509
45	Grommet	2	11937
46	Protector plastic edge	1	1880
47	Transformer	1	10258
48	Dress guard kit	1	R2778
49	Log set	1	R2781
50	Stones	1	R2780
52	Aeration sleeve 19.5 mm front/rear NG	2	12499
53	Injector 2.10 mm front NG	1	12508
54	Injector 1.90 mm rear NG	1	11205
55	Injector 1.30 mm front ULPG	1	12506
57	Injector 1.10 mm rear ULPG	1	12504
58	Wi-Fi receiver bracket	1	13049
-	Heat exchanger bracket	1	12995
-	Granule pack	1*	2544

* When a new unit is ordered for the first time two granule packs are supplied with the engine

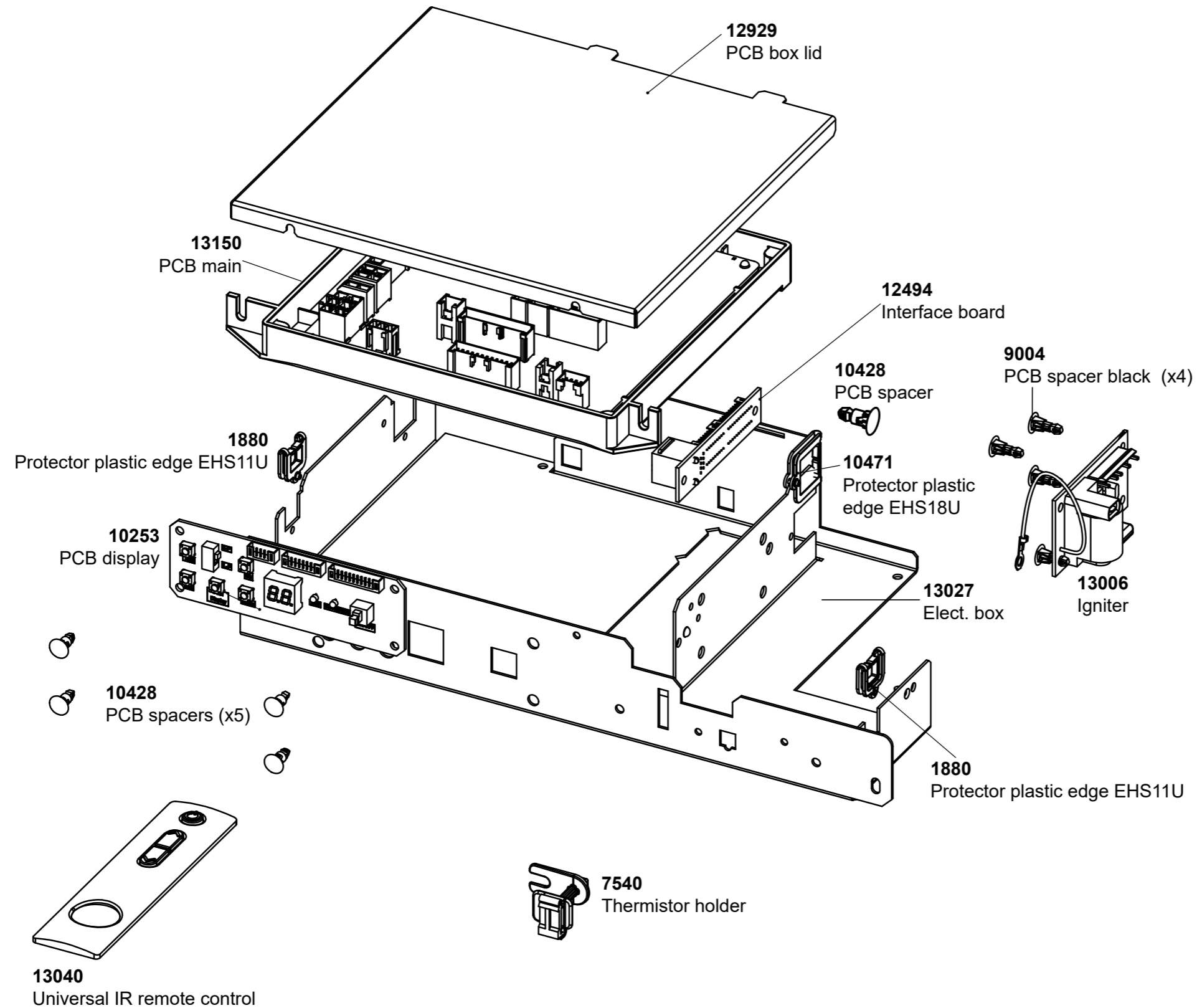
This diagram is provided to assist you to identify parts if replacement is necessary. Contact your place of purchase or the manufacturer to enquire about parts, availability and/or service.



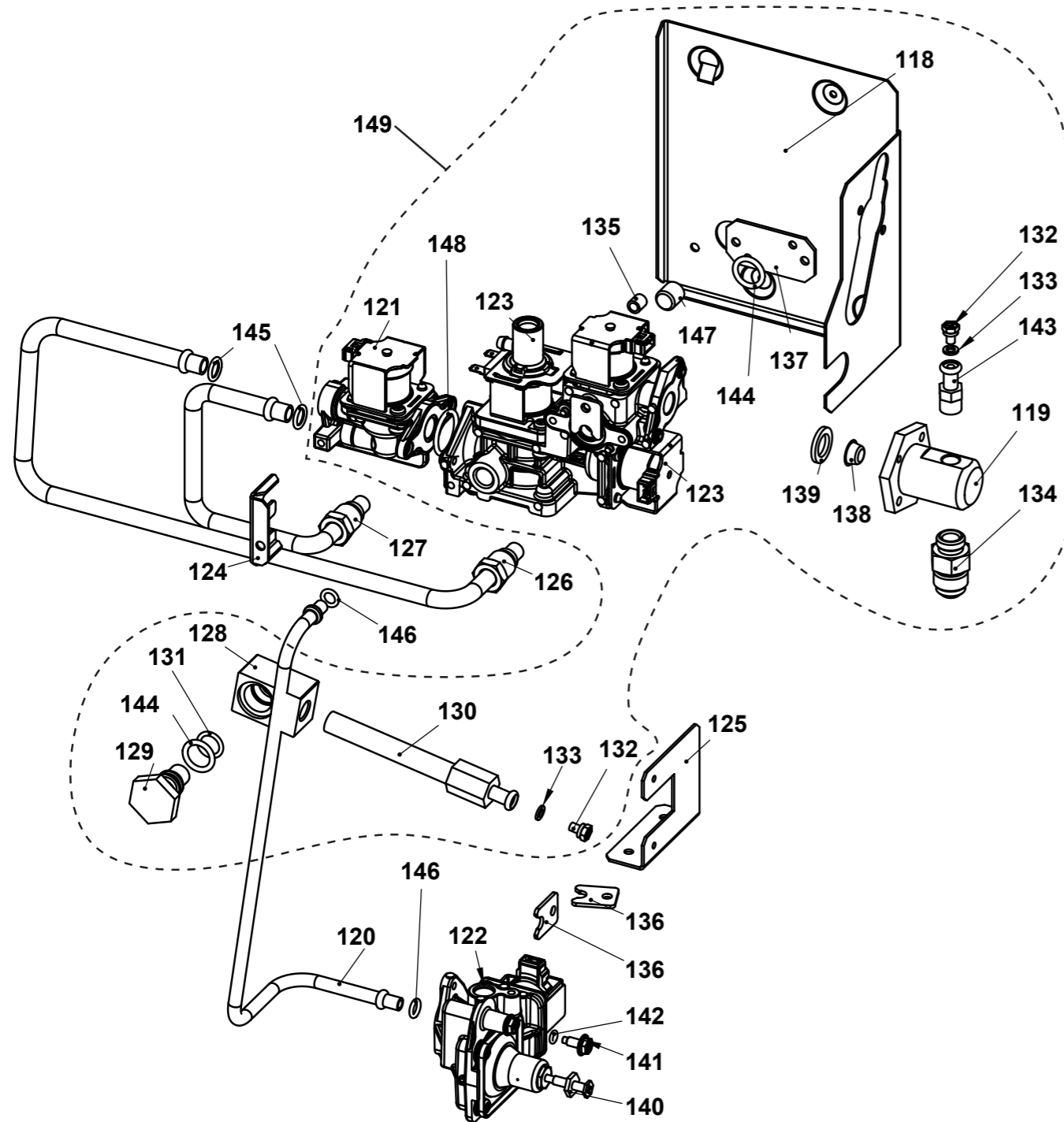
Ref.	Description	Qty.	Part No.
58	O-ring M10B-4-49	1	4850
59	Panel heat shield LH	1	13060
60	Panel heat shield RH	1	12405
61	Heat exchanger front painted	1	12525
62	Heat exchanger rear	1	10351
63	Combustion chamber HEX bracket	2	12419
64	Bracket sound absorber	2	10399
65	Heat exchanger sound absorber	2	10477
66	Bolt M4 x 40 304 SS	2	9077
67	Washer flat M4 ZP	4	9231
68	Nut M4 ZP	2	9186
69	Bush heat exchanger	1	9275
70	Screw 8 x 5/8 pan philips SS	1	9018
71	Panel heat shield rear	1	12404
72	Panel top	1	12409
73	Panel combustion fan side cover	1	12412
74	Panel combustion fan cover	1	12413
75	Panel side LH	1	12674
76	Convection fan mount bracket	1	12433
77	Convection fan mount support LH	1	12434
78	Fan convection assembly	1	12536
79	Convection fan spacer bracket	1	12436
80	Convection fan mount support RH	1	12435
81	Bracket combustion fan inlet clamp	1	10508
82	Tube fan inlet combustion	1	10526
83	Packing combustion fan	1	10278
85	Combustion fan rubber mount	3	10269
86	Bracket exhaust	1	12420
87	Air inlet hose	2	10349
88	Air inlet elbow B 50 x 50	2	4328
89	Flue pipe set	1	10313

Ref.	Description	Qty.	Part No.
90	Clamp flue 50 mm	1	4823
91	Tube flue slide 50 x 135	1	4326
92	Flue pipe condensate	1	10446
93	Panel side RH	1	12675
94	Panel top edge	1	12714
95	Cable clip	3	10309
96	Air inlet elbow Ø 50	1	10334
97	Heat exchanger clamp	2	12468
98	Pipe bend heat exchanger	1	12553
99	Bracket A back anti-vibration	1	12213
100	Bracket B back anti-vibration	1	12214
101	Combustion fan assy. (incl. 81, 82, 83)	1	13619
102	Elbow combustion exhaust	1	13439
103	Flue clamp and screw	1	R4822
104	Heat exchanger pipe clamp	2	12953
105	Screw M4x25 panphil ZC	1	9076
106	Screw 8x5/8 mushroom head	2	9028

This diagram is provided to assist you to identify parts if replacement is necessary. Contact your place of purchase or the manufacturer to enquire about parts, availability and/or service.



This diagram is provided to assist you to identify parts if replacement is necessary. Contact your place of purchase or the manufacturer to enquire about parts, availability and/or service.



Ref.	Description	Qty.	Part No.
118	Bracket gas control	1	13024
119	Gas inlet adaptor ¼ " elbow	1	13016
120	Pilot valve supply tube	1	13071
121	Gas valve burner	1	13002
122	Pilot regulator	1	13001
123	Gas valve main	1	13000
124	Tube clamp double 8	1	13030
125	Pilot regulator bracket uni-controller	1	13067
126	Gas supply tube front	1	13068
127	Gas supply tube rear	1	13069
128	Test point adaptor outlet	1	13072
129	Test point adaptor inner	1	13073
130	Test point main	1	13017
131	O-ring M10B-1-10	1	2389
132	Test point screw	2	3564
133	O-ring M10B-13-4	2	2239
134	Reducing flare ¾ SAE x ¼ BSPP male	1	13018
135	Spacer M4 clearance 7 mm high	1	13066
136	Tube clamp 6 mm	1	13028
137	Cover plate	1	13003
138	Filter	1	13019
139	Rubber sealing washer for gas connection	1	10290
140	Adjustment screw c/w nut	1	6700
141	Test point screw	1	3564
142	O-ring M10B-13-4	1	2239
143	Pressure test point	1	9992
144	O-ring M10B-1-14	2	13020
145	O-ring M10B-1-8	2	6642
146	O-ring M10B-1-6	2	6308
147	Plug dryseal pressure ⅛ " BSP	1	6243
148	O-ring M10B-1-18	1	13021
149	Gas control assembly SPARE ¹	1	13902

¹ Gas control spare contains:
118, 119, 121, 123, 128, 129, 130,
131, 132, 133, 134, 135, 137, 138,
139, 143, 144, 147, 148

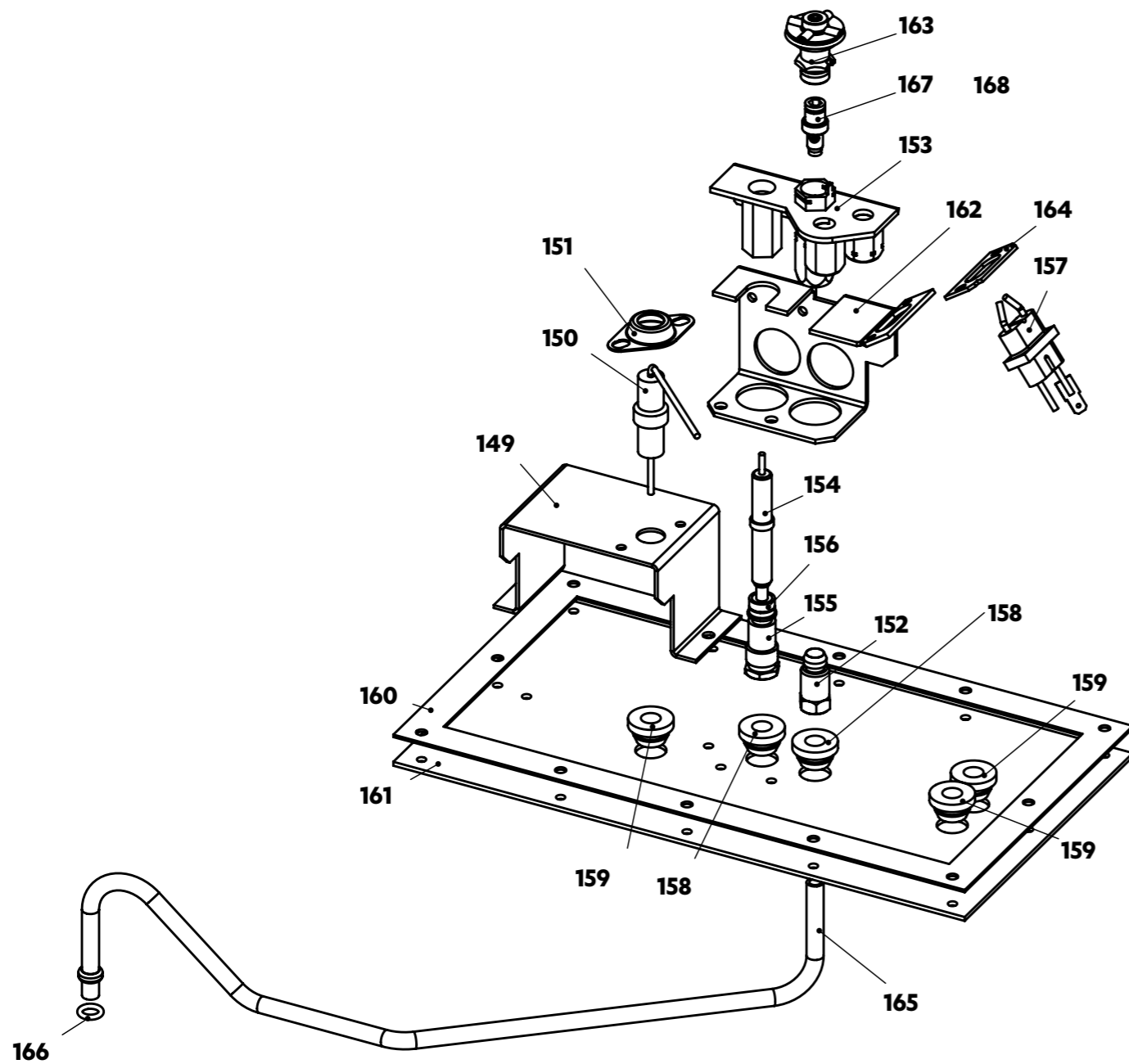
plus o-rings:

* 1 x Ø6 o-ring M10B-1-6 6308

* 2 x Ø8 o-ring M10B-1-8 6642

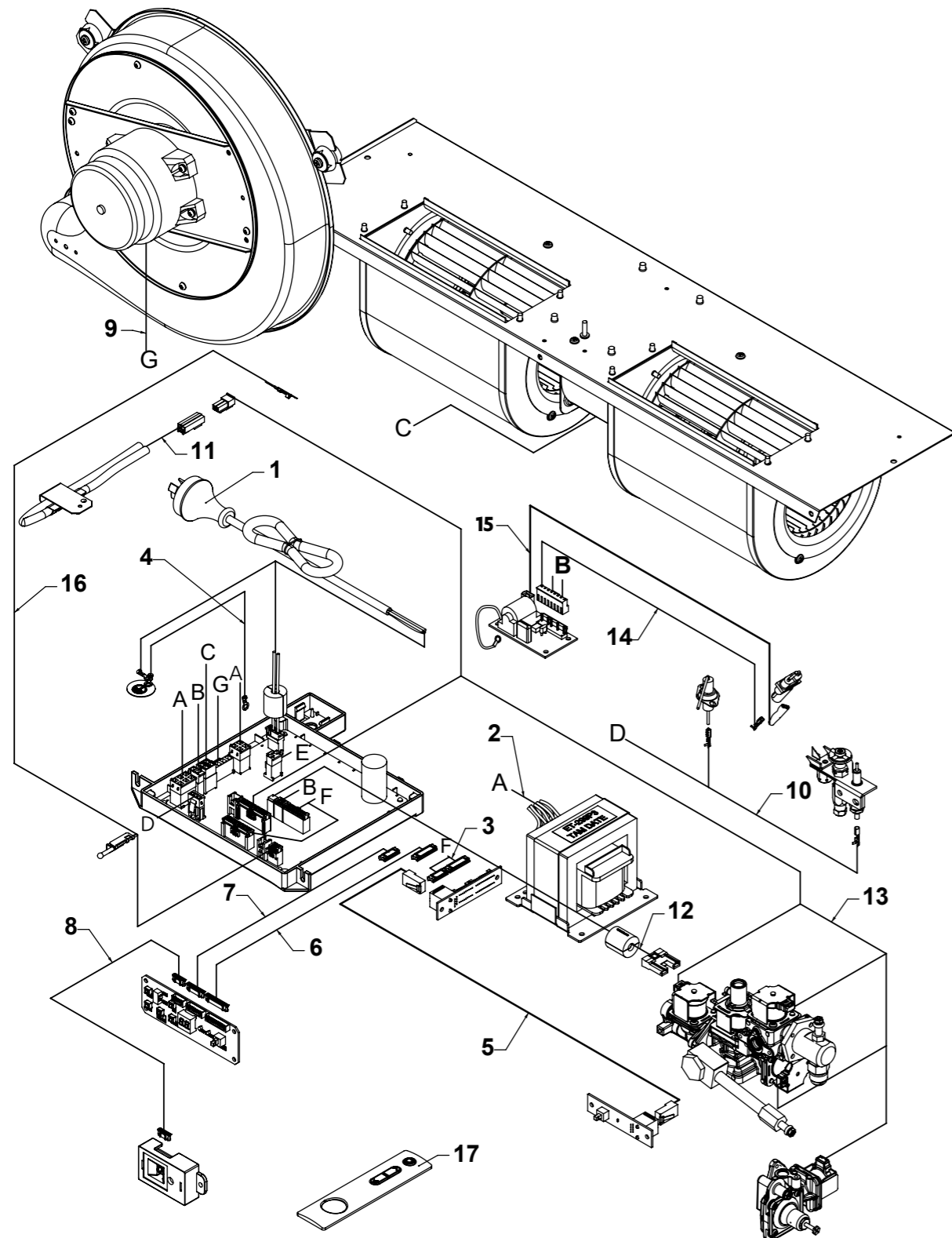
Does not include the gas control
pipes

This diagram is provided to assist you to identify parts if replacement is necessary. Contact your place of purchase or the manufacturer to enquire about parts, availability and/or service.



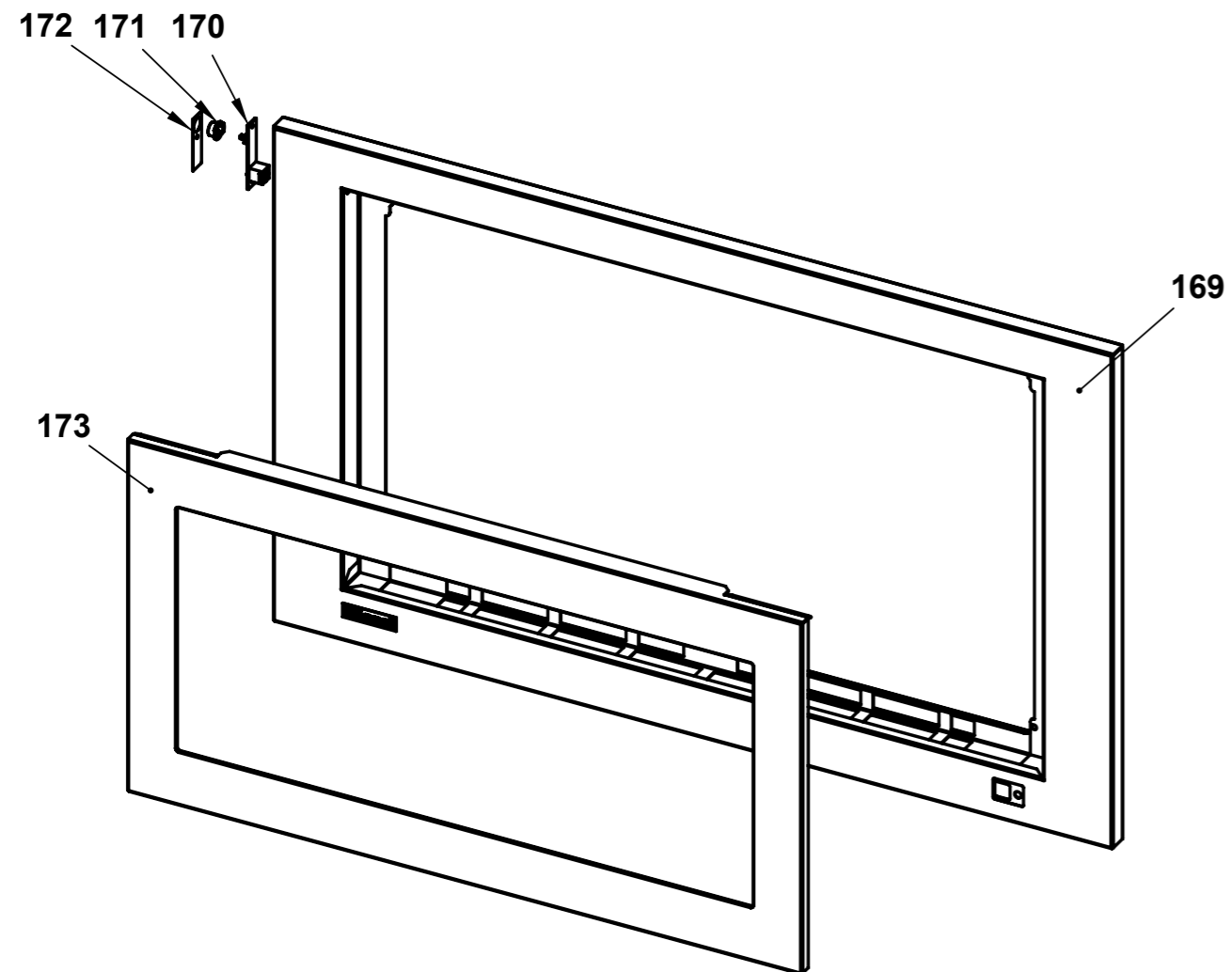
Ref.	Description	Qty.	Part No.
149	Flame rod bracket universal controller	1	13063
150	Flame rod	1	12620
151	Flame rod bracket	1	3068
152	Olive 6 mm	1	7519
153	Pilot body top convertible	1	7870
154	Electrode	1	7875
155	Electrode nut	1	7900
156	Spacer electrode pilot	1	7902
157	Electrode double	1	10265
158	Grommet silicone Ø 4 hole	2	10293
159	Grommet silicone 2 Ø 1.8 hole	3	10294
160	Gasket injector block	1	11554
161	Pilot base universal controller	1	13062
162	Bracket pilot	1	12460
163	Pilot convertible hood 4-flame	1	12463
164	Bracket electrode clamp	1	12461
165	Gas tube pilot	1	13064
166	O-ring M10B-1-6	1	6308
167	Injector LPG 40	1	7905
168	Injector NG 75	1	7796

This diagram is provided to assist you to identify parts if replacement is necessary. Contact your place of purchase or the manufacturer to enquire about parts, availability and/or service.



Ref.	Description	Part No.
1	Power cord universal control black	13042
2	Transformer	10258
3	Harness control panel	10284
4	Wire earth combustion fan	10387
5	Cable CAT5 x 1.4 m	11925
6	Harness 12-way control panel	12492
7	Harness 9-way control panel	12496
8	Harness receiver	12656
9	Harness combustion fan (OH2)	12655
10	Harness flame rod	13008
11	Thermal fuse	13011
12	Harness POV	13012
13	Harness thermal fuse main valve	13010
14	Harness ignition	13031
15	HT lead	12657
16	Harness room temp. thermistor (OH1)	13483
17	Universal IR remote control	13040

This diagram is provided to assist you to identify parts if replacement is necessary. Contact your place of purchase or the manufacturer to enquire about parts, availability and/or service.



Ref.	Description	Part No.
169	Frame outer galaxy black (incl. 170, 171, 172)	13151
170	Main control switch	12999
171	Button	10250
172	Switch label	12142
173	Frame inner galaxy black	12528
174	Frame inner stainless steel	12529