

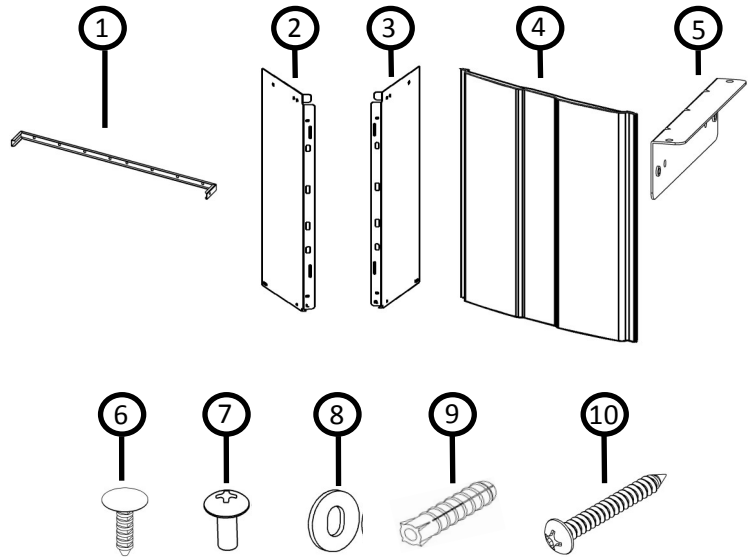
For Use With Rinnai Condensing Tankless Water Heaters
(Please contact Rinnai for model compatibility)



- Before installation, please make sure that all parts are located inside the product box. If any items are missing or damaged, contact your local dealer/distributor or contact Rinnai.
- For installation related inquiries concerning this product please contact Rinnai, see the Installation and Operation Manual for your local Rinnai Help Line contact details.

ITEMS INSIDE PRODUCT BOX

Item #	Item	Qty
①	Bottom Frame	2
②	Left Panel	1
③	Right Panel	1
④	Front Panel	1
⑤	L Bracket	2
⑥	Plastic Retaining Clip	2
⑦	Screw M4 X 12	12
⑧	Plastic Washer M4	12
⑨	Wall Anchor	2
⑩	Screw Ø4.8 X 32	2



*Four of the M4 X 12 screws ⑦ and four of the M4 plastic washers ⑧ are not required for Australian installations.

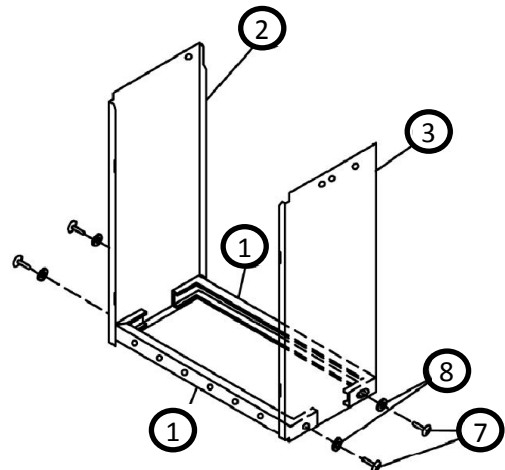
TOOLS/MATERIALS REQUIRED: Phillips head screwdriver Drill

NOTICE An approved weatherproof electrical GPO can be located inside the pipe cover. Installation of the GPO must comply with AS/NZS 3000 Wiring Rules (Australia and New Zealand installations only)

INSTRUCTIONS

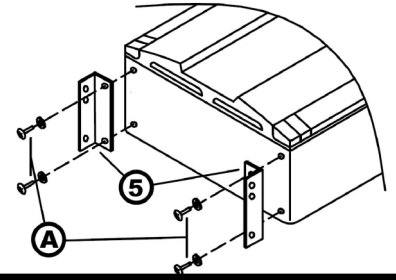
Initial Assembly

1. Secure the two bottom frames ① to the left panel ② and right panel ③ with screws ⑦ and plastic washers ⑧.



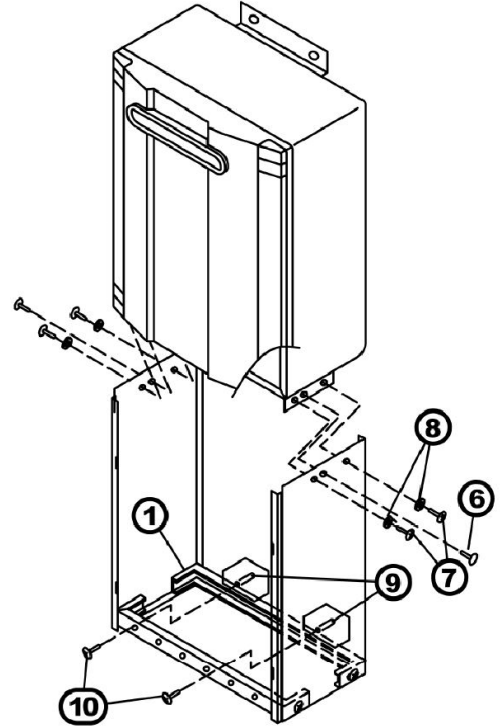
Water Heater Preparation

- Remove the four mounting screws and plastic washers (A) from the outside bottom of the water heater and retain for use in the next step.
- Install the two L brackets (5) to the bottom of the water heater with the screws and washers (A) removed in step 2, ensuring the tab of the L brackets face to the outside of the water heater.



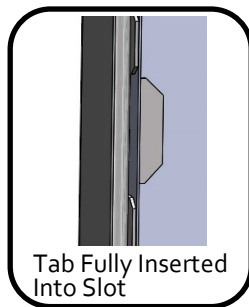
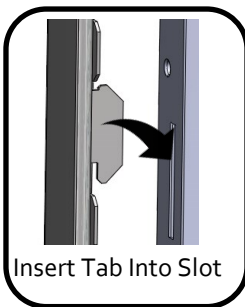
Pipe Cover Installation

- Temporarily fit the pipe cover enclosure to the L brackets (5), using two screws (7) (one per side). DO NOT fully tighten the screws as they will be removed again in a later step.
- Loosen the screws of the back bottom frame (1) and move the frame into its final position. Then, re-tighten the screws.
- Select two suitable fixing points through the back of the bottom frame (1) and mark off their position on the wall.
- Remove the pipe cover enclosure from the water heater and drill two holes in the wall as marked. If using the wall anchors (9) supplied, a 5 mm (0.2 in.) diameter hole to the depth of 25 mm (1.0 in.) is required.
- Gently tap the wall anchors (9) into the drilled holes until flush with the wall surface.
- Press plastic retaining clips (6) through the panel and into the L bracket.
- Refit and secure the pipe cover enclosure to the L brackets (5) using the screws (7) and plastic washers (8).
- Secure the pipe cover to the wall through the back bottom frame (1) with two screws (10).

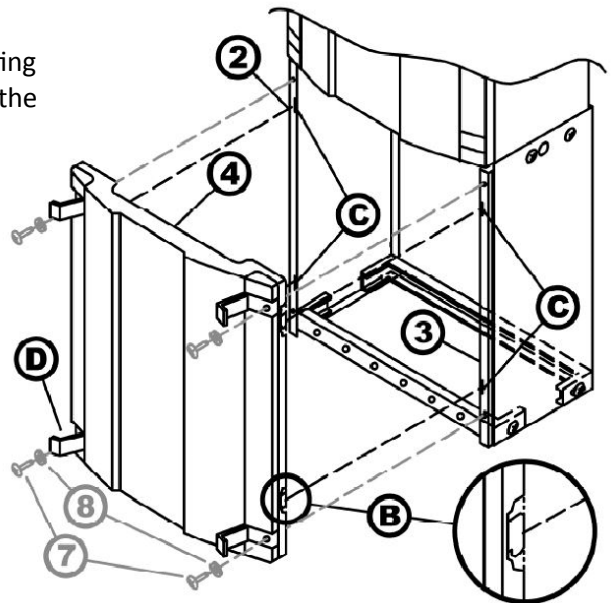


Front Panel Installation

- Attach the front panel (4) to the pipe cover enclosure by inserting the four tab hooks on the front panel (B) into the slots (C) of the left panel (2) and right panel (3) (see tab hook and slot detail below).



- DO NOT perform the following instructions on Australian installations:** To secure the front panel (4) to the pipe cover enclosure, open the four tabs at the top and bottom corners and secure with screws (7) and plastic washers (8). Next, close the tabs.



NOTE: Some models do not include plastic covers, for these applications secure front panel to the pipe cover enclosure with screws (7) and plastic washers (8).

U290-1022X03(00) 100000403(01)

