

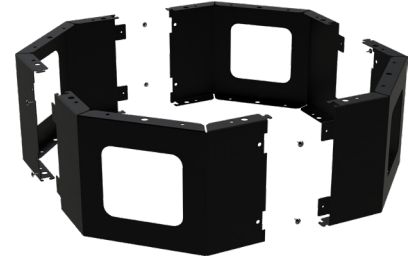
ReadyFit cylinder plinth kit (R1000) Assembly / installation guide

Description

Designed as a base to perfectly match the ReadyFit 135/180 L cylinders. The cylinders and drip tray simply sit on the plinth, no fixings required. A potential time saver for installations as trades will not need to construct a customised base.

It comes as an easy to assemble flat pack kit and is constructed of black powder coated galvanised steel.

The ReadyFit plinth kit can accommodate a variety of fitting options.



Assembly

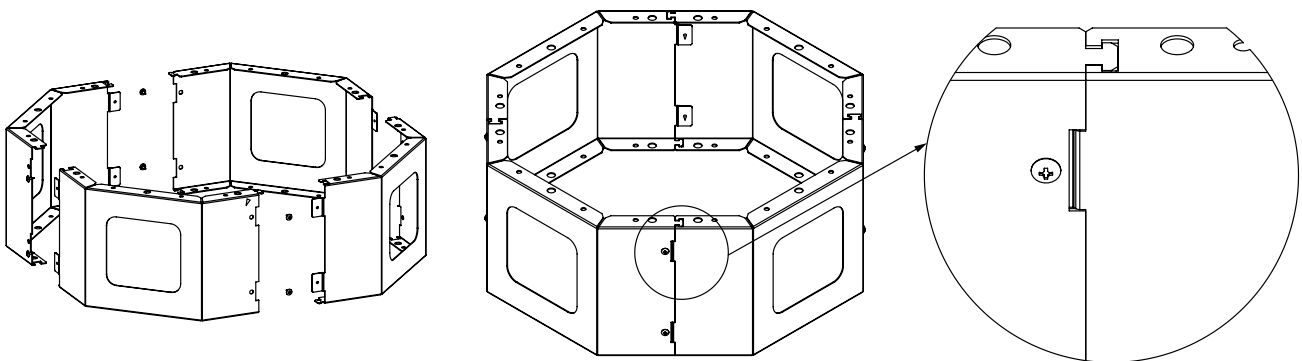
Unpack the plinth kit, ensure all components have been supplied (four panels and eight screws). Assemble by locking panels together and fixing with the supplied screws—two per panel.

Fix the plinth to the floor using the 6 mm or 10 mm holes in the bottom flange of the plinth. Orientation of the plinth to the cylinder is not important, the plinth can be rotated to suit the pipe work as required.

Position the cylinder and drip tray **CENTRALLY** on the plinth—this is critical. No part of the plinth top edge should be visible when correctly installed.



DO NOT cut or modify the plinth panels in any way.



ReadyFit cylinder plinth kit (R1000) Assembly / installation guide

Dimensions (mm)

