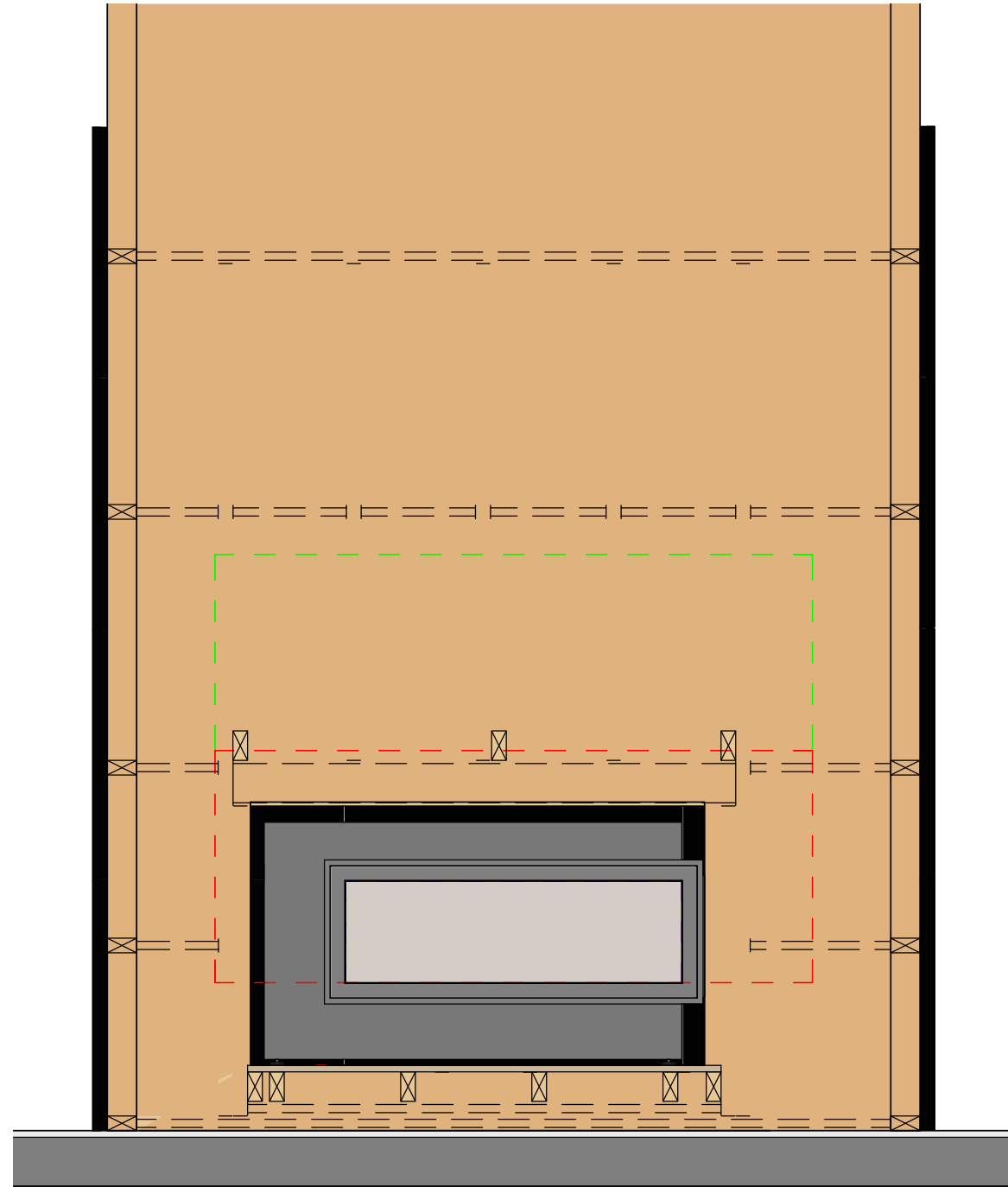
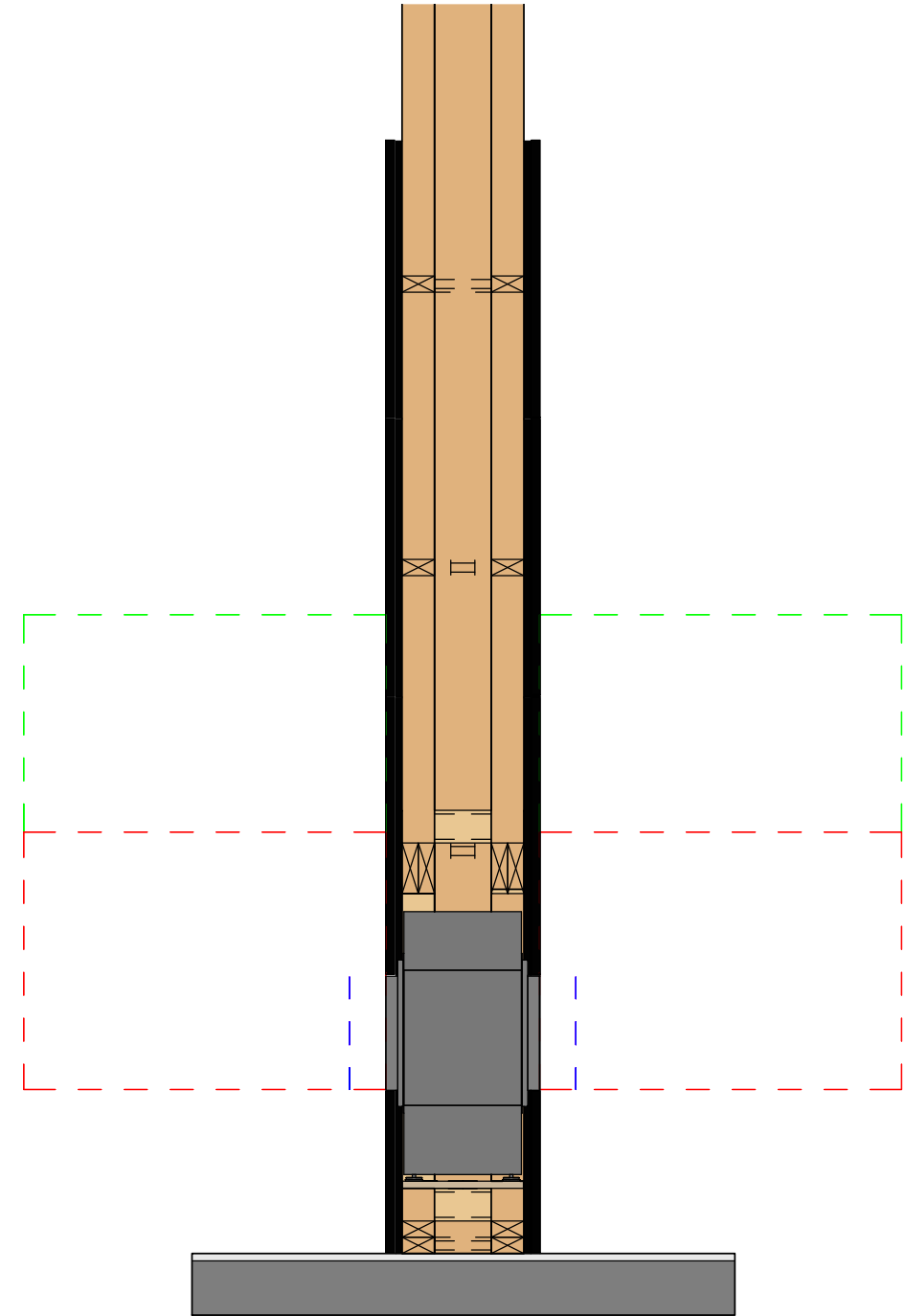


Note:
Non Combustable zones require the use of non combustable framing and linings.



Section Along
1 : 20



Section
1 : 20

Original Sheet Size A3 Note that designs illustrated are indicative examples only and will require specific design.

© 2019 Rinnai New Zealand Ltd. Rinnai is constantly improving its products, and as such, all information and specifications are subject to change or variation without notice.



Linear Fire 1000 - Double Sided
Section
Sections

0800 746 624
Family: linear1000_ds
Type: Linear
Scale: 1 : 20
July 2019

Sheet: rinnai_linear1000_ds_030