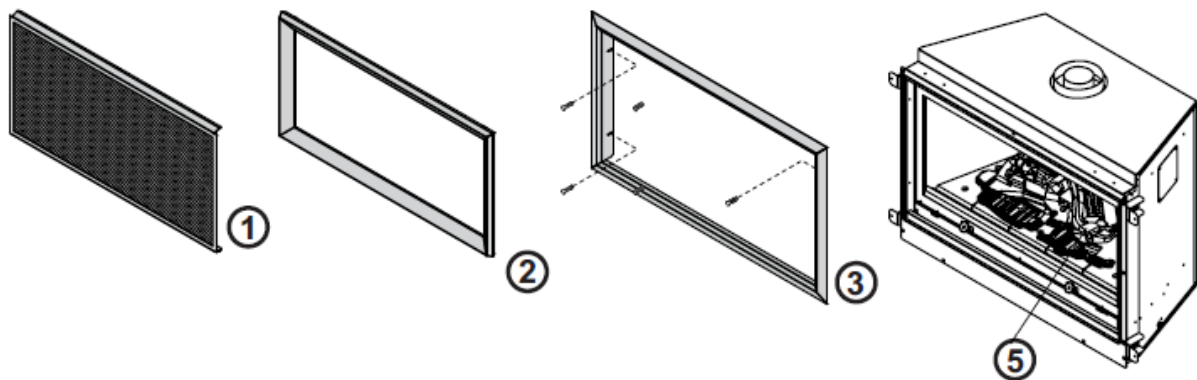


MESH DRESSGUARD INSTALLATION

No fixing is required. The mesh dressguard inserts flush over the inner frame by hooking on to the top and then pushing in the bottom.

Ensure that the Glass Panel ⑤, Outer Frame ③ and Inner Frame ② have all been re-attached to the fire.



Hang the top edge of the mesh dress guard ① over the top of the inner frame ②.

Ensure the frame of the mesh guard ① is centered and aligned with the edges of the inner frame ②

Gently swing the bottom edge of the mesh dress guard ① down in until it clips under the bottom edge of the inner frame ②.

Gently apply pressure along the bottom edge of the mesh dress guard frame to ensure it is securely attached

* Note: Outer Frame ③ is not required for Frameless or Granite Surround installations.