

# Energysaver back spacer kit

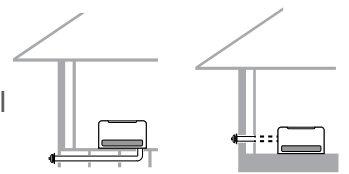
## Installation guide

Before installation check for damage. Do not install any damaged items. Check all components have been supplied, and read these instructions to get an overview of the steps required before starting.

### Kit codes:

- ESBSKE 309FT/FT3 back spacer kit
- ESBSKF 559FT/FT3 back spacer kit
- ESBSKG 561FT/FT3 back spacer kit
- ESBSKH 1005FT/FT3 back spacer kit

The back spacer kit covers and protects the flue elbow connection, and provides the required clearances for down-and-out, and sideways front-of-wall flueing installations.



### Kit contents

- Left and right spacer panels
- Top spacer panel
- Flue elbow connection
- Plastic edging seal (protective edge for flue pipe cutout in side spacer panel—sideways front-of-wall installs only)
- Extended side panel brackets (1005 only)

### Back spacer kit assembly

The back spacer kit is used instead of the rear panels supplied with each Energysaver. The screws and wall brackets provided with the heater are required for assembly—do not discard these items.



The rear panels/back spacer kit are not optional components. They must be fitted to ensure the correct and safe operation of the appliance. Failure to fit the panels will void any warranty.

The back spacer kit adds approximately 115 mm of additional length.

- Standard rear panel depth 85 mm
- Back spacer panel depth 200 mm

309FT with standard rear panels



561FT with back spacer kit



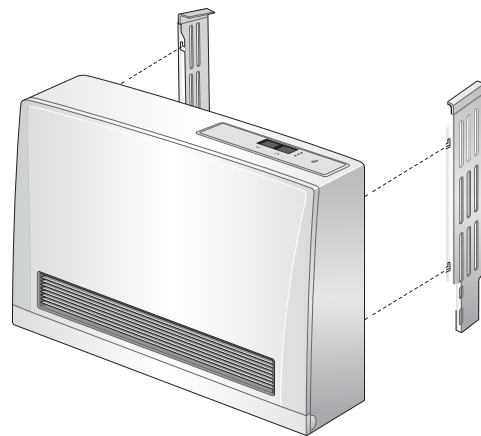
1005FT with back spacer kit



# Energysaver back spacer kit

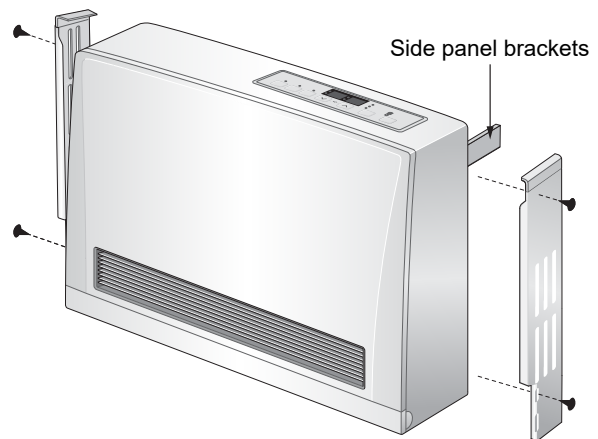
## Back spacer kit assembly continued

1. If you have the 1005FT model remove the existing side panel brackets and replace with the extended side panel brackets supplied with the back spacer kit. Make sure the lip faces outwards—refer image below.

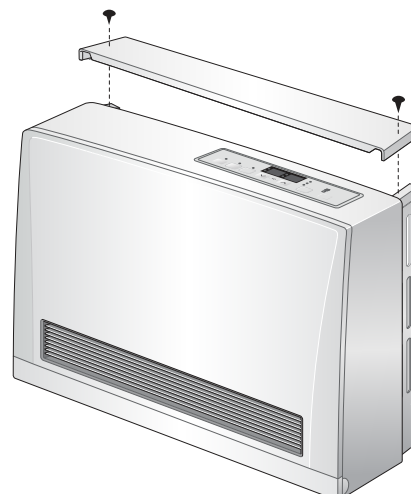


Fitting the left and rear side panels

2. Remove the filter(s).
3. Fit the left and right side panels to the rear of the appliance and fasten into position using the two 6 g x 8 mm self tapping screws provided. The 309, 55(, and 561 panels will slot into the unit's location tabs. The 1005 panels will screw into the side panel and appliance brackets.
4. Fit the top cover panel ensuring the rear fold locates neatly between the two securing brackets and the wall. Secure in place with the head screws supplied (two screws for the 309, 559, and 561, and three screws for the 1005).
5. Insert the filter(s).



1005 - position of side panel brackets



Fitting the top cover panel