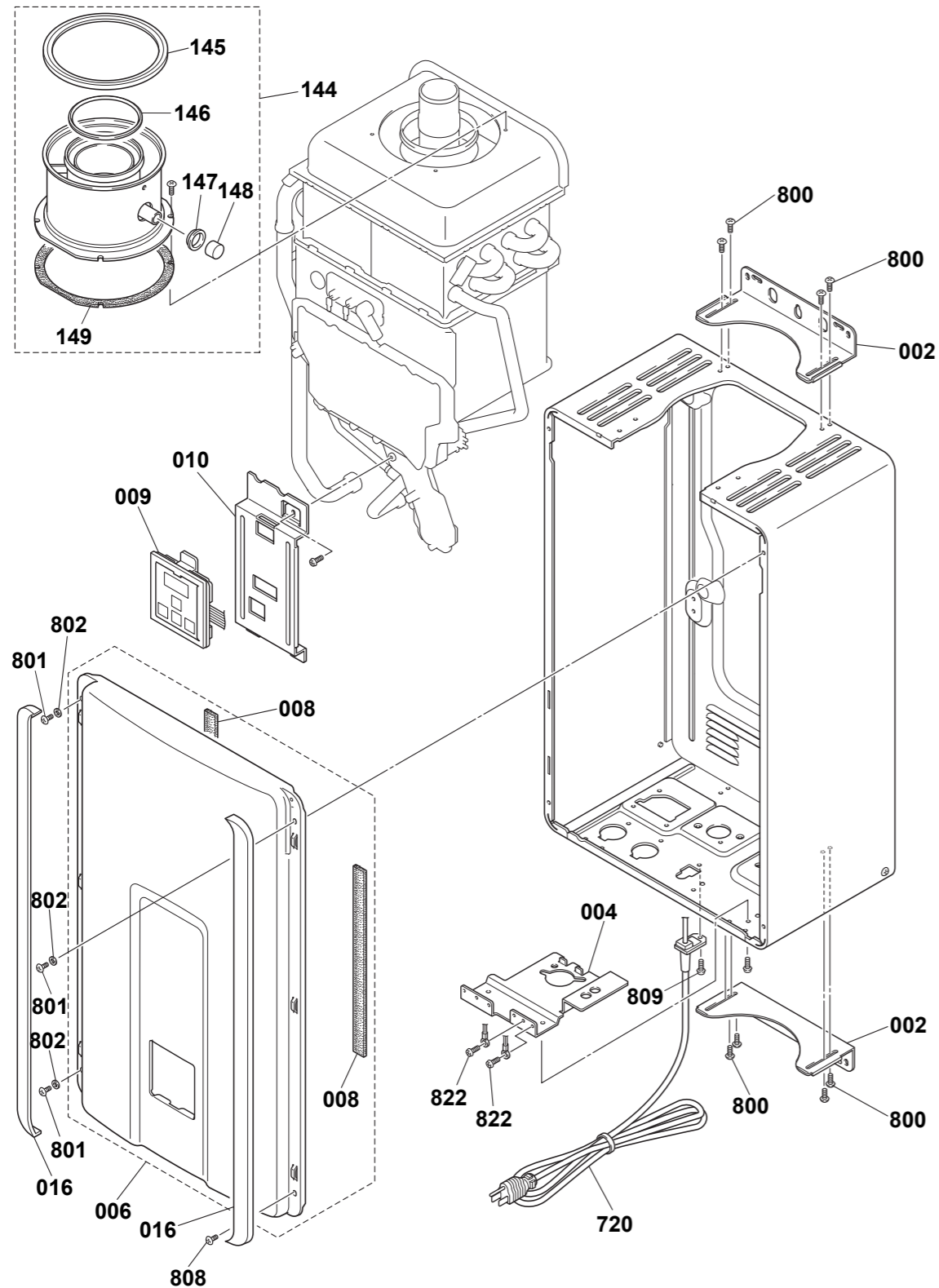
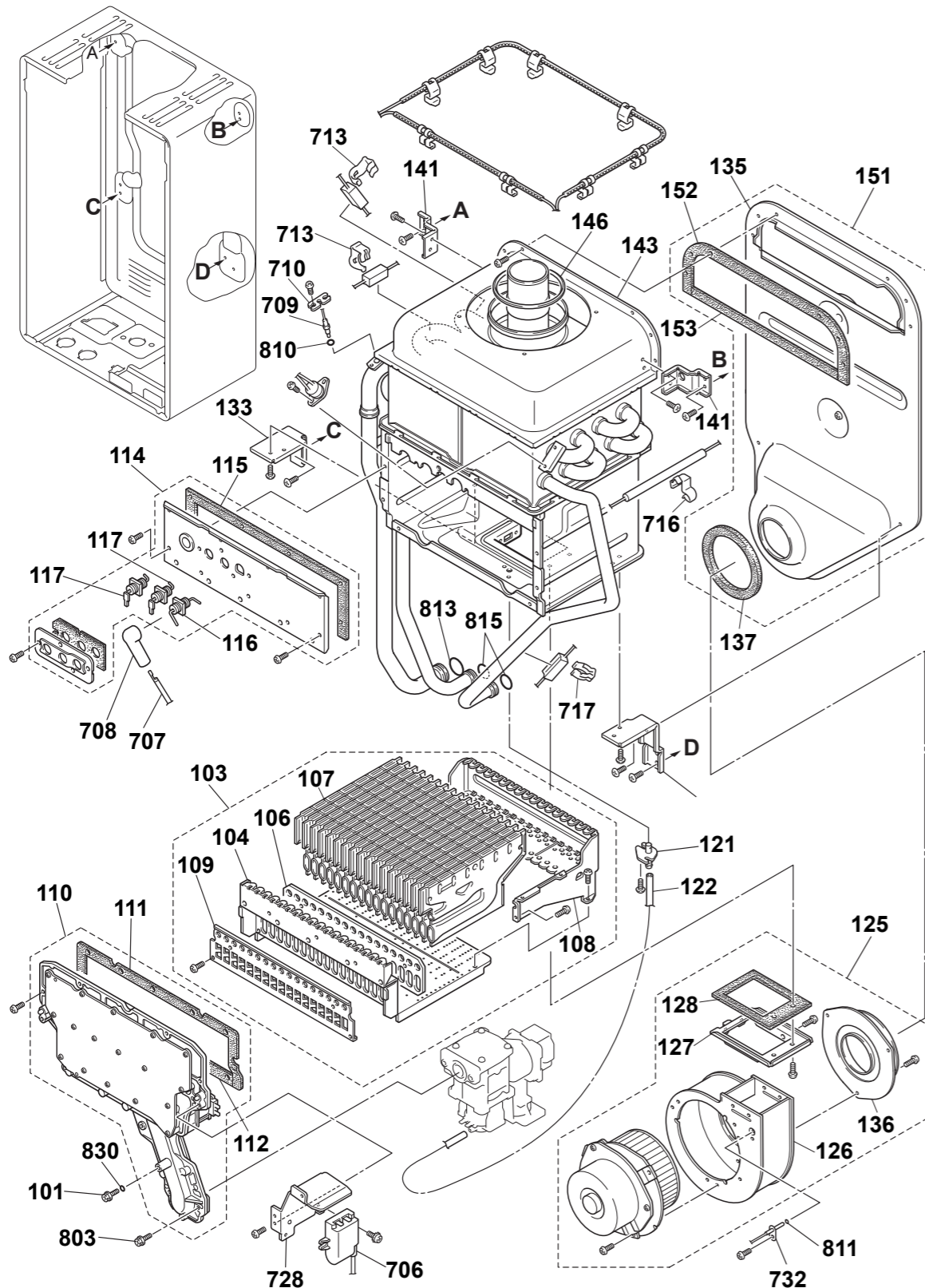


This diagram is provided to assist you to identify parts if replacement is necessary. Contact your place of purchase or the manufacturer to enquire about parts, availability and/or service.



| Ref. | Description | Part No. |
|------|---------------------------------|----------|
| 002 | Wall bracket INFINITY | 40446 |
| 004 | Connection reinforcement panel | 40429 |
| 006 | Front panel assembly euro white | 40448 |
| 008 | Front panel packing side | 40408 |
| 009 | Inbuilt controller A28i | 40450 |
| 010 | Inbuilt controller fixing plate | 40409 |
| 016 | Front cover trim | 40370 |
| 144 | Flue outlet assembly | 40419 |
| 145 | Seal ring internal | 4978 |
| 146 | O-ring internal | 4977 |
| 147 | Pipe seal | 40420 |
| 148 | Condensate cap | 4980 |
| 149 | Exhaust pipe packing | 40421 |
| 720 | Power cord | 40195 |
| 800 | Truss screw | 40427 |
| 801 | Truss screw front panel | 2939 |
| 802 | Washer AU33-184X01 | 4762 |
| 806 | Screw pack INF front panel | R5040 |
| 808 | Earth screw INF front panel | 2897 |
| 809 | Power cord fixing screw | 40444 |
| 822 | Screw earth pole | 40316 |

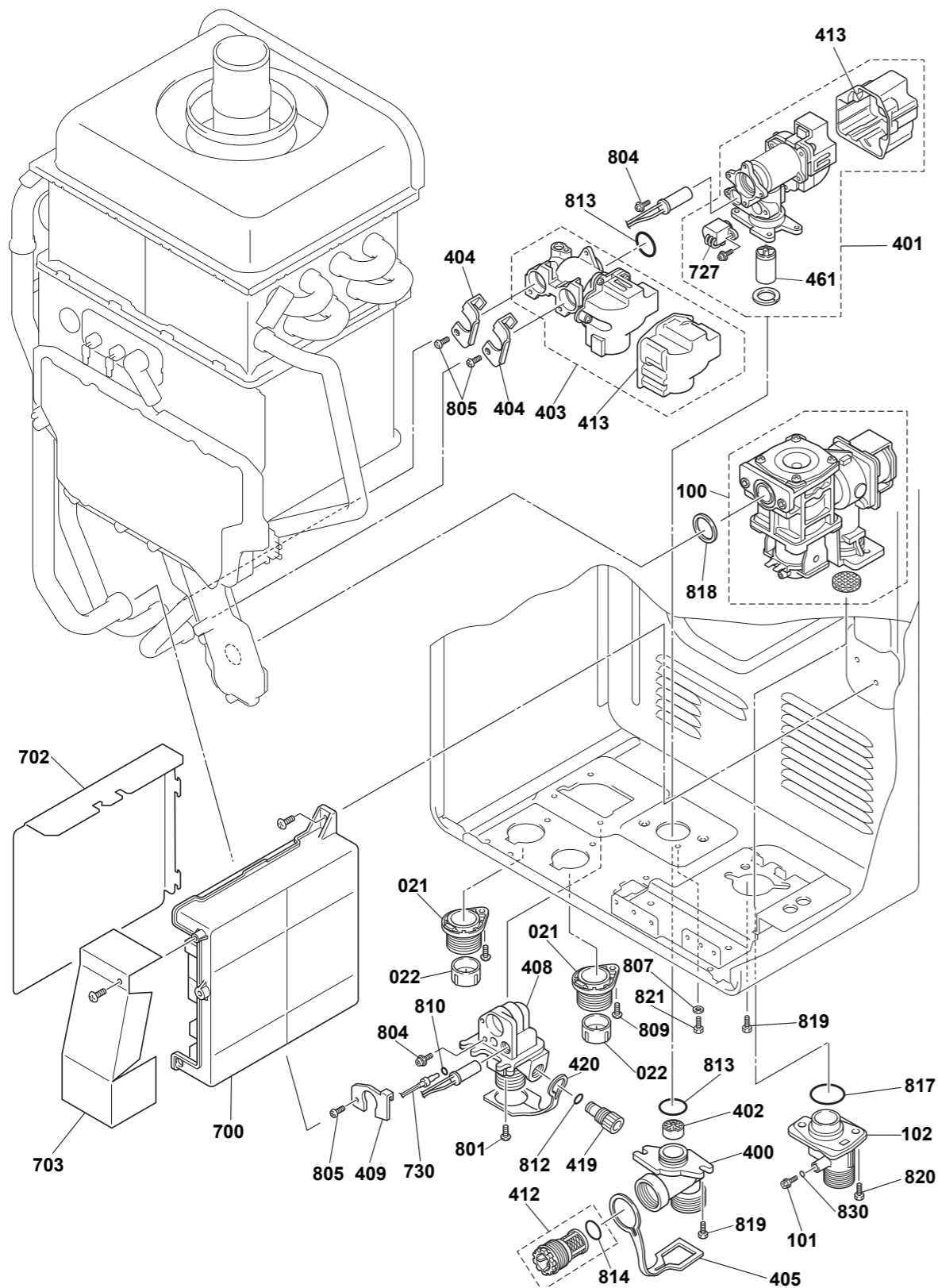
This diagram is provided to assist you to identify parts if replacement is necessary. Contact your place of purchase or the manufacturer to enquire about parts, availability and/or service.



| Ref. | Description | Part No. |
|------|-----------------------------------|----------|
| 101 | Test point screw | 40338 |
| 103 | Burner unit assembly NG | 40372 |
| 103 | Burner unit assembly LPG | 40434 |
| 104 | Burner case front panel | 40373 |
| 106 | Gasket burner case front | 40374 |
| 107 | Lean and rich burner assembly | 3440 |
| 108 | Burner case back plate | 40375 |
| 109 | Damper NG | 40376 |
| 109 | Damper LPG | 40435 |
| 110 | Manifold assembly LPG | 40377 |
| 110 | Manifold assembly NG | 40378 |
| 111 | Combustion chamber packing upper | 40379 |
| 112 | Combustion chamber packing lower | 40380 |
| 114 | Combustion chamber assembly front | 40436 |
| 115 | Gasket combustion chamber | 40382 |
| 116 | Electrode | 40383 |
| 117 | Flame rod | 5694 |
| 121 | Back pressure joint | 3604 |
| 122 | Tube G | 40410 |
| 125 | Fan motor assembly | 40451 |
| 126 | Fan casing assembly | 40411 |
| 127 | Fan connection bracket | 40387 |
| 128 | Fan connection seal | 40388 |
| 132 | Heat exchanger bracket right | 40413 |
| 133 | Heat exchanger bracket left | 40414 |
| 135 | Air inlet | 40415 |
| 136 | Fan bracket | 40416 |
| 137 | Seal packing | 40417 |

| Ref. | Description | Part No. |
|------|--------------------------------|----------|
| 141 | Heat exchanger bracket top | 40418 |
| 143 | Heat exchanger assembly | 40452 |
| 146 | O-ring | 4977 |
| 151 | Air inlet assembly | 40422 |
| 152 | Duct packing upper | 40423 |
| 153 | Duct packing lower | 40424 |
| 706 | Ignitor assembly | 2886 |
| 707 | High tension lead | 3651 |
| 708 | Electrode sleeve | 3475 |
| 709 | Thermistor | 40440 |
| 710 | Thermistor clip | 3882 |
| 713 | Heater clip | 40425 |
| 716 | Antifrost heater clip circular | 40397 |
| 717 | Heater fixing plate A | 2032 |
| 728 | Igniter fixing plate | 40400 |
| 732 | Air intake thermistor | 40454 |
| 803 | Manifold fixing screw | 5740 |
| 810 | O-ring M10B-2-4 | 3832 |
| 811 | O-ring M10B-2-3 | 2974 |
| 813 | O-ring M10B-2-18 | 3627 |
| 815 | O-ring M10B-2-14 | 3826 |
| 830 | O-ring M10B-13-4 | 40224 |

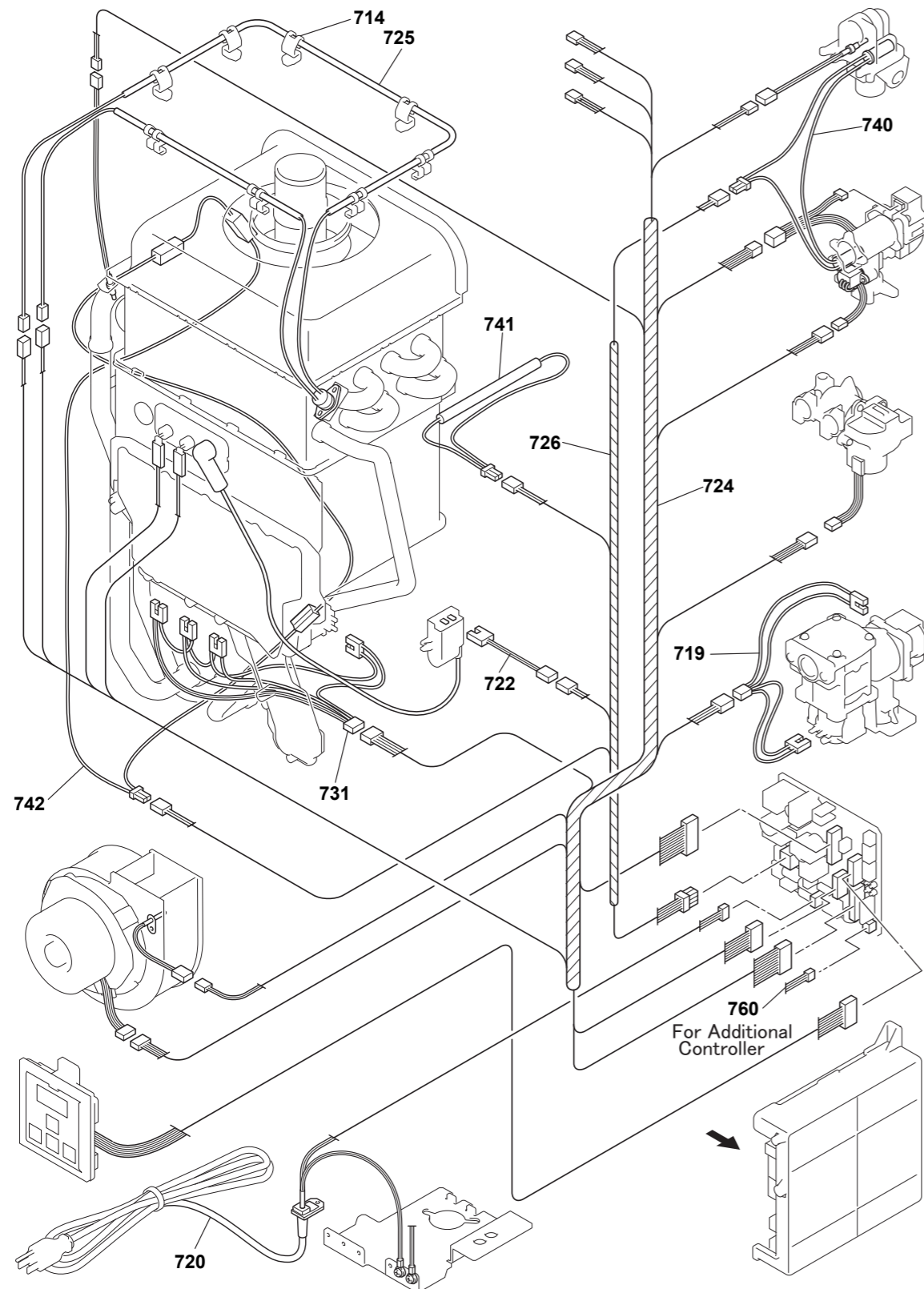
This diagram is provided to assist you to identify parts if replacement is necessary. Contact your place of purchase or the manufacturer to enquire about parts, availability and/or service.



| Ref. | Description | Part No. |
|------|-----------------------------|----------|
| 021 | Cable connection | 40431 |
| 022 | Cable seal packing | 3551 |
| 100 | Gas control assembly | 40432 |
| 101 | Test point screw | 40338 |
| 102 | Gas connection 3/4 | 40433 |
| 400 | Water inlet 3/4 | 3484 |
| 401 | Water flow servo and sensor | 40393 |
| 402 | Flow straightener | 3487 |
| 403 | Bypass servo assembly | 40394 |
| 404 | Fixing bracket | 3624 |
| 405 | Plug band inlet | 2927 |
| 408 | Hot water outlet 3/4 | 5706 |
| 409 | Fixing bracket | 3948 |
| 412 | Incoming water filter | 3839 |
| 413 | Water flow servo cover | 4171 |
| 419 | Drain valve | 3491 |
| 420 | Plug band | 5707 |
| 461 | Water flow turbine | 40256 |
| 700 | PCB main assembly | 40438 |
| 702 | Sub circuit board cover | 40396 |
| 703 | PCB cover | 40439 |
| 727 | MR sensor | 5239 |
| 730 | Twin thermistor | 40194 |
| 801 | Truss screw front panel | 2939 |
| 804 | Thermistor stop screw | 3241 |
| 805 | Screw ZAA0408UK | 5244 |
| 807 | Gas connection screw washer | 5741 |
| 809 | Power cord fixing screw | 40444 |
| 810 | O-ring M10B-2-4 | 3832 |
| 812 | O-ring M10B-2-7 | 1031 |
| 813 | O-ring M10B-2-18 | 3627 |
| 814 | O-ring M10B-2-16 | 1244 |

| Ref. | Description | Part No. |
|------|--------------------------------|----------|
| 817 | Gas inlet o-ring M10B-1-21 | 3837 |
| 818 | Packing | 5255 |
| 819 | Hexagon head screw ZQAA0512UK | 4770 |
| 820 | Hexagon head screw ZQAA05114UK | 4771 |
| 821 | Screw ZQAA0508UK | 4772 |
| 830 | O-ring M10-13-4 | 40224 |

This diagram is provided to assist you to identify parts if replacement is necessary. Contact your place of purchase or the manufacturer to enquire about parts, availability and/or service.



| Ref. | Description | Part No. |
|------|--|----------|
| 714 | Thermal fuse fixing plate | 4899 |
| 719 | Main solenoid harness | 40441 |
| 720 | Power cord INF | 40195 |
| 722 | Igniter lead-2 | 40398 |
| 724 | Sensor harness | 40453 |
| 725 | Fuse harness | 40399 |
| 726 | Power relay harness | 40443 |
| 731 | Solenoid harness | 40401 |
| 740 | Valve heater-2 | 40403 |
| 741 | Ceramic antifrost heater | 40404 |
| 742 | Block heater FF-2 | 40426 |
| 760 | Remote control lead (pre-wired mini plug) (1 is supplied with each unit—located with guides in a small plastic bag) | 40293 |