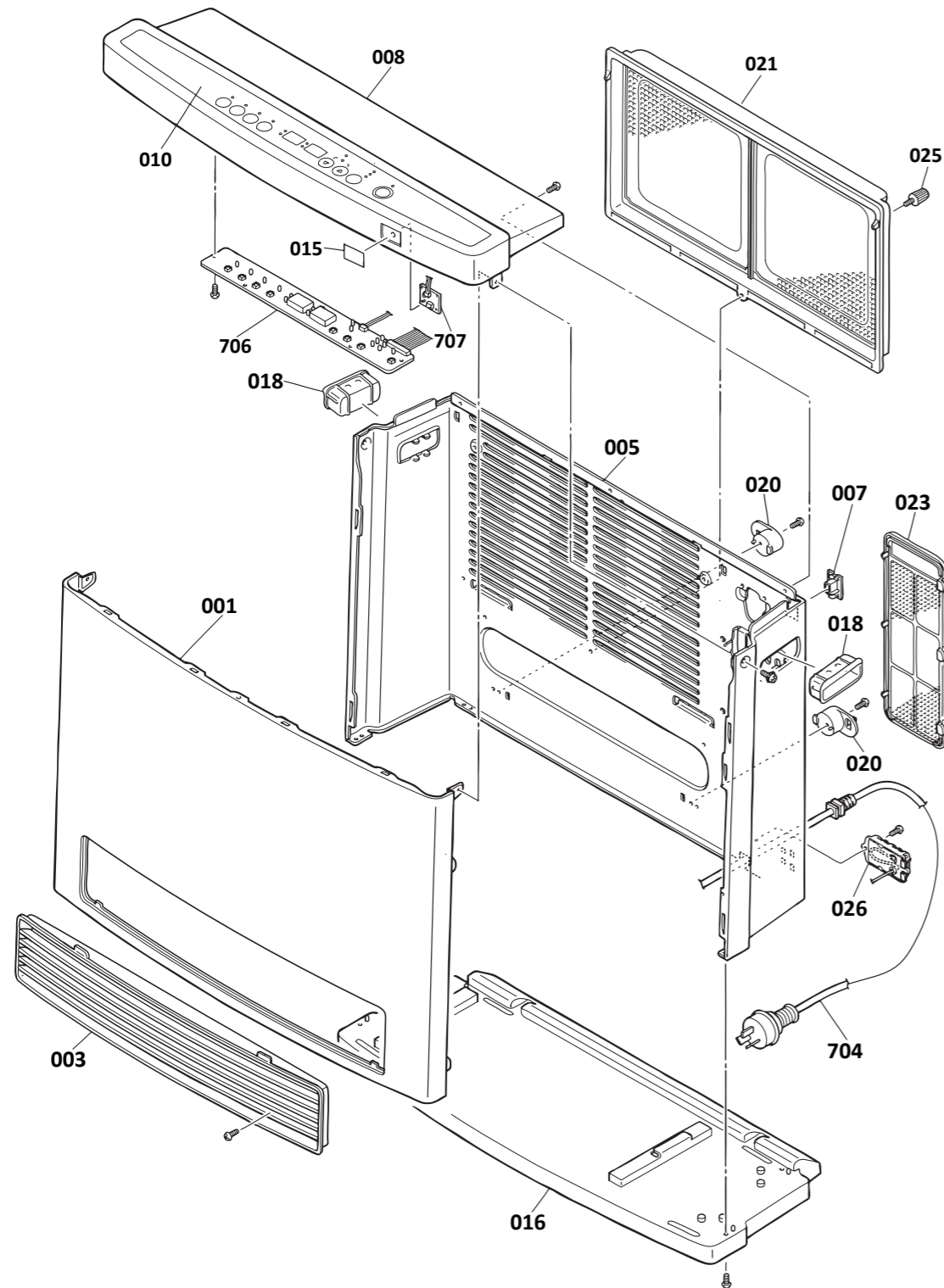


Portable convector Blaze (RCE571TR) heater

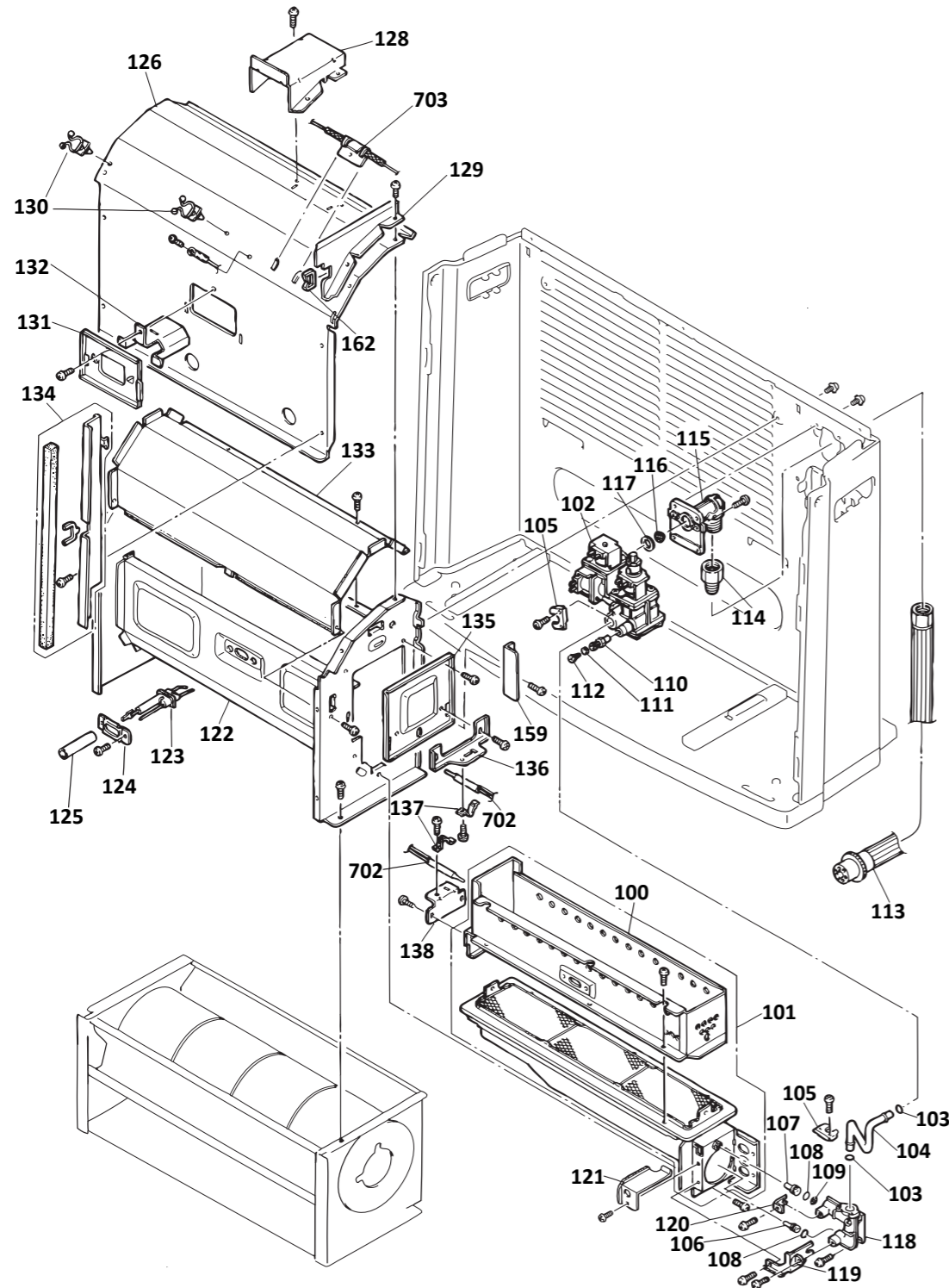
This diagram is provided to assist you to identify parts if replacement is necessary. Contact your place of purchase or the manufacturer to enquire about parts, availability and/or service.



| Ref. | Description | Qty. | Part No. |
|---------------------|---|------|------------|
| (SI) = stocked item | | | |
| 001 | Front panel white | 1 | 5587 |
| 003 | Air discharge | 1 | 5614 |
| 005 | Rear panel white | 1 | 5576 |
| 007 | Thermocouple check holder | 1 | 5619 |
| 008 | Top panel assembly white (with 010, 015, 706) | 1 | 5571 (SI) |
| 010 | Control panel overlay | 1 | 5604 |
| 015 | Infra-red receiver cover (part of # 008 top panel assembly) | - | - |
| 016 | Base panel white | 1 | 5579 |
| 018 | Handle | 2 | 1856 (SI) |
| 020 | Power cord holder | 1 | 6445 (SI) |
| 021 | Air filter | 1 | 5582 |
| 023 | Plastic filter | 1 | 2095 (SI) |
| 025 | Plastic head filter screw | 1 | 5658 |
| 026 | Thermistor cover | 1 | 5616 |
| 704 | Power cord assembly | 1 | 5648 |
| 706 | Control board (part of # 008 top panel assembly) | - | - |
| 707 | Remote receiver | 1 | 5642 |
| - | Remote control (Please note: CR2025 cell battery not included) | 1 | 13100 (SI) |

Portable convector Blaze (RCE571TR) heater

This diagram is provided to assist you to identify parts if replacement is necessary. Contact your place of purchase or the manufacturer to enquire about parts, availability and/or service.

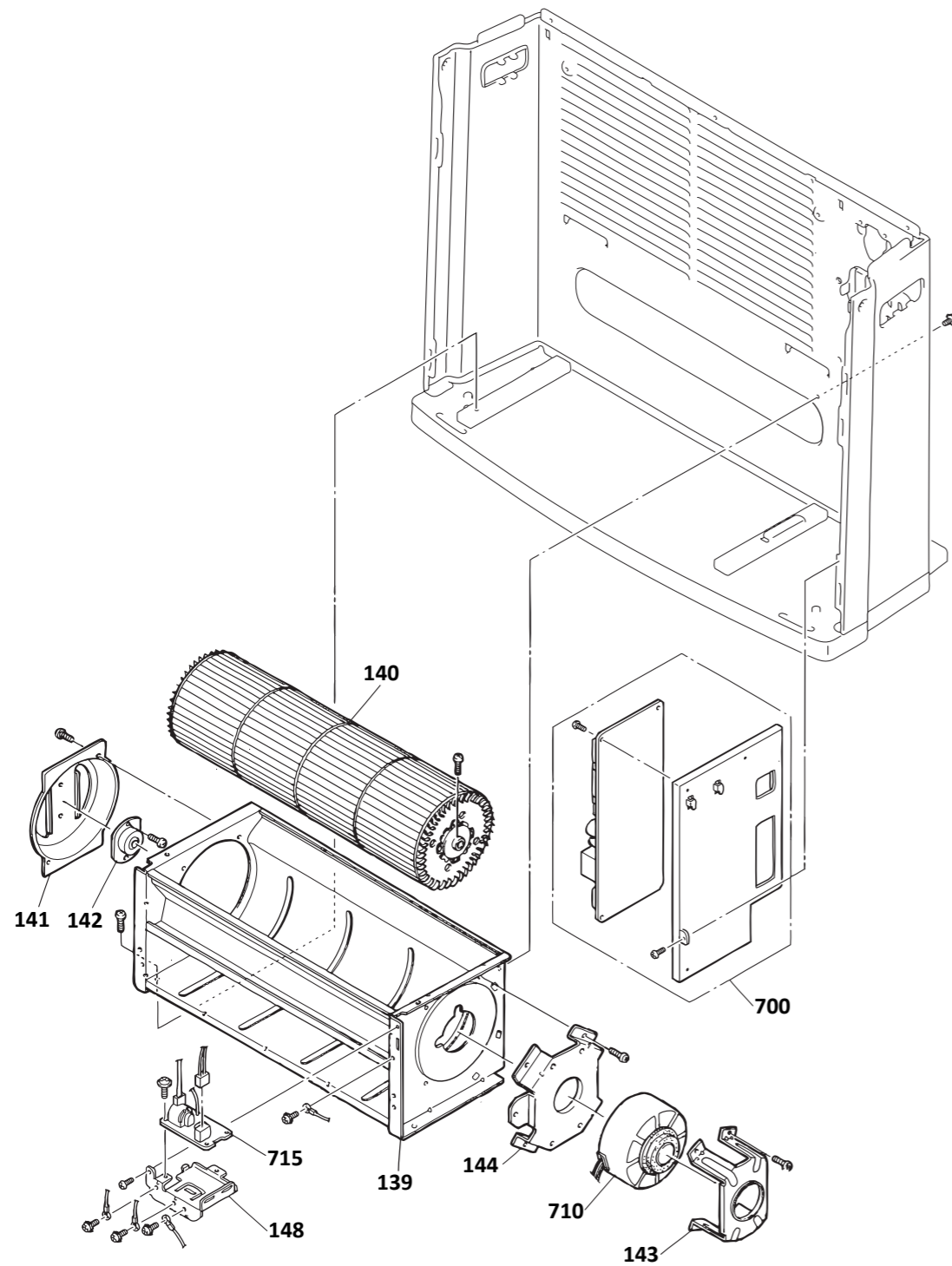


| Ref. | Description | Qty. | Part No. |
|---------------------|-------------------------------|------|--------------|
| (SI) = stocked item | | | |
| 100 | Burner surround | 1 | 5600 |
| 101 | Burner assembly | 1 | 5635 |
| 102 | Magnet modulating valve assy. | 1 | 5623 (SI) |
| 103 | O-ring (M10B-1-8, 10 pieces) | 2 | 6642 (SI) |
| 104 | Connecting tube | 1 | 5622 |
| 105 | Connection tube clip | 2 | 2524 (SI) |
| 106 | Main injector NG | 1 | 5629 |
| 106 | Main injector LPG | 1 | 5627 |
| 107 | Pilot injector NG | 1 | 5632 |
| 107 | Pilot injector LPG | 1 | 5631 |
| 108 | O-ring (M10B-1-5, 10 pieces) | 2 | 1142 (SI) |
| 109 | Injector filter | 1 | 5583 |
| 110 | Pressure point | 1 | 5657 |
| 111 | O-ring (M10B-13-4, 10 pieces) | 1 | 2239 (SI) |
| 112 | Test point screw (5 pieces) | 1 | 3564 (SI) |
| 113 | Rinnai 10 mm mushroom hose | 1 | R2586HM (SI) |
| 114 | Hose connection bush | 1 | 5065 |
| 115 | Gas inlet L flange | 1 | 1865 (SI) |
| 116 | Gas filter | 1 | 4225 (SI) |
| 117 | Packing for gas connection | 1 | 10290 (SI) |
| 118 | Injector block | 1 | 5638 |
| 119 | Injector block tube retainer | 1 | 5666 |
| 120 | Pilot injector retainer | 1 | 5669 |
| 121 | Injector regulator plate | 1 | 5633 |
| 122 | Combustion chamber assy. | 1 | 5611 |
| 123 | Electrode | 1 | 5646 (SI) |
| 124 | Electrode retainer | 1 | 5659 |
| 125 | Silicon tube | 1 | 5660 |
| 126 | Combustion chamber hood | 1 | 5598 |
| 128 | Top panel support | 1 | 5670 |
| 129 | Upper partition plate | 1 | 5661 |

| Ref. | Description | Qty. | Part No. |
|------|-------------------------------|------|-----------|
| 130 | Cable clip | 2 | 6698 (SI) |
| 131 | Combustion chamber hood cover | 1 | 5594 |
| 132 | Heat insulation plate | 1 | 5592 |
| 133 | Hood deflection plate | 1 | 5664 |
| 134 | Partition plate assembly | 1 | 5662 |
| 135 | Burner cover | 1 | 5593 |
| 136 | TC2 mounting plate | 1 | 5673 |
| 137 | Thermocouple clamp | 2 | 2288 (SI) |
| 138 | Thermocouple bracket | 1 | 5674 |
| 159 | Back burner cover | 1 | 5617 |
| 162 | Edge protector | 1 | 1880 (SI) |
| 702 | Thermocouple assembly | 2 | 5624 (SI) |
| 703 | Thermal fuse harness | 1 | 5654 |

Portable convector Blaze (RCE571TR) heater

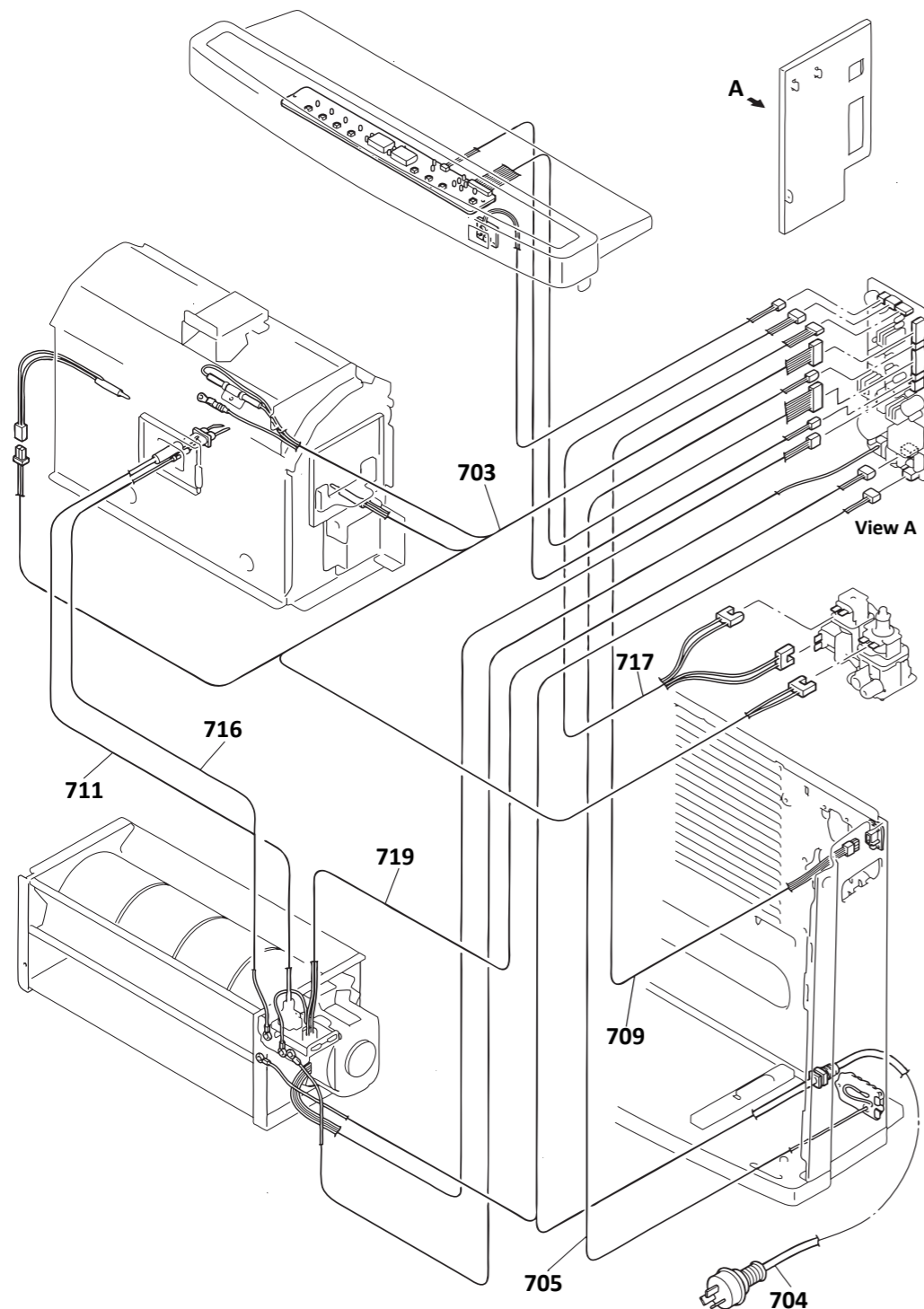
This diagram is provided to assist you to identify parts if replacement is necessary. Contact your place of purchase or the manufacturer to enquire about parts, availability and/or service.



| Ref. | Description | Qty. | Part No. |
|---------------------|--------------------------|------|-----------|
| (SI) = stocked item | | | |
| 139 | Casing assembly | 1 | 5618 |
| 140 | Convection fan | 1 | 2082 (SI) |
| - | Convection fan assembly | 1 | 5608 (SI) |
| 141 | Fan end housing | 1 | 5609 |
| 142 | Fan scroll mount | 1 | 5610 (SI) |
| 143 | Fan motor fixing plate A | 1 | 5671 |
| 144 | Fan motor fixing plate B | 1 | 5672 |
| 148 | Spacer fixing bracket | 1 | 5668 |
| 700 | PCB unit assembly | 1 | 5640 (SI) |
| 710 | Convection fan motor | 1 | 5650 (SI) |
| 715 | Sparker assembly | 1 | 6917 (SI) |

Portable convector Blaze (RCE571TR) heater

This diagram is provided to assist you to identify parts if replacement is necessary. Contact your place of purchase or the manufacturer to enquire about parts, availability and/or service.



| Ref. | Description | Qty. | Part No. |
|---------------------|--------------------------|------|-----------|
| (SI) = stocked item | | | |
| 703 | Thermal fuse harness | 1 | 5654 |
| 704 | Power cord assembly | 1 | 5648 |
| 705 | Thermistor assembly | 1 | 5651 (SI) |
| 709 | Thermocouple check lead | 1 | 5649 |
| 711 | High tension lead | 1 | 5647 (SI) |
| 716 | Spark return harness | 1 | 5653 (SI) |
| 717 | Modulating valve harness | 1 | 5655 |
| 719 | Ignition harness | 1 | 5656 |