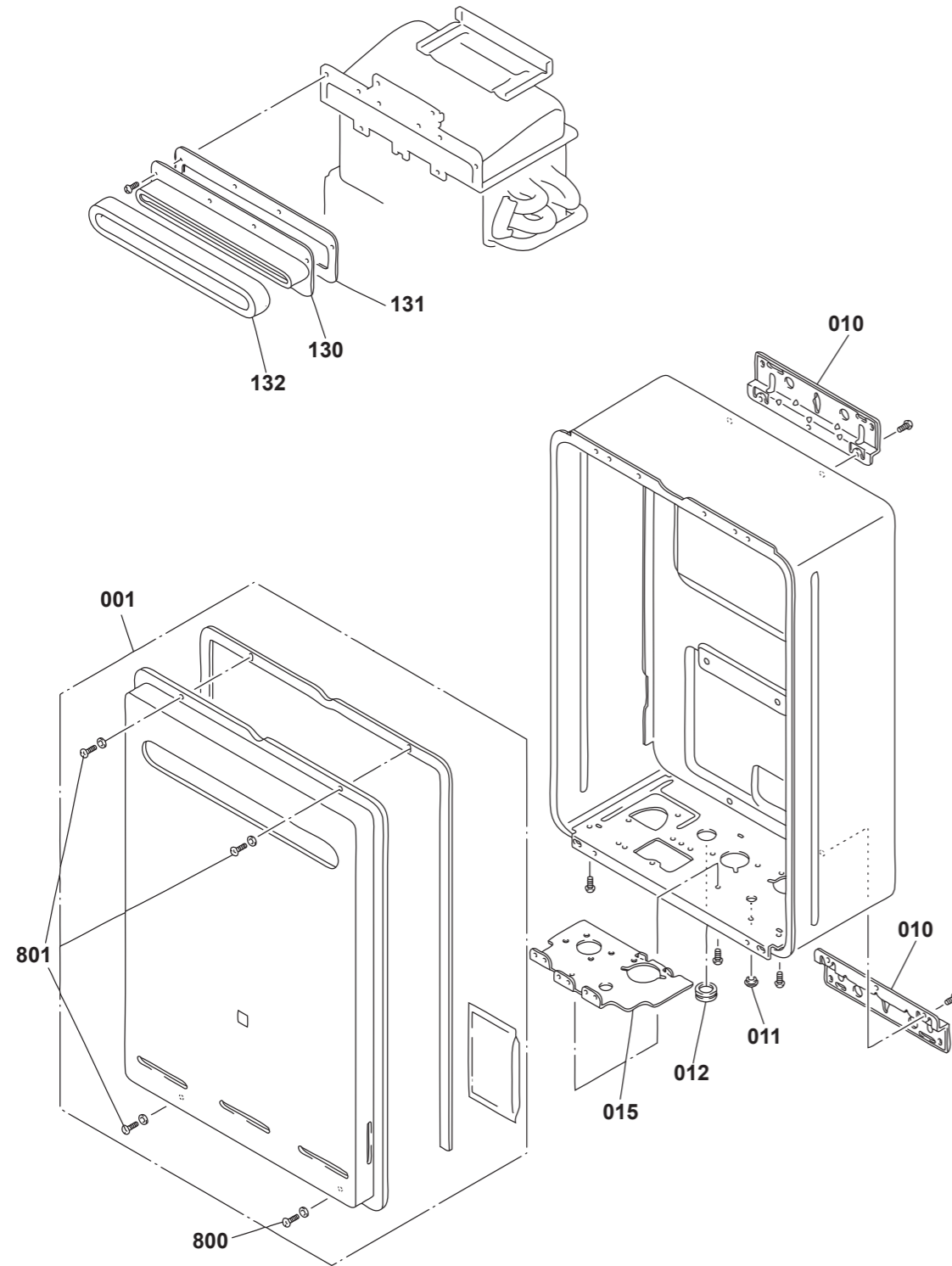
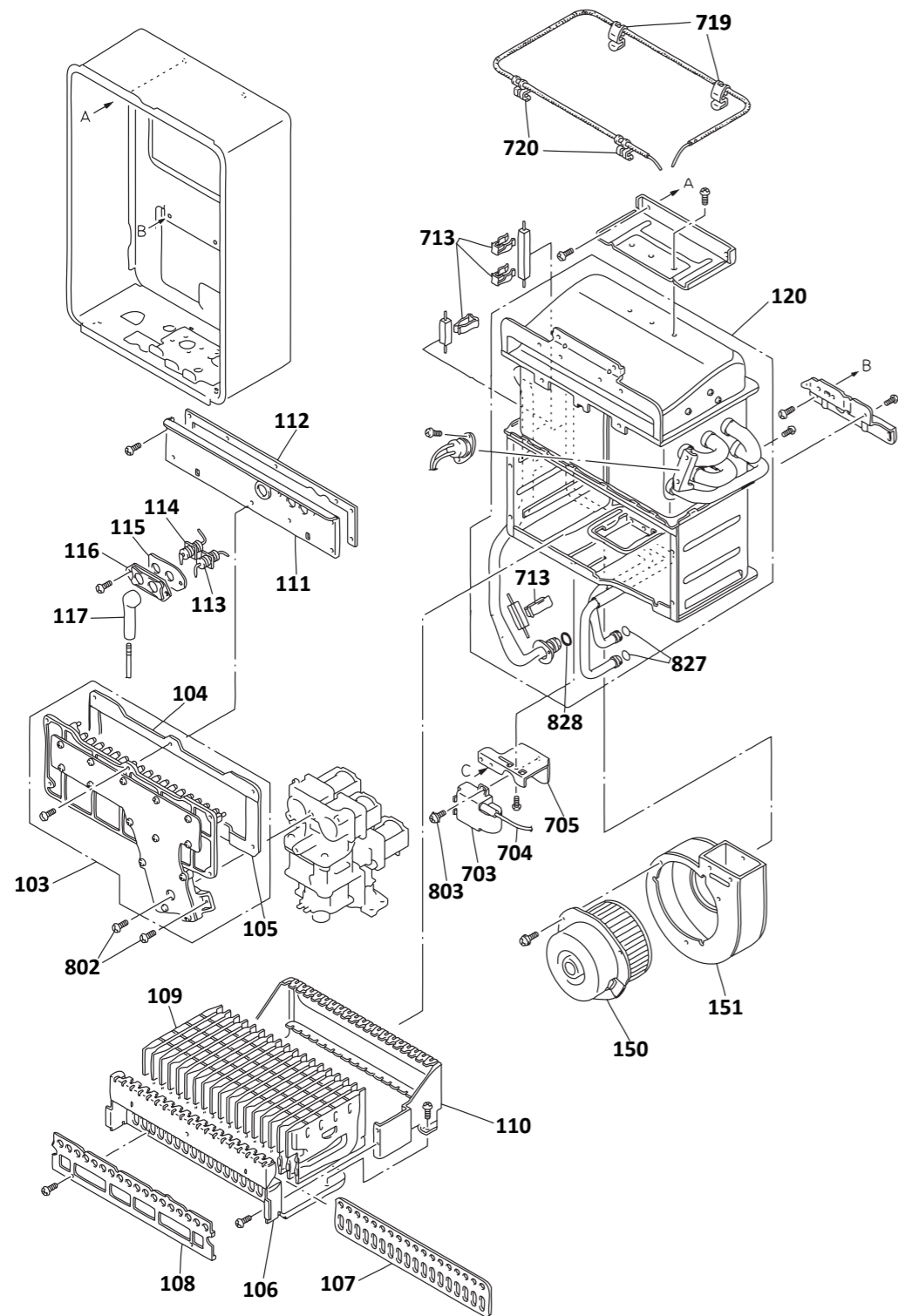


This diagram is provided to assist you to identify parts if replacement is necessary. Contact your place of purchase or the manufacturer to enquire about parts, availability and/or service.



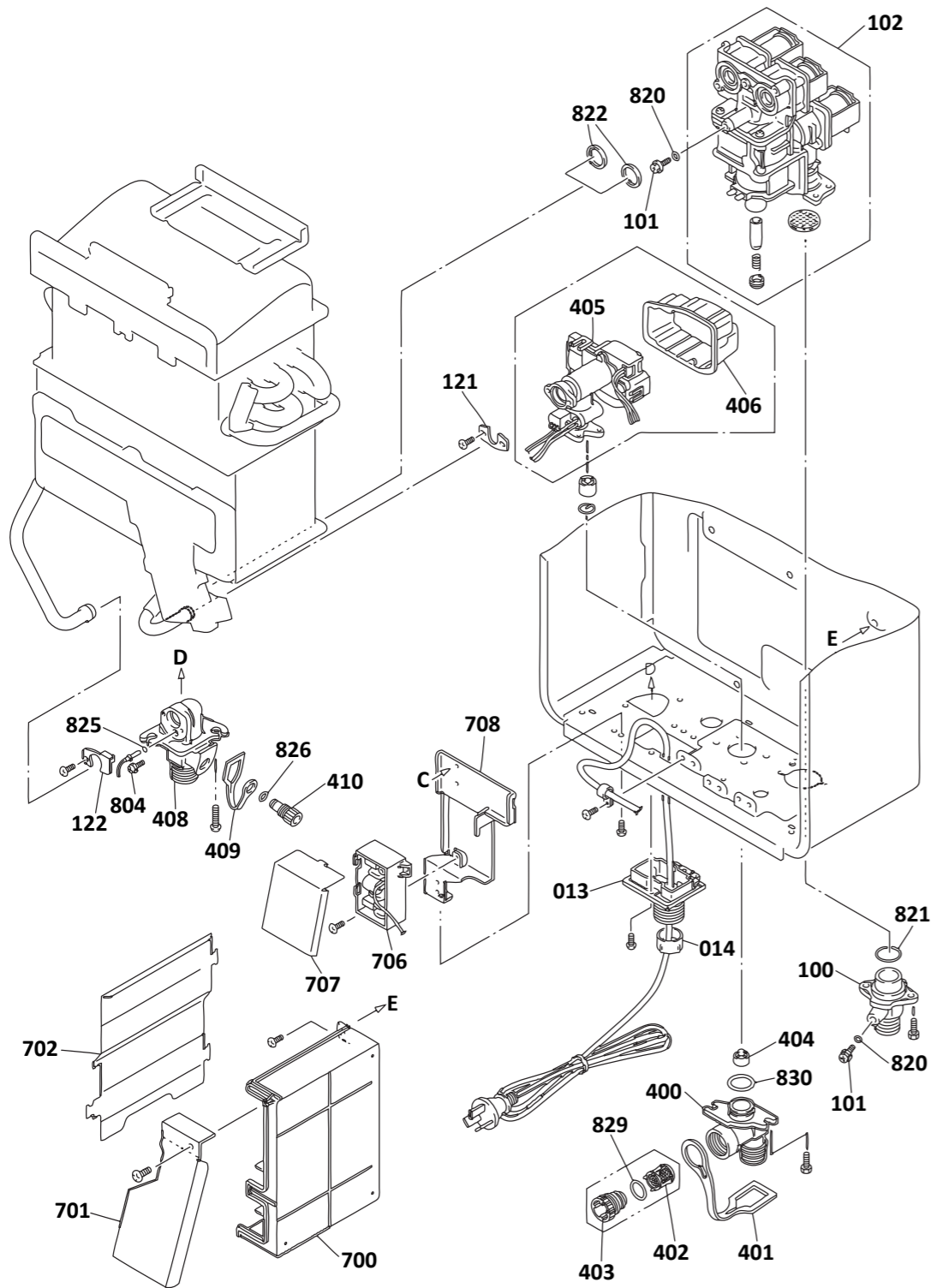
Ref.	Description	Qty.	Part No.
SI = stocked item			
001	Front panel assembly	1	3259 (SI)
010	Wall bracket	2	3387 (SI)
011	Seal packing	1	2898
012	Rubber bush C	1	2881
015	Connection reinforcement panel	1	2864
130	Flue outlet	1	3264
131	Flue outlet packing	1	3256
132	Main body seal packing	1	3284
800	Screw	1	2897
801	Truss screw	3	2939

This diagram is provided to assist you to identify parts if replacement is necessary. Contact your place of purchase or the manufacturer to enquire about parts, availability and/or service.



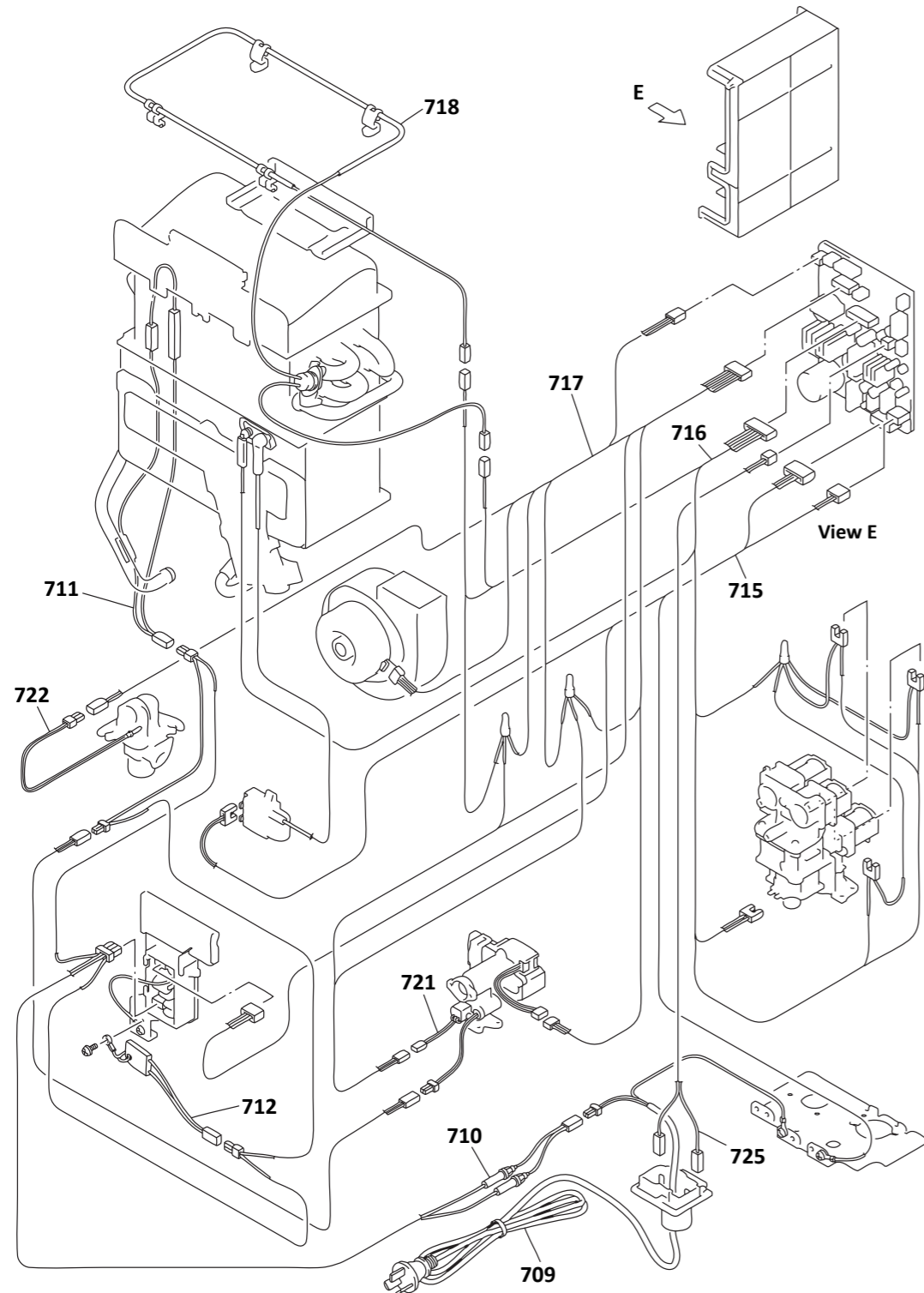
Ref.	Description	Qty.	Part No.
SI = stocked item			
103	Manifold assembly A LPG	1	4887 (SI)
103	Manifold assembly E NG	1	4888 (SI)
104	Manifold packing top	1	3250
105	Manifold packing lower	1	3251
106	Burner case front	1	3245
107	Packing	1	3255
108	Damper A	1	4890 (SI)
109	Lean & rich burner assembly	18	2941
110	Burner case rear	1	3247
111	Combustion chamber front	1	3242
112	Combustion chamber packing top	1	3257
113	Electrode	1	3445 (SI)
114	Flame rod electrode	1	4916 (SI)
115	Electrode packing	1	3465 (SI)
116	Electrode holder	1	3468 (SI)
117	Electrode sleeve	1	3465 (SI)
120	Heat exchanger assembly	1	4920 (SI)
-	Heat exchanger high acidity assembly	1	5325 (SI)
150	Fan motor assembly	1	5782 (SI)
151	Fan casing assembly	1	3404 (SI)
703	Ignitor assembly	1	2886 (SI)
704	HT lead universal	1	3651 (SI)
705	Ignitor fixing plate	1	3249
713	Heater fixing plate	4	2899
719	Temperature fuse fixing plate	2	3659 (SI)
720	Temperature fuse fixing plate	2	4899 (SI)
802	Screw	3	2938
803	Tapping screw	1	2896
827	O-ring	1	4912 (SI)
828	O-ring	1	3826 (SI)

This diagram is provided to assist you to identify parts if replacement is necessary. Contact your place of purchase or the manufacturer to enquire about parts, availability and/or service.



Ref.	Description	Qty.	Part No.
SI = stocked item			
013	Quick control connection	1	2877
014	Cable seal packing	1	2928
100	Gas connection	1	3074 (SI)
101	Test point screw	2	3564 (SI)
102	Gas control	1	5753 (SI)
121	Fixing bracket	1	3331 (SI)
122	Fixing bracket	1	3332 (SI)
400	Water inlet 3/4"	1	2894
401	Plug band inlet	1	2927 (SI)
402	Incoming water filter	1	3839 (SI)
404	Balancer	1	3487 (SI)
404a	Water turbine	1	2850
405	Water servo & sensor LPG	1	2944 (SI)
405	Water servo & sensor NG	1	2945 (SI)
406	Water servo cover	1	2871
408	Hot water outlet 3/4" NPT	1	3420
409	Plug band hot water	1	2926
410	Pressure relief valve	1	3491 (SI)
700	PCB main assembly	1	3238 (SI)
701	EC cover 2-Z	1	2872
702	PCB cover	1	2866
706	Surge protector	1	4930 (SI)
707	Sub circuit board cover	1	2873
708	Fixing plate	1	2925
804	Thermistor stop screw	1	3241
820	O-ring	2	2239 (SI)
821	Gas inlet o-ring	1	3837 (SI)
822	Packing	2	3773 (SI)
825	O-ring	1	3832 (SI)
829	O-ring	1	1244 (SI)
830	O-ring	1	3627 (SI)

This diagram is provided to assist you to identify parts if replacement is necessary. Contact your place of purchase or the manufacturer to enquire about parts, availability and/or service.



Ref.	Description	Qty.	Part No.
SI = stocked item			
709	Power cord	1	3526 (SI)
710	Fuse harness LPG	1	2855 (SI)
710	Fuse harness NG	1	2854 (SI)
711	Valve water heater assembly	1	4900 (SI)
712	Frost sensing switch	1	3358 (SI)
715	Electric power harness	1	2888 (SI)
716	Magnet valve harness	1	2889 (SI)
717	Sensor harness	1	3248 (SI)
718	Thermal fuse harness	1	4897 (SI)
721	MR sensor	1	3771 (SI)
722	Thermistor	1	2884 (SI)
725	Remote controller harness	1	2891