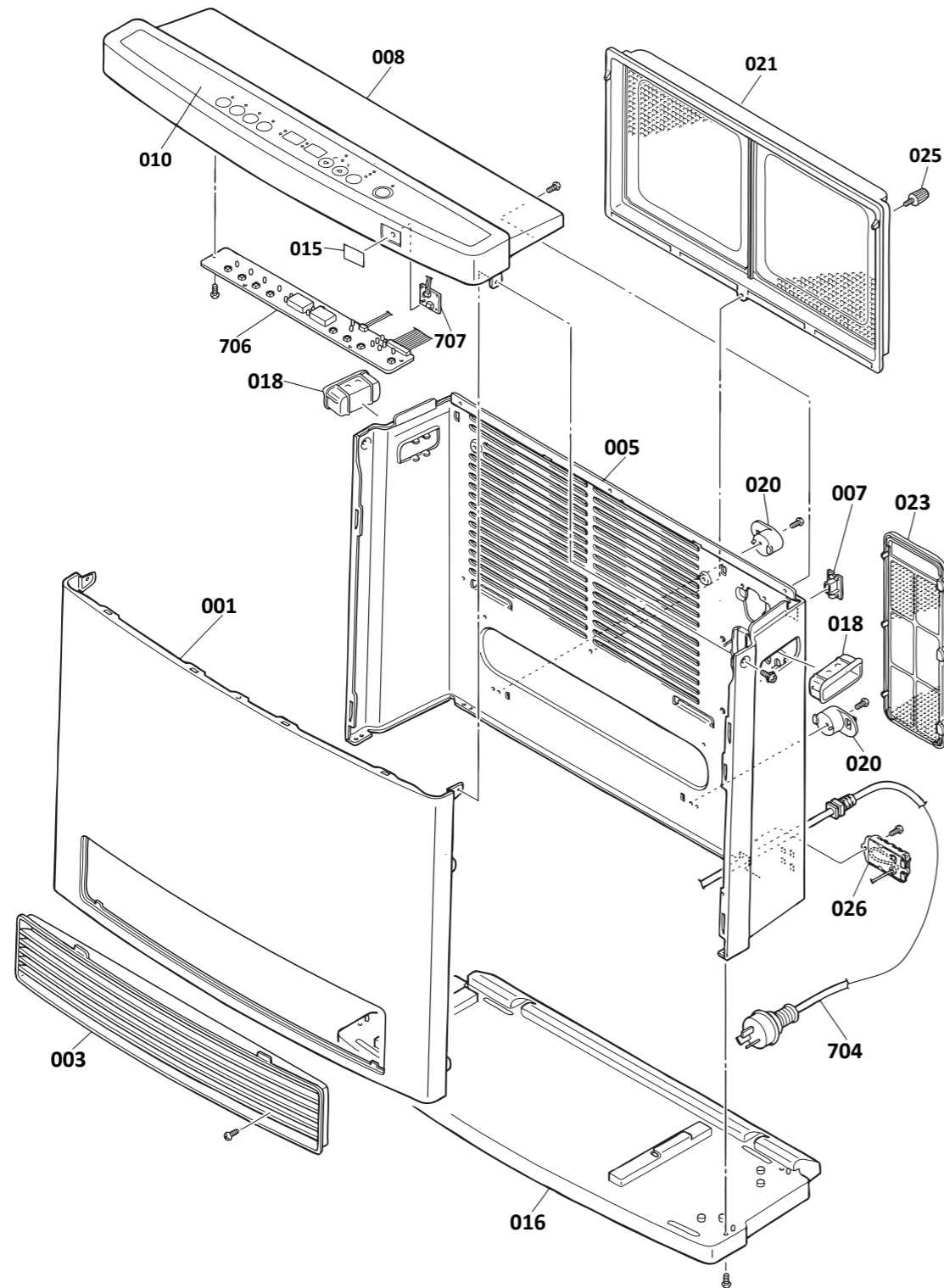


Portable convector Avenger (RCE671TR) heater

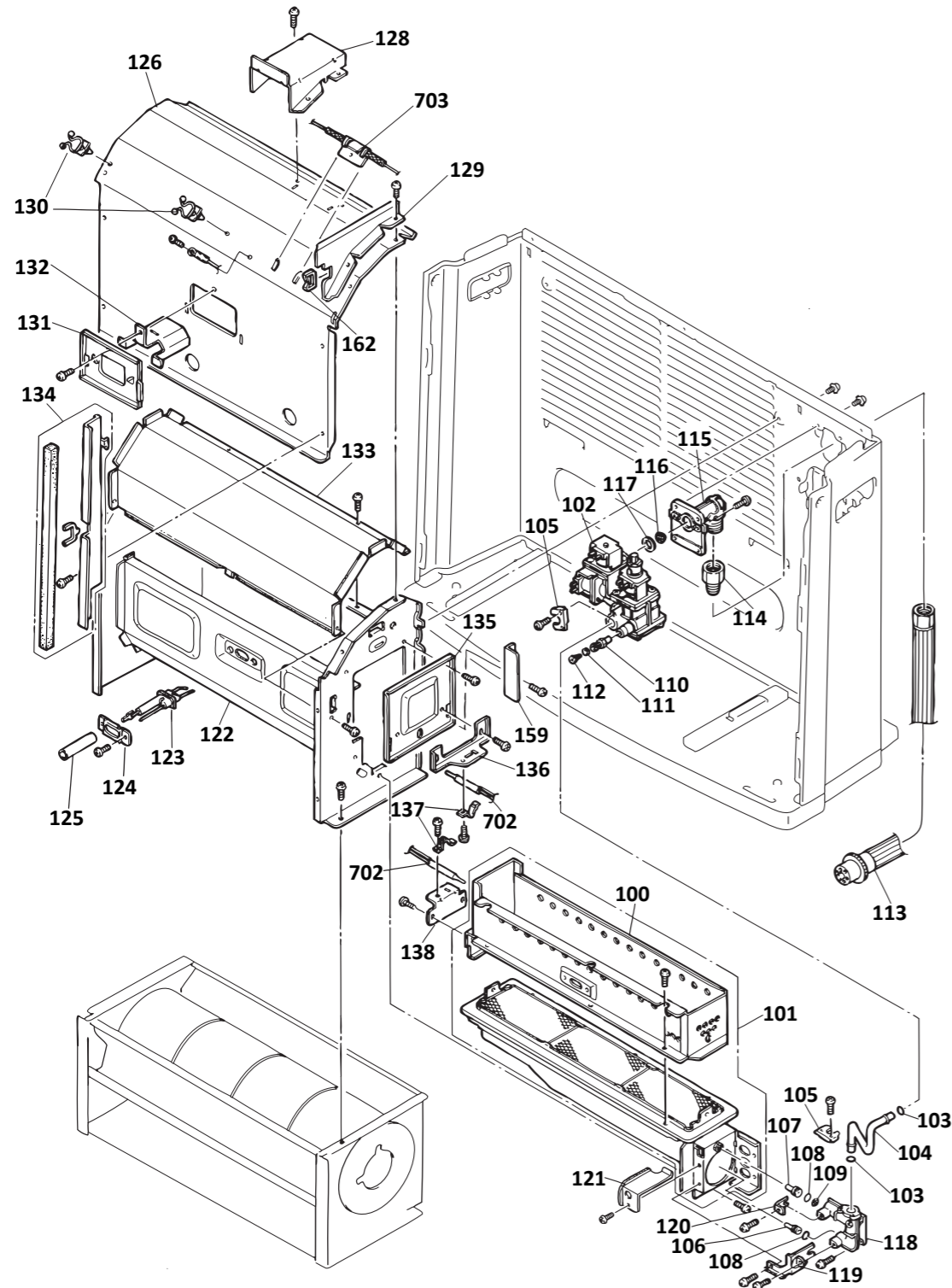
This diagram is provided to assist you to identify parts if replacement is necessary. Contact your place of purchase or the manufacturer to enquire about parts, availability and/or service.



Ref.	Description	Qty.	Part No.
(SI) = stocked item			
001	Front panel white	1	5586
003	Air discharge	1	5614
005	Rear panel white	1	5576
007	Thermocouple check holder	1	5619
008	Top panel assembly white (with 010, 015, 706, 707)	1	5570 (SI)
010	Control panel overlay	1	5603
015	Infra-red receiver cover	-	-
016	Base panel white	1	5579
018	Handle	2	1856 (SI)
020	Power cord holder	1	6445 (SI)
021	Air filter	1	5582
023	Plastic filter	1	2095 (SI)
025	Plastic head filter screw	1	5658
026	Thermistor cover	1	5616
704	Power cord assembly	1	5648
706	Control board	-	-
707	Remote receiver	-	-
-	Remote control (Please note: CR2025 cell battery is not included)	1	13100 (SI)

Portable convector Avenger (RCE671TR) heater

This diagram is provided to assist you to identify parts if replacement is necessary. Contact your place of purchase or the manufacturer to enquire about parts, availability and/or service.

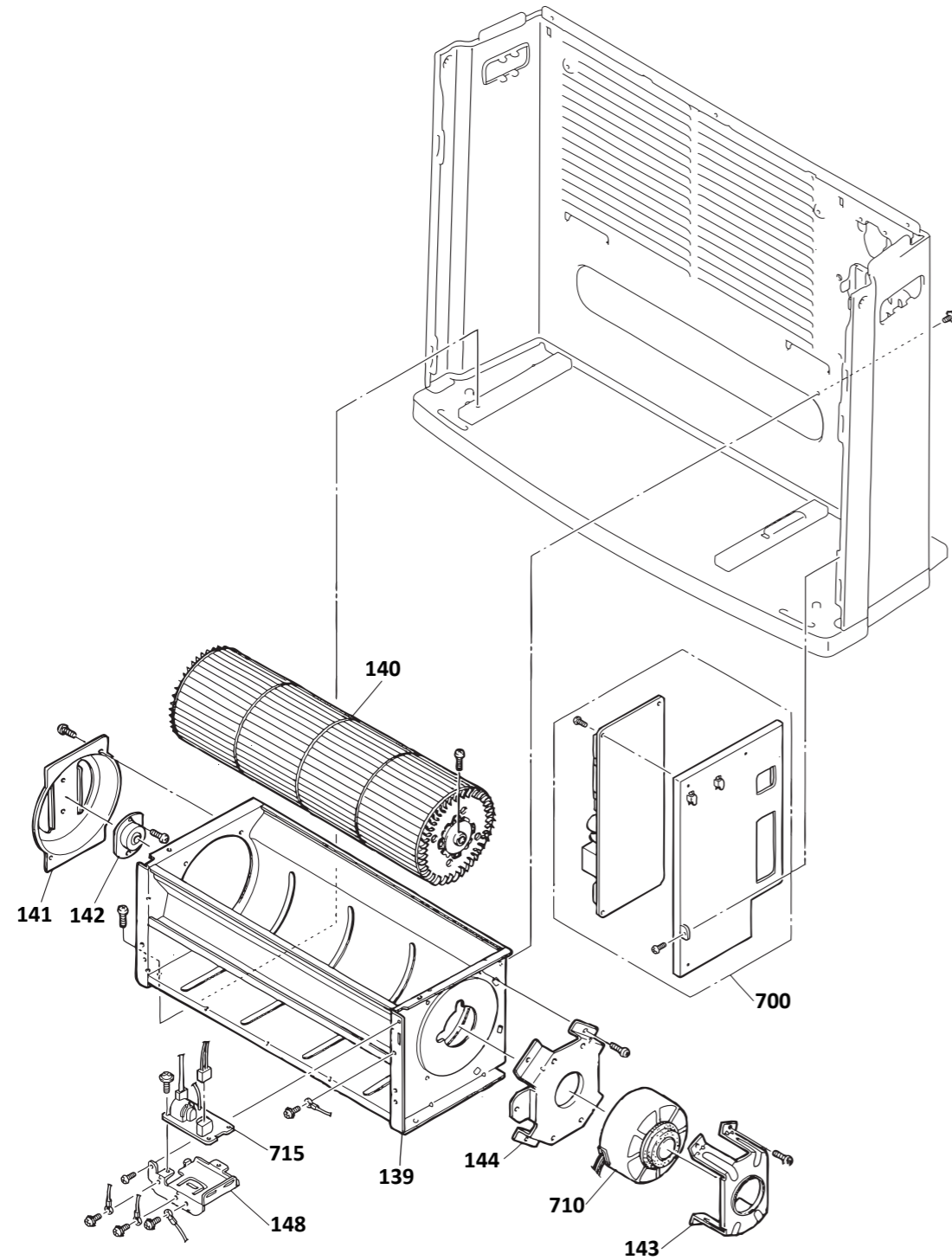


Ref.	Description	Qty.	Part No.
(SI) = stocked item			
100	Burner surround	1	5600
101	Burner assembly	1	5635
102	Gas control valve	1	5623 (SI)
103	O-ring (M10B-1-8, 10 pieces)	2	6642 (SI)
104	Connecting tube	1	5622
105	Connection tube clip	2	2524 (SI)
106	Main injector NG	1	5629
106	Main injector LPG	1	5627
107	Pilot injector NG	1	5632
107	Pilot injector LPG	1	5631
108	O-ring (M10B-1-5, 10 pieces)	2	1142 (SI)
109	Injector filter	1	5583
110	Pressure point	1	5657
111	O-ring (M10B-13-4, 10 pieces)	1	2239 (SI)
112	Test point screw (5 pieces)	1	3564 (SI)
113	Rinnai 10 mm mushroom hose	1	R2586HM (SI)
114	Hose connection bush	1	5065
115	Gas inlet L flange	1	1865 (SI)
116	Gas filter	1	4225 (SI)
117	Packing for gas connection	1	10290 (SI)
118	Injector block	1	5638
119	Injector block tube retainer	1	5666
120	Pilot injector retainer	1	5669
121	Injector regulator plate	1	5633
122	Combustion chamber assy.	1	5611
123	Electrode (pre-serial number 13.02-003499)	1	5646 (SI)
123	Electrode and harness (from serial number 13.02-003499)	1	5565 (SI)
124	Electrode retainer	1	5659
125	Silicon tube	1	5660
126	Combustion chamber hood	1	5598
128	Top panel support	1	5670
129	Upper partition plate	1	5661

Ref.	Description	Qty.	Part No.
130	Cable clip	2	6698 (SI)
131	Comb. chamber hood cover	1	5594
132	Heat insulation plate	1	5592
133	Hood deflection plate	1	5664
134	Partition plate assembly	1	5662
135	Burner cover	1	5593
136	TC2 mounting plate	1	5673
137	Thermocouple clamp	2	2288 (SI)
138	Thermocouple bracket	1	5674
159	Back burner cover	1	5617
162	Edge protector	1	1880 (SI)
702	Thermocouple assembly	2	5624 (SI)
703	Thermal fuse harness	1	5654

Portable convector Avenger (RCE671TR) heater

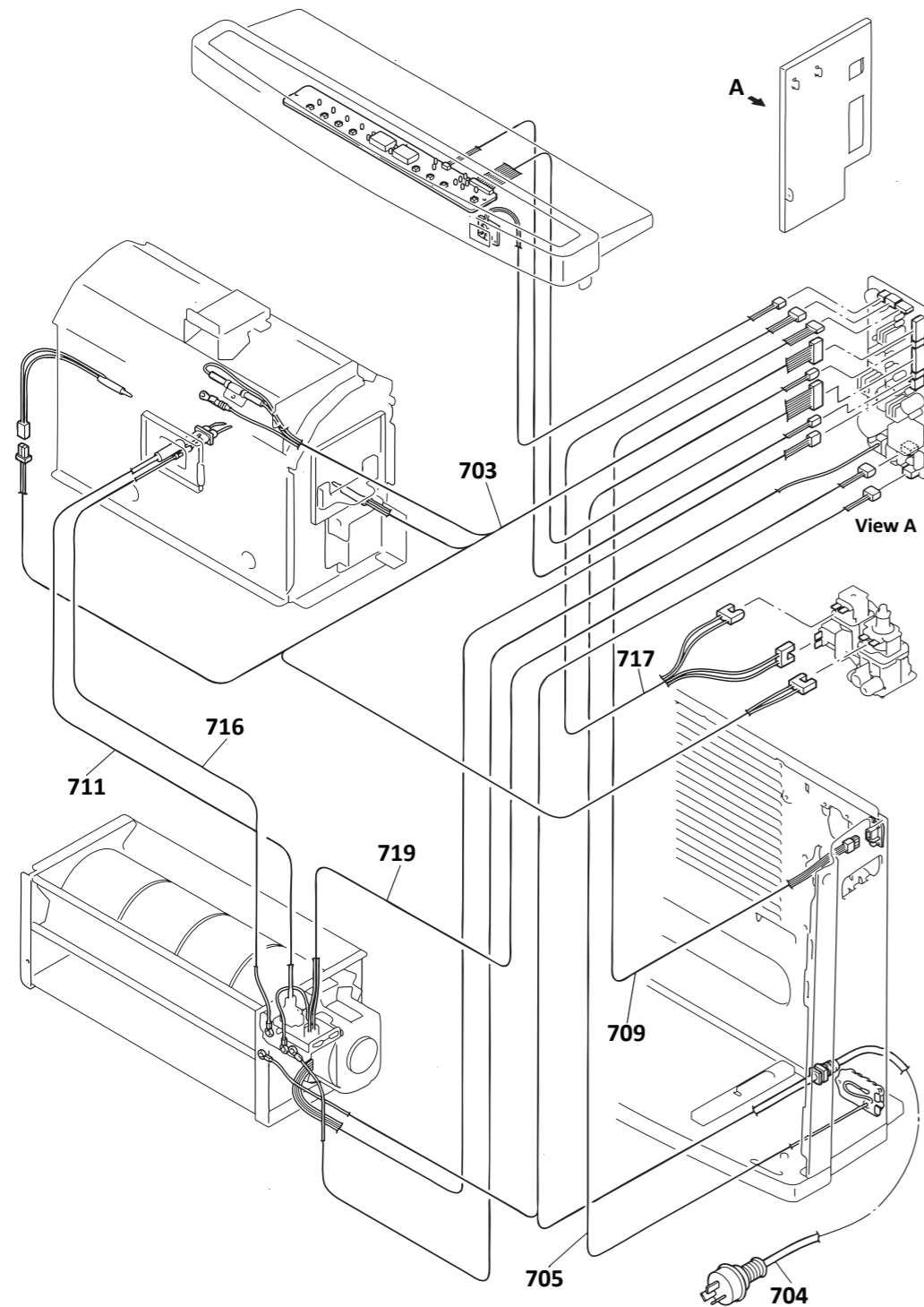
This diagram is provided to assist you to identify parts if replacement is necessary. Contact your place of purchase or the manufacturer to enquire about parts, availability and/or service.



Ref.	Description	Qty.	Part No.
(SI) = stocked item			
139	Casing assembly	1	5618
140	Convection fan	1	2082 (SI)
-	Convection fan assembly	1	5608 (SI)
141	Fan end housing	1	5609
142	Fan scroll mount	1	5610 (SI)
143	Fan motor fixing plate A	1	5671
144	Fan motor fixing plate B	1	5672
148	Spacer fixing bracket	1	5668
700	PCB unit assembly	1	5639 (SI)
710	Convection fan motor	1	5650 (SI)
715	Sparker assembly	1	5652 (SI)

Portable convector Avenger (RCE671TR) heater

This diagram is provided to assist you to identify parts if replacement is necessary. Contact your place of purchase or the manufacturer to enquire about parts, availability and/or service.



Ref.	Description	Qty.	Part No.
(SI) = stocked item			
703	Thermal fuse harness	1	5654
704	Power cord assembly	1	5648
705	Thermistor assembly	1	5651 (SI)
709	Thermocouple check lead	1	5649
711	High tension lead	1	5647 (SI)
716	Sparker return harness (pre-serial number 13.02-003499)	1	5653 (SI)
716	Electrode and harness (from serial number 13.02-003499)	1	5565 (SI)
717	Modulating valve harness	1	5655
719	Ignition harness	1	5656