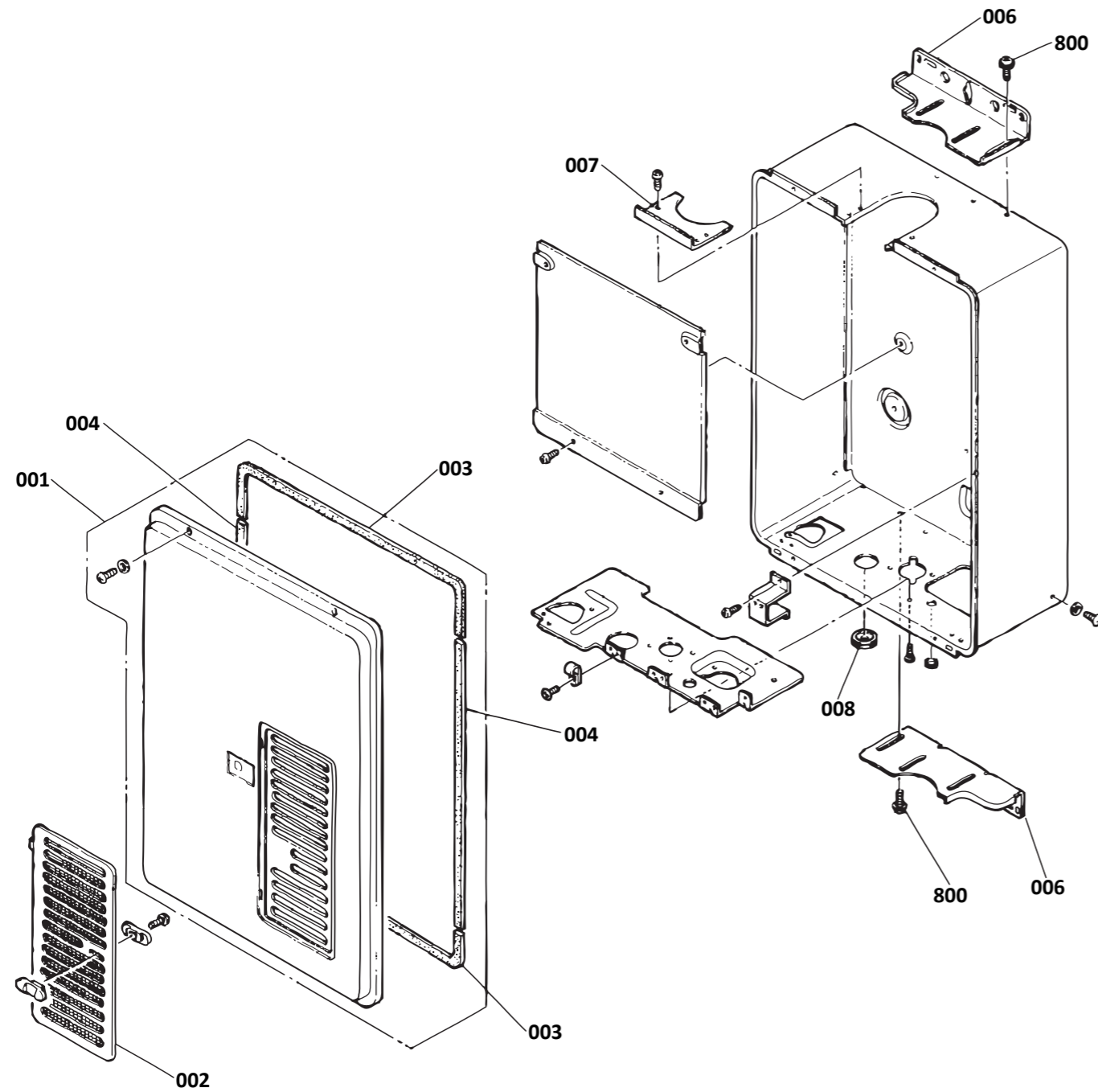


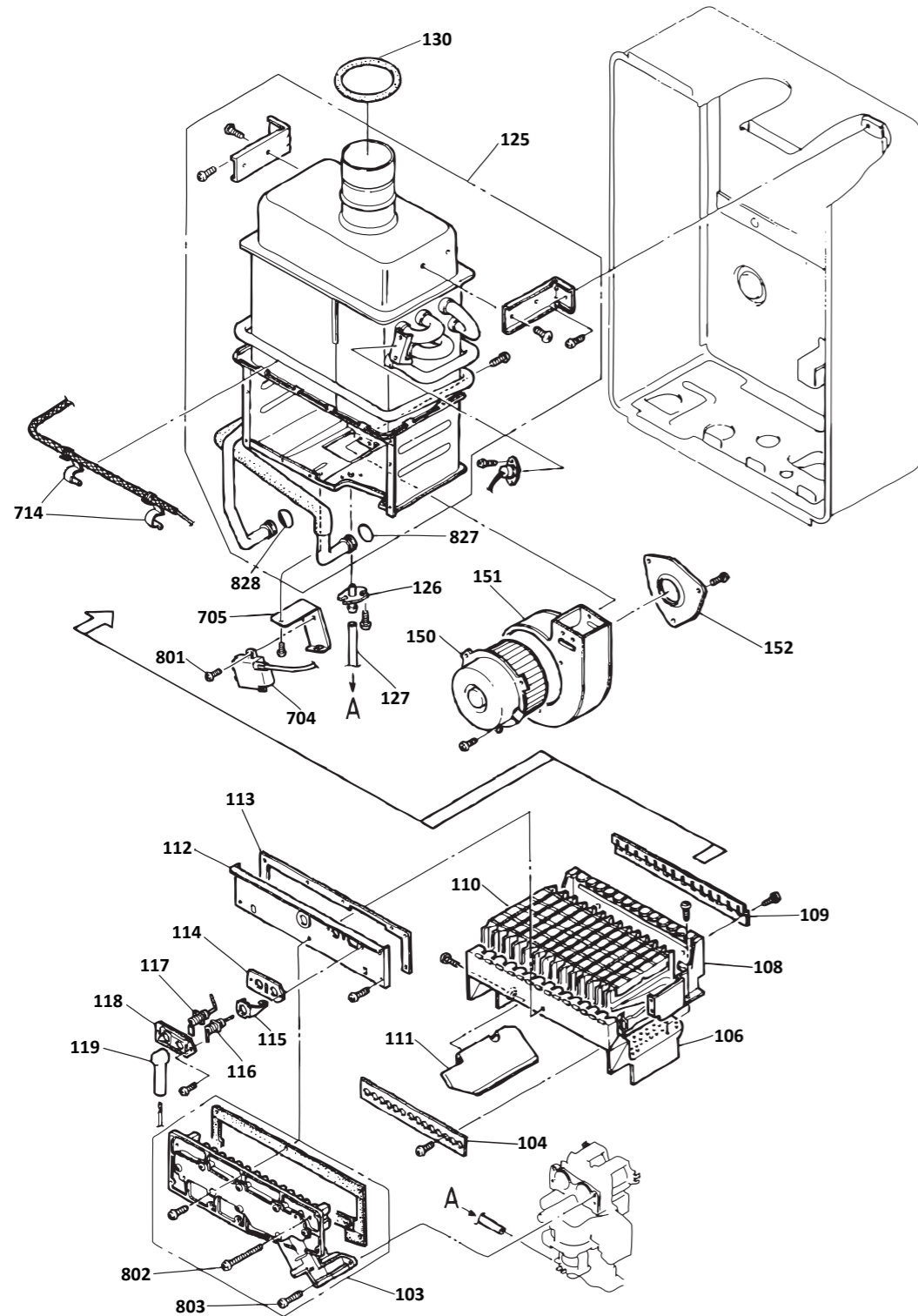
## INFINITY XR16i V16 (REU-V1616WF) internal water heater

This diagram is provided to assist you to identify parts if replacement is necessary. Contact your place of purchase or the manufacturer to enquire about parts, availability and/or service.



Ref.	Description	Qty.	Part No.
SI = stocked item			
001	Front case	1	4189 (SI)
002	Air intake filter assembly	1	4190 (SI)
003	Front panel sealing gasket	2	3807 (SI)
004	Main body side sealing gasket	2	3807 (SI)
006	Bracket A	2	Not available
007	Plate top panel seal	1	Not available
008	Grommet	1	Not available
800	Bolt	1	Not available

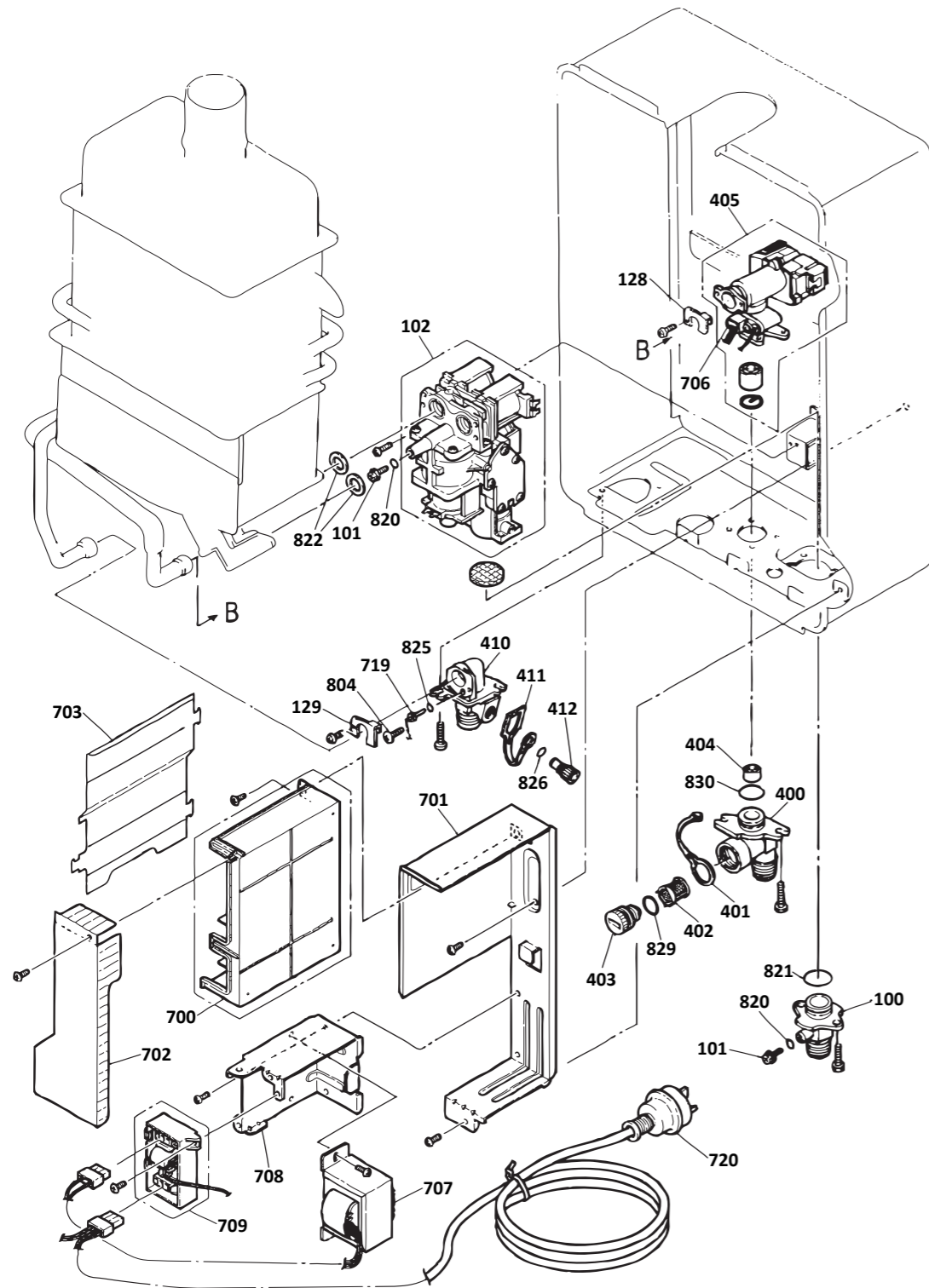
This diagram is provided to assist you to identify parts if replacement is necessary. Contact your place of purchase or the manufacturer to enquire about parts, availability and/or service.



Ref.	Description	Qty.	Part No.
SI = stocked item			
103	Manifold assembly LPG	1	3202 (SI)
103	Manifold assembly NG	1	3203 (SI)
104	Damper LPG	1	3204 (SI)
104	Damper NG	1	3205 (SI)
106	Burner case front	1	Not available
108	Burner case rear	1	Not available
109	Combustion plate	1	Not available
110	Burner	14	3393
111	Distributor	1	Not available
112	Combustion chamber plate	1	Not available
113	Gasket combustion chamber	1	Not available
114	Electrode gasket	1	3441 (SI)
115	Ignition electrode	1	3438 (SI)
116	Electrode	1	3016 (SI)
117	Flame rod	1	3206 (SI)
118	Electrode retainer	1	3478 (SI)
119	Electrode sleeve	1	3475 (SI)
125	Heat exchanger assembly	1	3207 (SI)
126	Back pressure joint	1	3604 (SI)
127	Tube wind pressure (F)	1	Not available
130	Sealing (D)	1	Not available
150	Fan motor assembly	1	3208 (SI)
151	Fan casing assembly	1	3209 (SI)
152	Bell mouth	1	Not available
704	Sparker	1	1893 (SI)
705	High tension lead	1	Not available
714	Thermal fuse bracket	6	3659 (SI)
801	Screw - tapping earth	1	Not available
802	Screw - FT	2	Not available
803	Screw (cup)	2	Not available
827	O-ring	1	4912 (SI)
828	O-ring	1	3627 (SI)

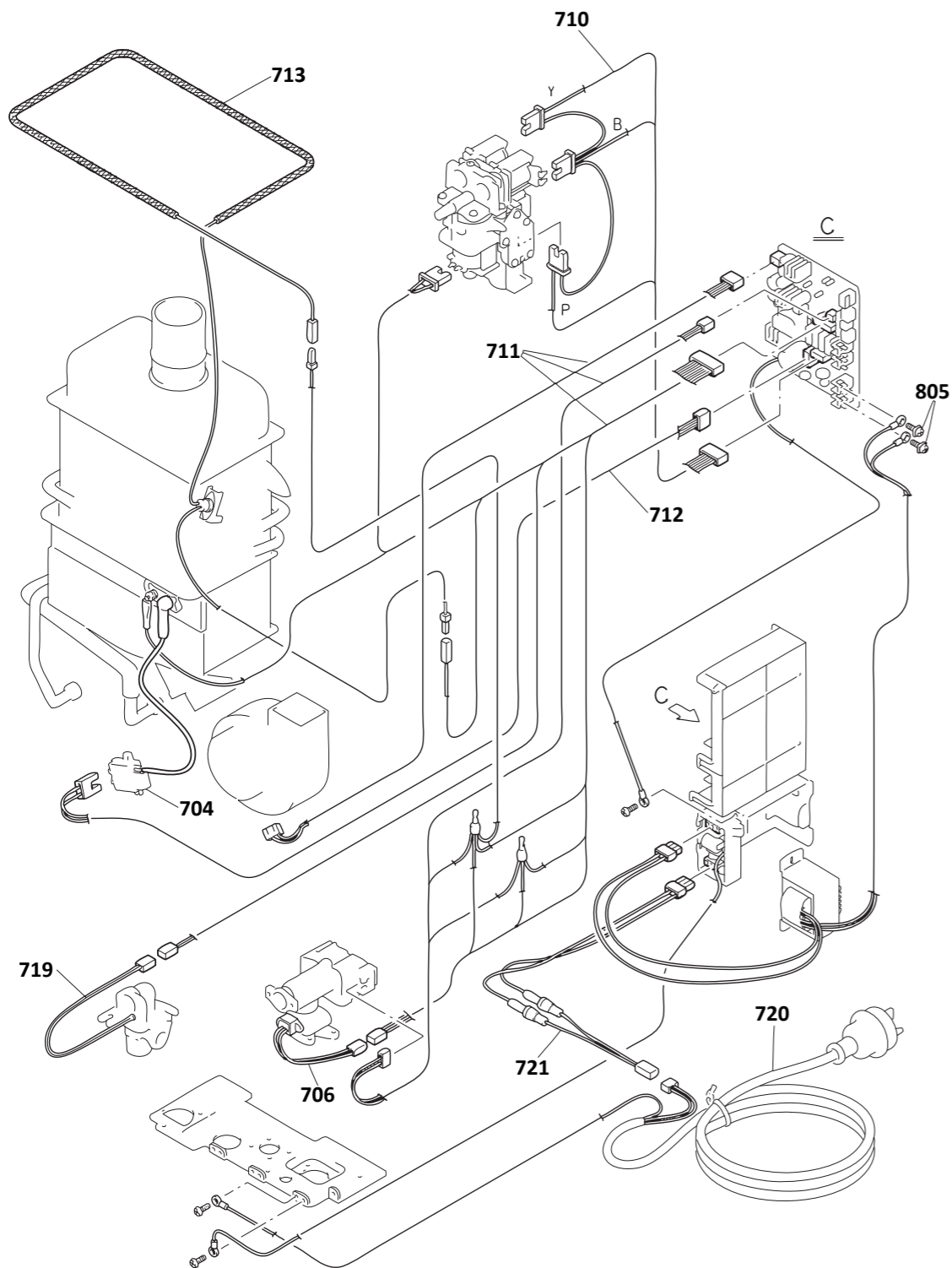
## INFINITY XR16i V16 (REU-V1616WF) internal water heater

This diagram is provided to assist you to identify parts if replacement is necessary. Contact your place of purchase or the manufacturer to enquire about parts, availability and/or service.



Ref.	Description	Qty.	Part No.
SI = stocked item			
100	Gas inlet 20 mm	1	3200 (SI)
101	Test point sealing screw	2	3564 (SI)
102	Gas control assembly	1	3201 (SI)
128	Bracket B	1	Not available
129	Bracket A	1	Not available
400	Inlet water connection 15 mm	1	3210 (SI)
401	Plug band inlet	1	Not available
402	Water inlet filter	1	Not available
403	Incoming water filter (filter + plug)	1	3839 (SI)
404	Rectifier	1	3487 (SI)
405	Water flow servo and sensor assembly	1	3330 (SI)
410	Hot water connection 15 mm	1	3214 (SI)
411	Strap - hot water plug	1	Not available
412	Drain	1	Not available
700	PCB	1	3215 (SI)
701	PCB fixing plate	1	Not available
702	EC cover	1	Not available
703	PCB cover	1	Not available
706	MR sensor assembly	1	3771 (SI)
707	Transformer	1	3216 (SI)
708	Bracket transformer	1	Not available
709	Sub PCB/surge protector	1	4930 (SI)
715	230 V anti frost heater	1	3220 (SI)
720	Power lead	1	3526 (SI)
804	Thermistor screw	1	Not available
820	O-ring	2	2239 (SI)
821	O-ring	1	3837 (SI)
822	Washer	1	Not available
825	O-ring	1	3832 (SI)
826	O-ring	1	1031 (SI)
829	O-ring	1	1244 (SI)
830	O-ring	1	3827 (SI)

This diagram is provided to assist you to identify parts if replacement is necessary. Contact your place of purchase or the manufacturer to enquire about parts, availability and/or service.



Ref.	Description	Qty.	Part No.
SI = stocked item			
704	Sparker	1	1893 (SI)
706	MR sensor assembly	1	3771 (SI)
710	Gas valve harness	1	3217 (SI)
711	Sensor harness	1	3218 (SI)
712	Sparker harness	1	4895 (SI)
713	Thermal fuse harness	1	3219 (SI)
719	Thermistor	1	3389 (SI)
720	Power lead	1	3256 (SI)
721	Fuse harness NG	1	4905 (SI)
721	Fuse harness LPG	1	4906 (SI)
<b>Not shown in exploded diagram</b>			
-	Heater bracket	2	2364 (SI)
-	Heater bracket	1	2899(SI)
-	Frost sensing switch	1	3235 (SI)
-	Valve heater	1	3237 (SI)
-	Frost kit	1	FROST6 (SI)