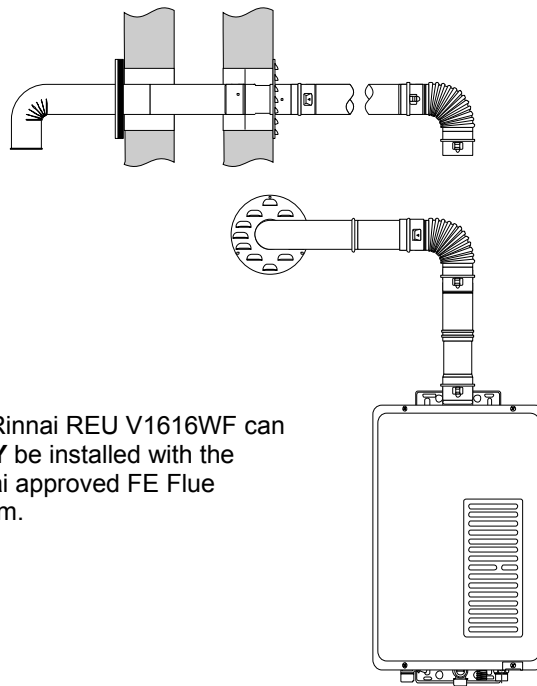


Rinnai

Infinity 16FE Internal Flueing Installation Instructions



The Rinnai REU V1616WF can **ONLY** be installed with the Rinnai approved FE Flue system.

This Flue shall be installed in accordance with: -
Manufacturer's Installation Instructions
Local Gas Fitting Regulations
Municipal Building Codes
Installation Code for Gas Burning Equipment
Any other relevant Statutory Regulation
This appliance and flue system must be installed,
serviced and removed by an Authorised Person.



Quality
Endorsed
Company

ISO 9002 Lic 4983
Standards Australia

REU V1616WF Flueing Installation Instructions

Contents:

General.....	3
Flueing Options	3
Important Installation Notes	3
Direct Flueing with wall terminal	4
Extended Direct Flueing with wall terminal	5
Instructions – locking /unlocking components	7
Minimum Flue terminal Clearances	8
Component Dimensions.....	9
Fixed Length 300mm.....	9
Fixed Length 450mm.....	9
Fixed Length 600mm.....	9
Fixed Length 900mm.....	9
Telescopic Length 150~200mm	9
Telescopic Length 190~300mm	9
Telescopic Length 250~420mm	9
90° Male and Female Elbow	9
45° Male and Female Elbow	9
Horizontal Flue Terminal (75~220mm)	9
Horizontal Flue Terminal (180~400mm)	9
Internal REU V1616WF Flue Part Numbers	9
Sales and Service Contact Points	10

Installation

This flue must be installed by an authorised person, the Installation must conform to local regulations. Installation must comply with the instructions supplied by Rinnai. Service and removal must be carried out by an authorised person.

Approval

Approved by AGA as a suitable flueing system for Rinnai REU V1616WF Gas Internal Water Heaters.

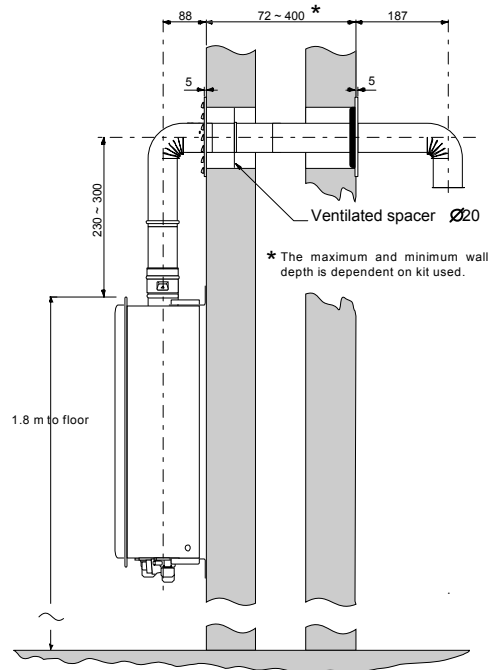
General

1. These instructions apply only to the Rinnai REU V1616WF. These instructions do not apply to the Rinnai Infinity Flueing with the white plastic or stainless steel outer pipe (Co-ax type). If in doubt contact the Rinnai Australia Technical Advice Helpline: 1300 366 388.
2. The Rinnai REU V1616WF can **ONLY** be installed with the Rinnai approved FE Flue system.
3. Before commencing installation, please read the 'Installation Instructions - General' located inside a pouch behind the front cover of the REU V1616WF.
4. The requirements of NZS 5261 'Gas Installations' must be met. It is the installer's responsibility to ensure the installation conforms to current version of NZS5261 and local regulations.

REU V1616WF Flueing Installation Instructions

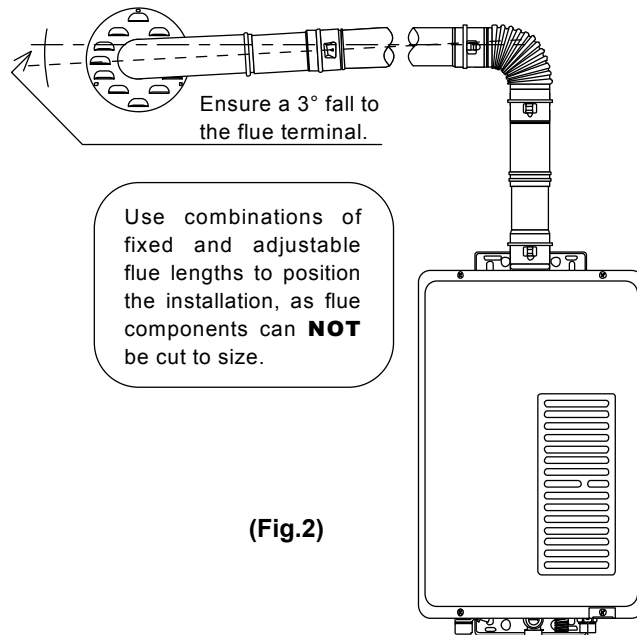
Flueing Options

Direct Flueing with Wall Terminal: (Fig.1)



(Fig.1)

b) Extended Direct Flueing with Wall Terminal: (Fig.2)



(Fig.2)

Important Installation Notes:

- ❖ The components of this flueing system can **NOT** be cut to size, use fixed and adjustable components to achieve the required length.
- ❖ The total flue length should **NOT** exceed 9m and the number of 90° bends should not exceed 3.
- ❖ The total vertical rise must **NOT** exceed 2 metres.
- ❖ The flue system **MUST** be installed to comply with AS5601/AG601 Clause 5.13.
- ❖ Ensure that positioning of the flue terminal complies with the requirements of AG5601/AG601. **Warning:** The flue products can reach temperatures above 200°C. The flue terminal is to terminate in a location, not to cause a nuisance.
- ❖ The Rinnai REU V1616WF is a fan-assisted appliance; use the fan-assisted clearances in AS5601/AG601 Clause 5.13.6.5 Fig.5.3 (See page 5)
- ❖ All Flue **MUST** be supported and be independent of the appliance in accordance with AS5601/AG601 Clause 5.13.4.2 and 5.13.4.3.
- ❖ Ensure the appliance can be removed without causing movement or displacement of the flue. Telescopic components extended to a minimum of 55mm can be used as a slip socket.
- ❖ All Rinnai FE Flue Components are self-locking (See Fig. 8 for unlocking procedure).
- ❖ **Caution:** The “O” Rings in all components are pre-greased; ensure they are not damaged when joining.
- ❖ When preparing the wall penetrations, cover the flue spigot to prevent debris from entering the appliance.
- ❖ The mounting brackets on the appliance can be adjusted from 15mm to 50mm to allow for irregularities in the walls and length of the flue components

REU V1616WF Flueing Installation Instructions

Direct Flueing with wall terminal (Fig. 3)

Installation.

The Installation of the Rinnai REU V1616WF Water Heater **MUST** be installed in accordance with the installation instructions located in the pocket inside the front cover of the appliance.

1. From the top of the flue spigot mark the centre of the wall penetration at 228mm (Step 1).
2. Prepare a 120mm diameter hole through the wall, **Note:** Do not exceed 130mm to allow the inner and outer wall plate to be secured to the wall.
3. If the wall thickness is between 72~222mm use Kit **FE16HKIT220A**.

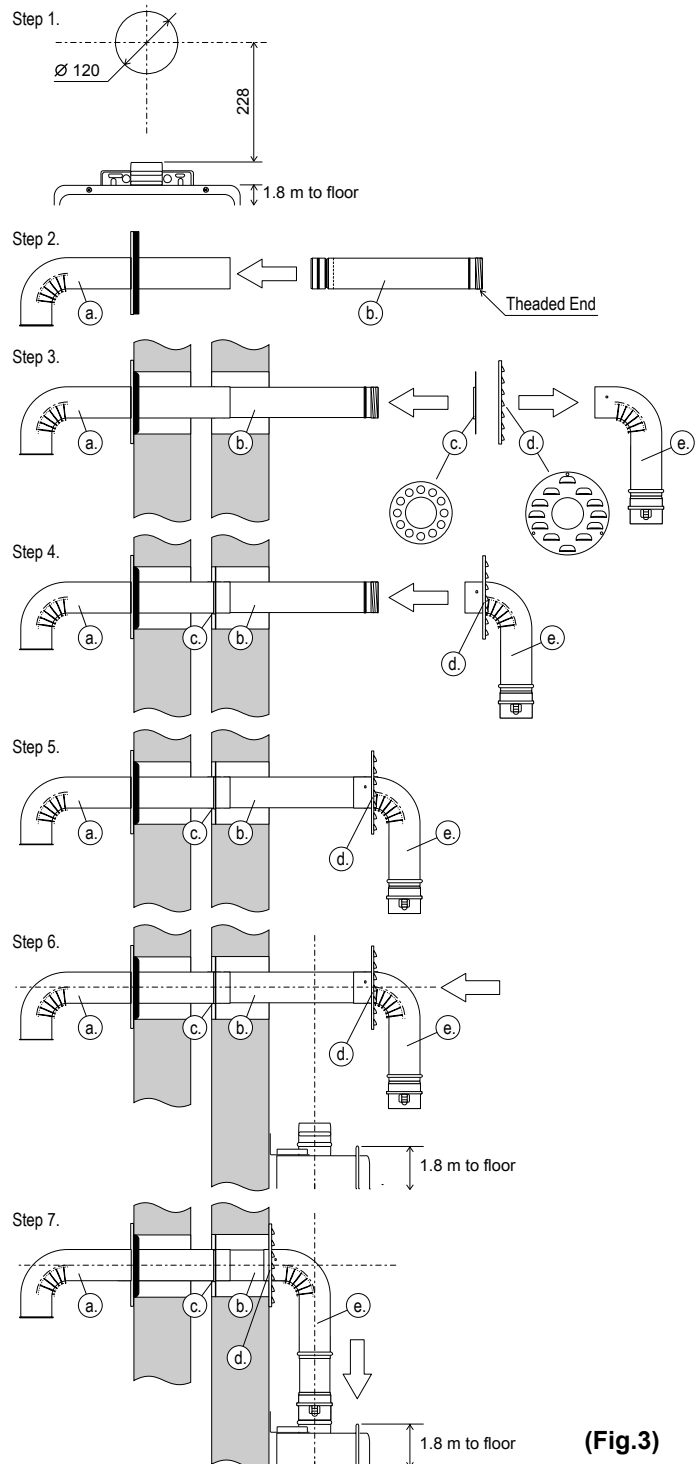
Or

If the wall thickness is between 180~400mm use Kit **FE16HKIT400B**.

4. Attach parts "a" and "b" together to form the telescopic section. (Insert the end with the single recess on "b" into "a", leaving the male thread "b" exposed). Extend the telescopic section to maximum (Step 2).
5. From the outside secure flue assembly "a" and "b" to the wall. (Step 3)
 - Ensure the flue terminal faces down.
 - Ensure the flue is central in the hole.
6. From the inside fit the Ventilated spacer "c" over "b" and locate it midway in the wall cavity. This spacer is to ensure clearance from combustible materials is maintained (Step 4).
7. Fit the inner wall plate "d" over the plain end of the telescopic bend "e". Screw the "b" and "e" sections together ensuring the screwed joints is secured. Care should be taken not to damage the 'O' ring (Step 5).
8. Adjust the distance from the wall to the spigot on the appliance by sliding the horizontal telescopic section in to allow the flue spigot to align with the appliance (Step 6).
9. Adjust the vertical telescopic section and attach the flue to the appliance spigot and lock (Step 7).
10. Secure the inner wall plate "d" to the wall with the louvers facing down.

Direct Flueing kits' consist of,

- a) 1 x 90° Terminal bend, with fixed external wall plate and seal.
- b) 1 x Telescopic extension section.
- c) 1 x In-wall spacer.
- d) 1 x Internal ventilated wall plate.
- e) 1 x telescopic 90° bend.



(Fig.3)

REU V1616WF Flueing Installation Instructions

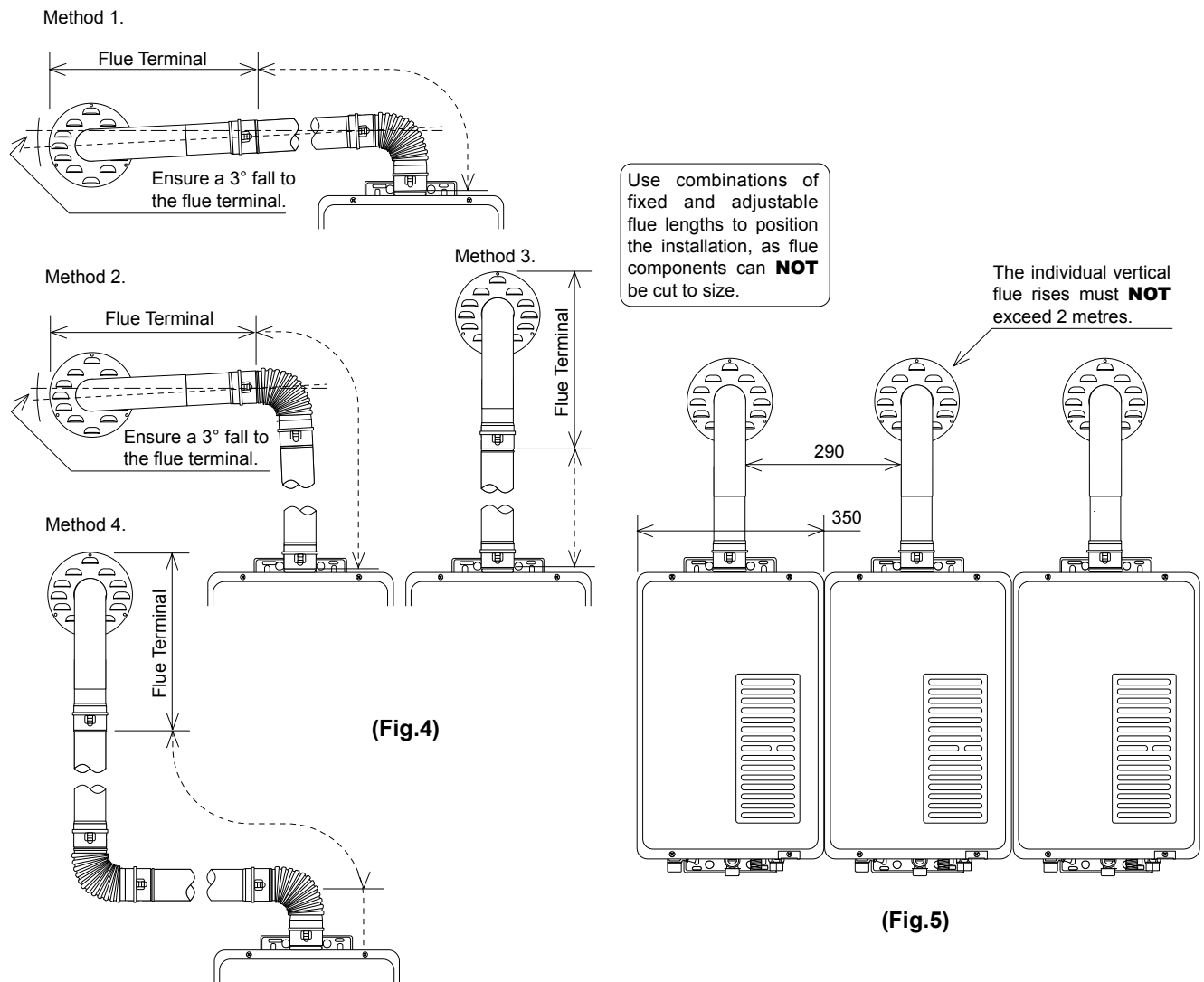
Extended & Direct Flueing with wall and roof terminals

The Direct flueing wall terminal can be extended using the methods as shown in (Fig.4)

The total flue length should **NOT** exceed 9m and the number of 90° bends should not exceed 3.

The total vertical rise must **NOT** exceed 2 metres

Note: The through wall terminal is equivalent to a 1m length and counts as one 90° bend, these factors must be taken into account when sizing a through wall installation.



The terminal clearances in NZS5261 do not apply to the Infinity REU V1616WF Water Heaters installed side by side. The appliances are AGA certified to be installed side by side as shown in (Fig.5), allowing for a horizontal distance of 290mm between flue terminals.

REU V1616WF Flueing Installation Instructions

To Connect The Flue Components.

Step 1. Connect the pre-greased components. *Caution:* Ensure the "O" Rings are not damaged during this process.

Step 2. Ensure the flue is locked in position.

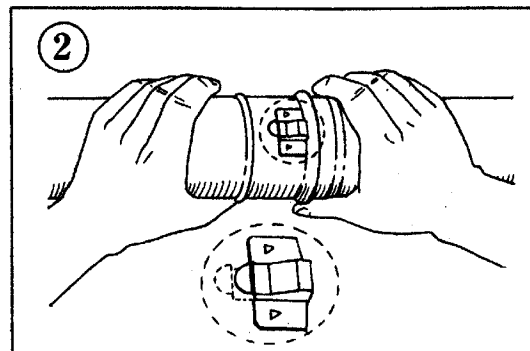
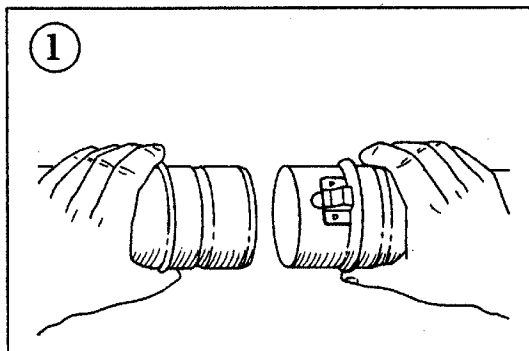
To Disconnect The Flue Components.

Step 1. Push the components tight together.

Step 2. Push in the small locking tab.

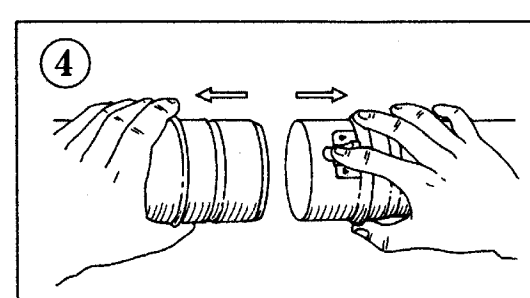
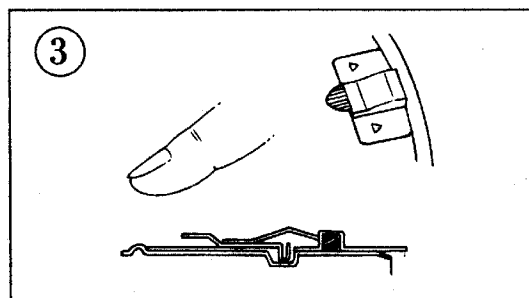
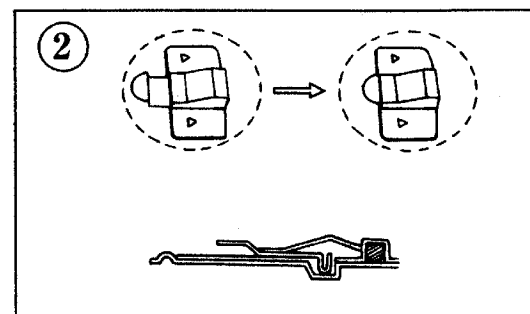
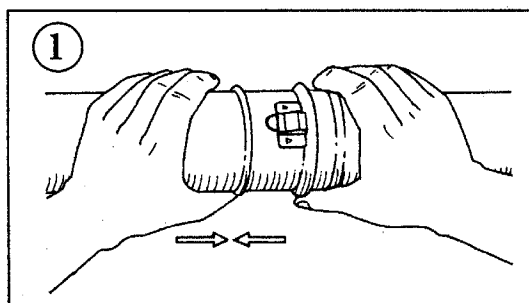
Step 3-4. While holding the small tab in, gently slide the components apart.

Caution: Ensure the "O" Rings are not damaged during this process.



Connect

Disconnect

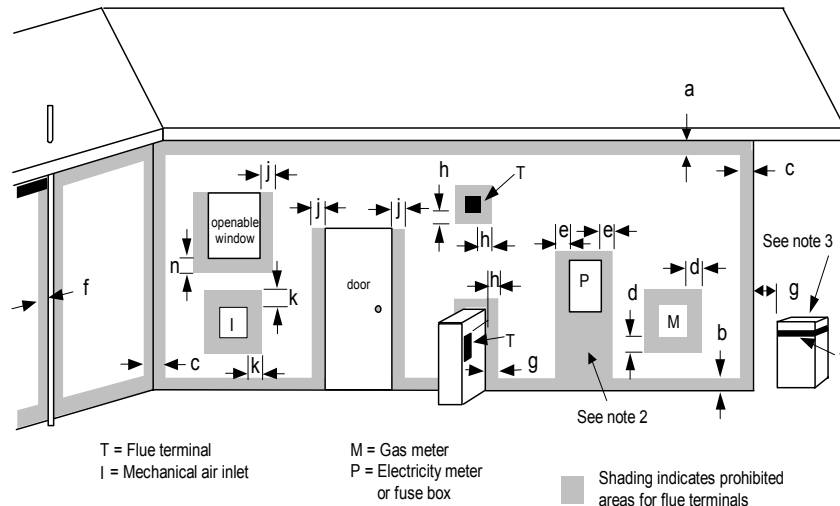


(Fig.8)

REU V1616WF Flueing Installation Instructions

Minimum Flue Clearances.

Extract from NZS 5261



Ref.	Item	Min. clearances (mm)	
		Fan assisted	
a	Below eaves, balconies and other projections:		
	<ul style="list-style-type: none"> Appliances up to 50 MJ/h input Appliances over 50 MJ/h input 	200 300	
b	From the ground, above a balcony or other surface †	300	
c	From a return wall or external corner †	300	
d	From a gas meter (M) (see 4.7.11 for vent terminal location of regulator)	1000	
e	From an electricity meter or fuse box (P)	500	
f	From a drain pipe or soil pipe	75	
g	Horizontally from any building structure = or obstruction facing a terminal	500	
h	From any other flue terminal, cowl, or combustion air intake †	300	
j	Horizontally from an openable window, door, non-mechanical air inlet, or any other opening into a building with the exception of sub-floor ventilation:		
	<ul style="list-style-type: none"> Appliances up to 150 MJ/h input Appliances over 150 MJ/h input up to 200 MJ/h input Appliances over 200 MJ/h input All fan-assisted flue appliances, in the direction of discharge 	300 500 1500 1500	
	k	From a mechanical air inlet, including a spa blower	1000
	n	Vertically below an openable window, non-mechanical air inlet, or any other opening into a building with the exception of sub-floor ventilation:	
<ul style="list-style-type: none"> Space heaters up to 50 MJ/h input Other appliances up to 50 MJ/h input Appliances over 50 MJ/h input and up to 150 MJ/h input Appliances over 150 MJ/h input 		150 500 1000 1500	

† - unless appliance is approved for closer installation

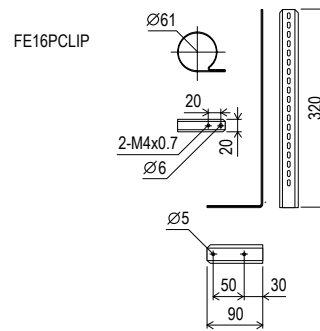
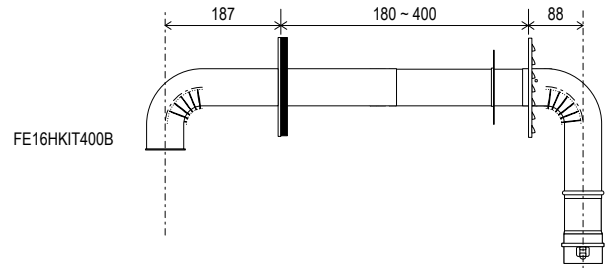
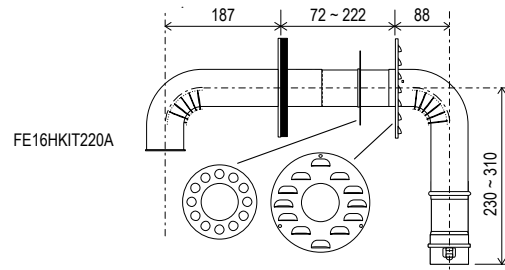
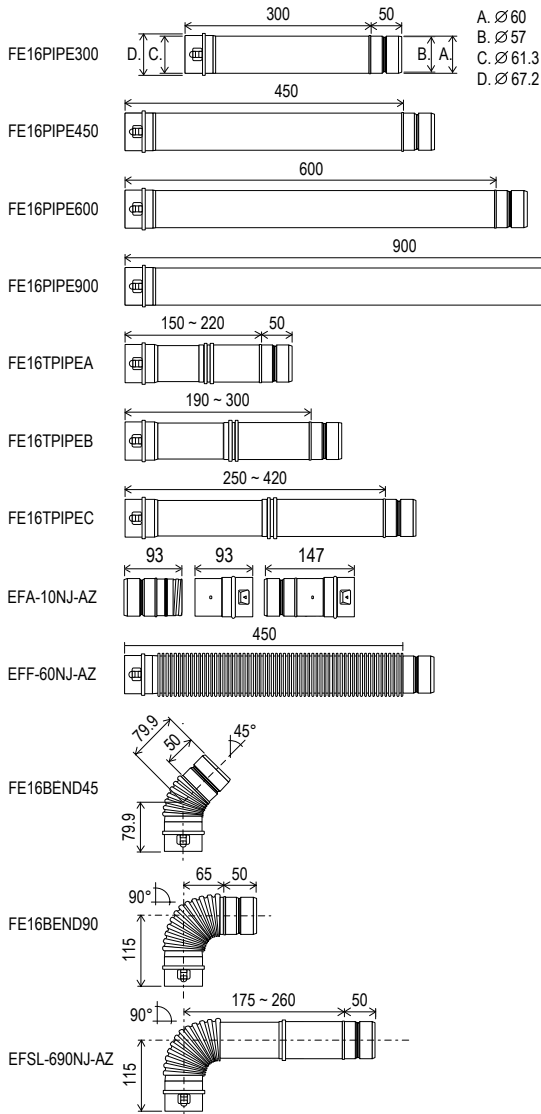
NOTES:

- All distances are measured to the nearest part of the terminal.
- Prohibited area below electricity meter or fuse box extends to ground level.
- See Clause 5.13.6.6 for restrictions on a flue terminal under a covered area.
- See Appendix J, Figures J2(a) and J3(a), for clearances required from a flue terminal to an LP Gas cylinder. A flue terminal is considered to be a source of ignition.
- For appliances not addressed above, approval shall be obtained from the Authority.

† - Unless the appliance is approved for closer installation. Such exemptions apply in the case of the Rinnai REU V1616WF As per Fig. 6 on page 5.

REU V1616WF Flueing Installation Instructions

Components Page



Internal REU V1616WF Flue Part Numbers

DESCRIPTION	CODE NUMBER	BAR CODE NUMBER
300MM/60MM FLUE PIPE	WFPIPE300	9314109120363
450MM/60MM FLUE PIPE	WFPIPE450	9314109120370
600MM/60MM FLUE PIPE	WFPIPE600	9314109120387
900MM/60MM FLUE PIPE	WFPIPE900	9314109120394
TELESCOPIC FLUE 220/150	WFAJ150	9314109120400
TELESCOPIC FLUE 300/190	WFAJ190	9314109120417
TELESCOPIC FLUE 420/250	WFAJ250	9314109120424
*FLUE PIPE EXTENSION	FE16COUPLING	9314109121643
45 DEGREE BEND	WFBEND45	9314109120448
90 DEGREE BEND	WFBEND90	9314109120431
* 90 DEGREE BEND TELESCOPIC	WFBENDAJ175	9314109121636
HORIZONTAL FLUE 220	WFFKITS	9314109121001
HORIZONTAL FLUE 400	WFFKITL	9314109121018
FLUE PIPE CLIP	WFBRK	9314109121124

REU V1616WF Flueing Installation Instructions

Installers Notes:

REU V1616WF Flueing Installation Instructions

CONTACT POINTS

Rinnai
AUSTRALIA PTY. LTD

ACN 005 138 769
ABN 74 005 138 769

Internet: www.rinnai.com.au
E-mail: enquiry@rinnai.com.au

Head Office, Australia

10-11 Walker Street, Braeside, VIC 3195
Tel: (03) 9271 6625 Fax: (03) 9271 6622

State Offices

New South Wales

62 Elizabeth Street, Wetherill Park NSW 2164

Western Australia

18 Belgravia Street, Belmont, WA 6104

Product Sales

Victoria / South Australia / Northern Territory / Tasmania
New South Wales / Queensland
Western Australia

Tel: 1300 366 388 Fax: (03) 9271 6611
Tel: (02) 9609 2888 Fax: (02) 9609 5260
Tel: (08) 9479 9479 Fax: (08) 9277 2531

Spare Parts

National

Tel: 1300 366 388 Fax: (03) 9271 6611

HelpLine

National

Tel: 1300 366 388 Fax: (03) 9271 6611

Product Service

Victoria / South Australia / Northern Territory / Tasmania

Tel: 1300 366 388 Fax: (03) 9271 6611

New South Wales / Queensland

Tel: (02) 9609 2600 Fax: (02) 9729 0467

Western Australia

Tel: (08) 9479 9479 Fax: (08) 9277 2531

Emergency Hot Water

Victoria

1800 632 386

New South Wales

(02) 9729 0468

South Australia

(08) 8345 5185

Western Australia

(08) 9324 4145

Queensland

1800 255 655

Rinnai
NEW ZEALAND LTD.

Internet: www.rinnai.co.nz
E-mail: sales@rinnai.co.nz

Head Office, New Zealand

691 Mt. Albert Road, Royal Oak, Auckland
P O Box 24-068

Tel: (09) 625 4285 Fax: (09) 624 3018

24 hr Service
Tel: 0800 746624 (0800 Rinnai)