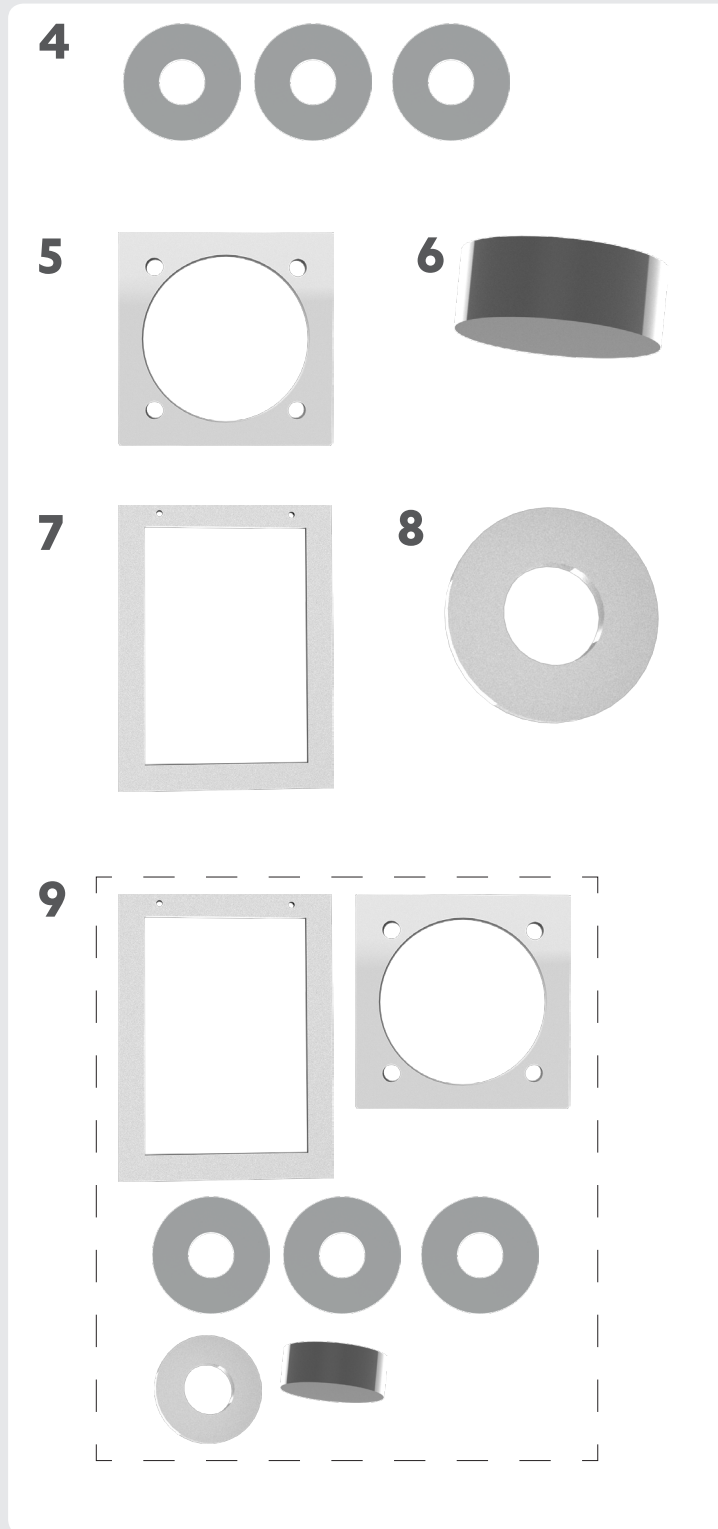
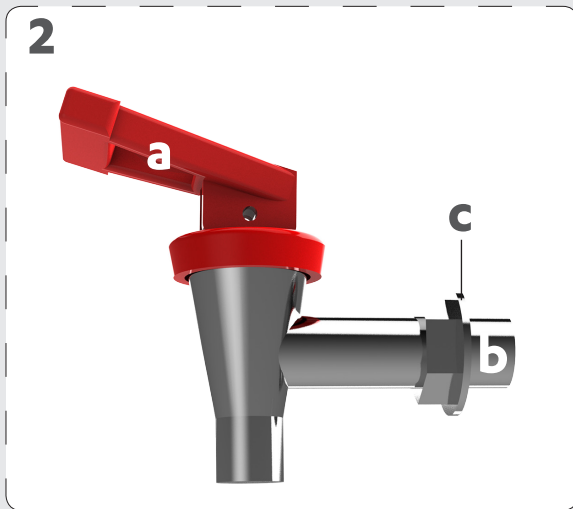
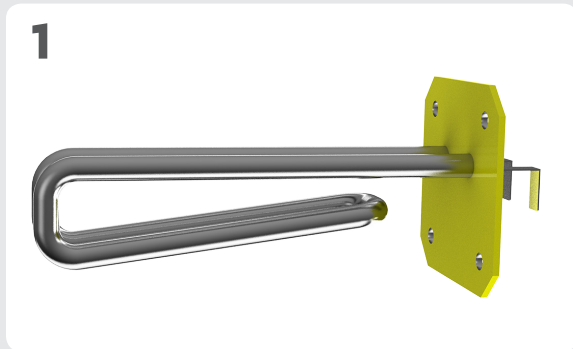


Rinnai Boil & Brew™ spares

This information is provided to assist you to identify parts if replacement is necessary. Contact your place of purchase or the manufacturer to enquire about parts, availability and/or service.

N.B: Nickel plated spares are used when there are issues with brass corrosion



Elements		Part number
1	Element 2 kW	BEL004
1	Element 2 kW nickel plated	BEL004NP
1	Element 2.4 kW	BEL005
1	Element 2.4 kW nickel plated	BEL005NP
1	Element 3 kW	BEL006
1	Element 3 kW nickel plated	BEL006NP
Tap		
2	Urn tap complete incl. tail	BMT002
2a	Urn tap top plastic	BMT001
2b	Urn tap diaphragm	BMT003
2c	Urn tap backnut washer	BMT009
Ballcock		
3	Ballcock assembly complete	BMT015
3	Ballcock assembly complete nickel plated	BMT015NP
3a	Ballcock float	BMT010
3b	Ballcock float arm assembly (contains; float arm, split pin, ballcock valve seal 8 mm)	BMT008
3b	Ballcock float arm assembly nickel plated	BMT008NP
-	Ballcock transfer bolt and washers	BMT018
-	Ballcock transfer bolt and washers nickel plated	BMT018NP
3c	Ballcock block	BMT013
3c	Ballcock block nickel plated	BMT013NP
4	Ballcock washer 3/4" (red fibre) x 3	BMT011
5	Element gasket	BMT012
6	Ballcock valve seal 8 mm	BMT016
7	Seal white control tank	BMT019
8	Washer drain box 1/2" fibre	BMT017
9	Washer kit	BMT020
Thermostats (not drawn)		
-	Main thermostat	BTS007
-	Reset thermostat	BTS008
Front panels (not drawn)		
-	Front panel 5 L	20848
-	Front panel 10 L	20849
-	Front panel 15 L	20850
-	Front panel 25 L	20851