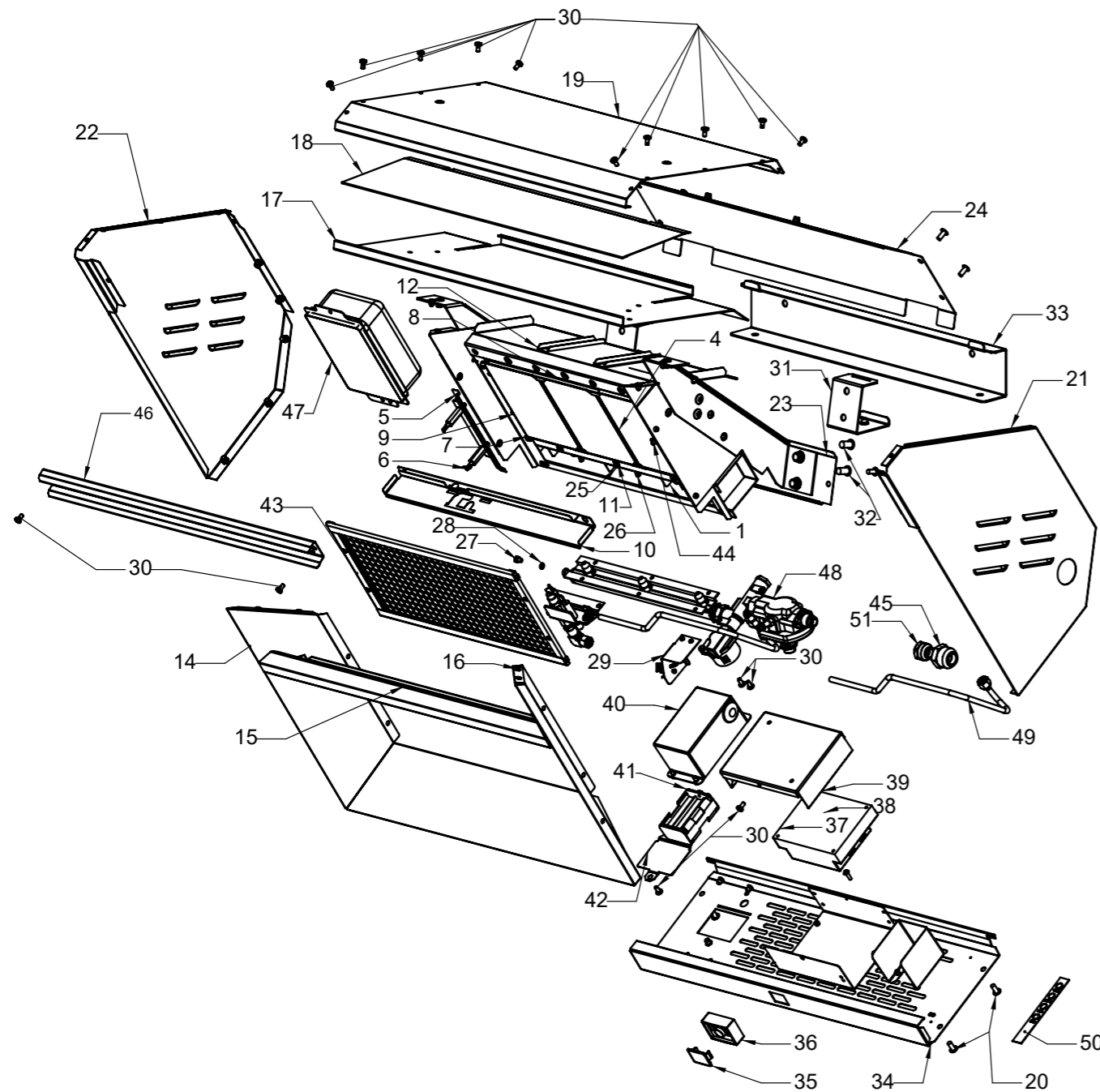


## Outdoor electronic Super Ray heater (ODHRAD3E)

This diagram is provided to assist you to identify parts if replacement is necessary. Contact your place of purchase or the manufacturer to enquire about parts, availability and/or service.



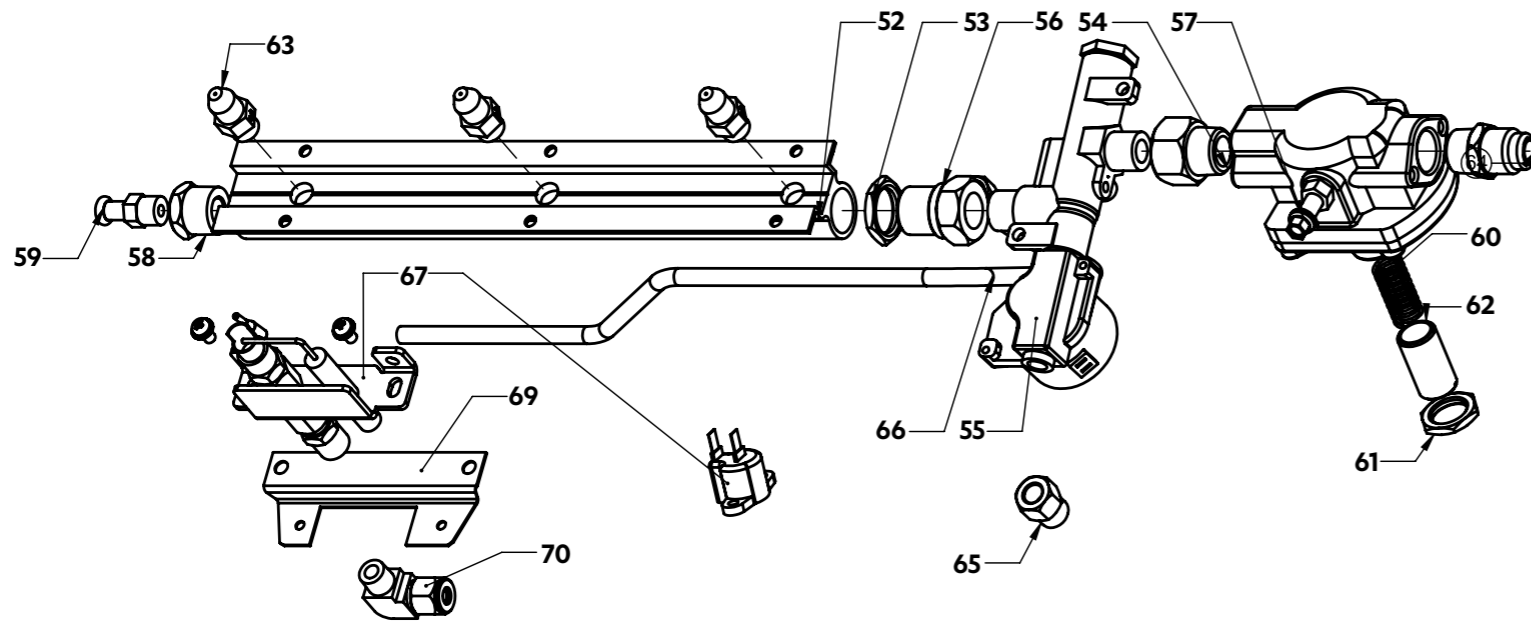
Ref.	Description	Qty.	Part No.
1	Burner assembly painted	-	-
-	Burner assembly (includes: burner body, ceramic plaque, and ceramic wool)	3	1514
4	Panel burner partition	2	6018
5	Plaque retainer side	2	6019
6	Econ screen pin	4	10048
7	Plaque retainer bottom	1	10079
8	Plaque retainer top	1	10095
9	Nut M4 ZP	4	9186
10	Cross lighting bracket	1	10037
11	Screw 8x10 THPSZ Phil	3	9020
12	Heat diverter assembly	-	-
13	Screw 2 truss 4x8 tap chrome	2	9154
14	Reflector assembly	-	-
15	Reflector top	-	-
16	Rivet pop plain 73 AS 5.3 SS	19	9324
17	Heat deflector	-	-
18	Heat shield	-	-
19	Surround top	-	-
20	Screw button socket 304	14	9006
21	Surround RH side assembly	1	11362
22	Surround LH side assembly	1	10087
23	Surround rear lower	1	10045
24	Surround rear upper assembly	1	10080
25	Earthing screw	2	9143
26	Screw 8x3/8 PHPSZ Phil	6	9019
27	Pressure test point screw	1	9994
28	Pressure test point packing	1	9995
29	Tip over switch bracket assy.	1	11361
30	Screw M4x8 Pan Phil 304	16	9061
31	Heater bracket	2	10015
32	Screw button socket M8x16	4	9007
33	Wall bracket	1	10016
34	Panel bottom surround assy.*	1	11359
35	Receiver cover	1	7539
36	Receiver unit c/w holder	1	10078
37	Control PCB	1	-

Ref.	Description	Qty.	Part No.
38	Screw 8x1/2 SS	2	9022
39	Control box cover	1	10040
40	Panel supply box assembly	1	11358
41	Battery housing	1	11357
42	Supply box cover	1	10043
43	Economiser screen assembly	1	1513
44	Split pin ZP	4	9360
45	Nut 1/2 compression	1	5064
46	Louvre painted	1	10036F
47	Ceramic plaque burner body assy.	1	1514
48	Gas control electronic—see p. 2	-	-
49	Pilot tube replacement	1	11356
50	EDB2 control panel	1	10054
51	Nut 3/8 compression w-series	1	5030

- Non-serviceable part  
\* Includes control panel

## Outdoor electronic Super Ray heater (ODHRAD3E)

This diagram is provided to assist you to identify parts if replacement is necessary. Contact your place of purchase or the manufacturer to enquire about parts, availability and/or service.



Ref.	Description	Qty.	Part No.
52	Manifold	1	10063
53	Locknut brass $\frac{3}{8}$ "	1	5070
54	Union body $\frac{3}{8}$ " BSPT x M14 x 1.5	1	10064
55	ACS2 LP valve	1	10050
56	Union body $\frac{3}{8}$ " BSPF x M14 x 1.5	1	10065
57	Regulator $\frac{3}{8}$ " w-series	1	5042
58	Test point plug	1	6033
59	Pressure test point	1	9992
60	Gas cock spring	1	9991
61	Gas cock locknut	1	9996
62	Gas cock adjust/screw (long)	1	9999
63	Injector main 0.8 LPG	3	5450
64	Union body $\frac{3}{8}$ " BSPT x $\frac{3}{8}$ " C	1	5061
65	Adaptor M8 x 1	1	10068
66	Pilot tube	1	11356
67	Pilot c/w thermocouple NG	1	10046
68	Earth screw	2	9143
69	ODS pilot bracket	1	10047
70	Elbow 6 mm x $\frac{1}{8}$ " BSPT	1	7986