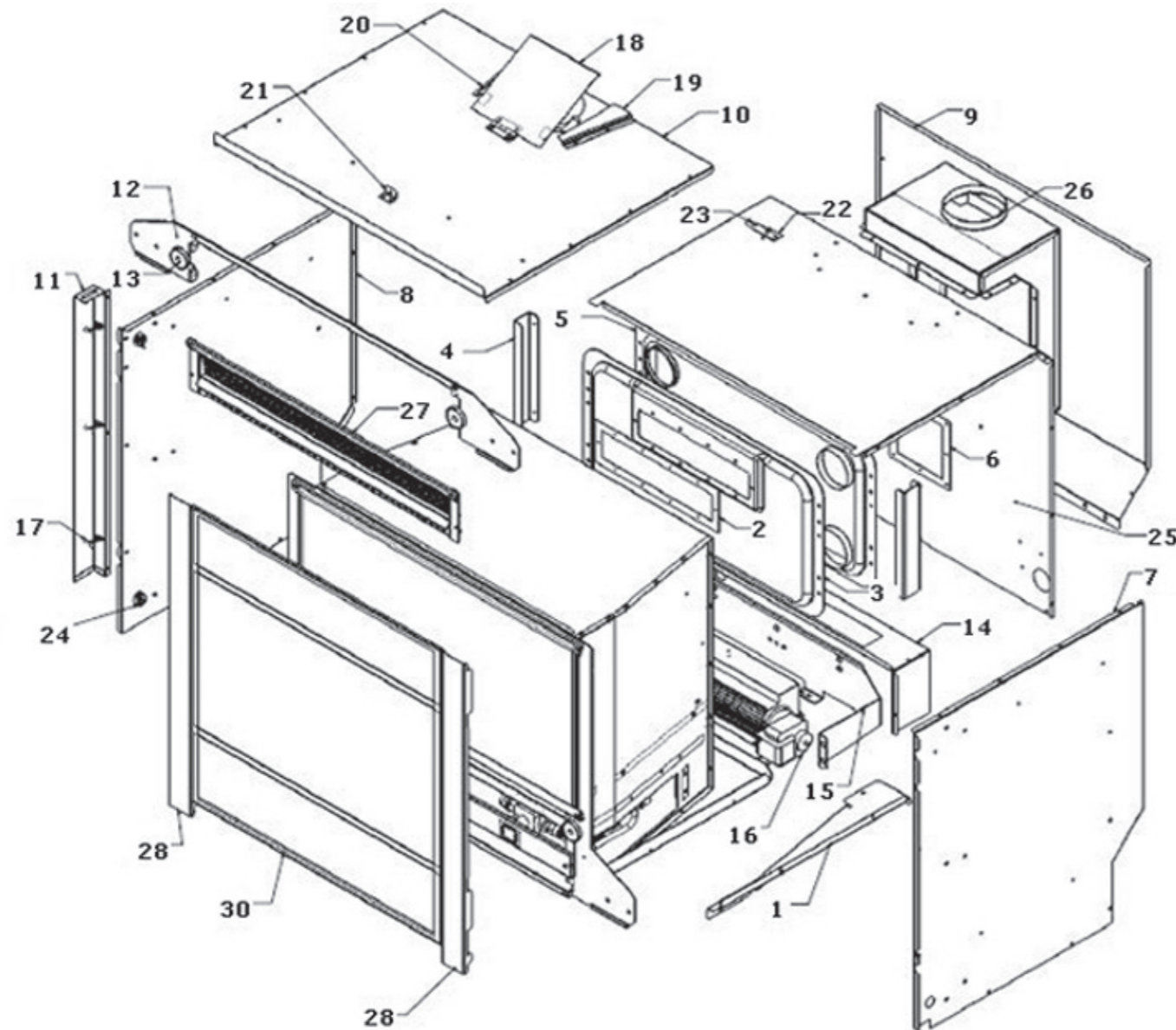


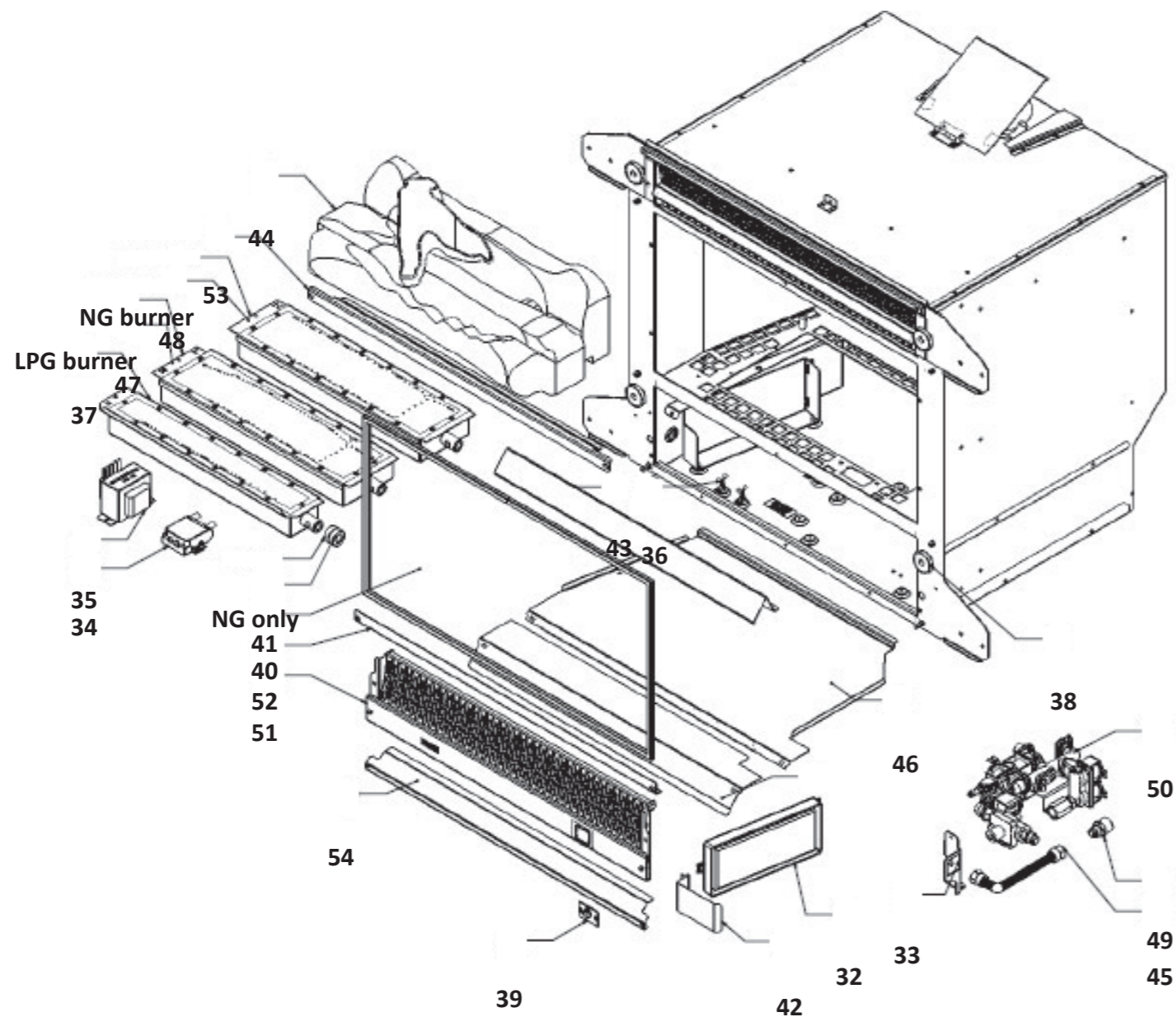
Reflection (IB300) gas fireplace ETR models

This diagram is provided to assist you to identify parts if replacement is necessary. Contact your place of purchase or the manufacturer to enquire about parts, availability and/or service.



Ref.	Description	Part No.	Qty.
1	Bracket fan divider right hand	10895	1
2	Ceramic adhesive tape	10925	1
3	Heat exchanger front	10890	1
4	Heat exchanger bracket	10893	2
5	Heat exchanger rear	10891	1
6	Ceramic adhesive tape	10926	1
7	Panel RH side outer	10902	1
8	Panel LH side outer	10901	1
9	Panel rear	10903	1
10	Panel top	10904	1
11	Panel wire cover	10916	1
12	Top support trim assembly	10906	1
13	Magnet	7136	4
14	Fan discharge guide	10918	1
15	Panel fan mounting	10956	1
16	Fan kit 10100X1	R1903	1
-	Harness MVL fan 2-speed (with earth)	10300	1
17	Cable clip	6698	3
18	Flue guard assembly	7274	1
19	Flue spigot guide RH	7241R	1
20	Flue spigot guide LH	7241L	1
21	Bracket flexi	10976	1
22	Thermal fuse bracket	10991	1
23	Thermal fuse harness	7553	1
24	Insulating bush	10657	2
25	Panel air divider painted	10914F	1
26	Spigot	10900F	1
27	Air discharge assembly painted	10907GL	1
28	Trim kit painted	R2765GL	1
30	Dress guard	10922B	1
-	Thermistor overheat switch	7549	1
-	Control harness - engine	10930	1

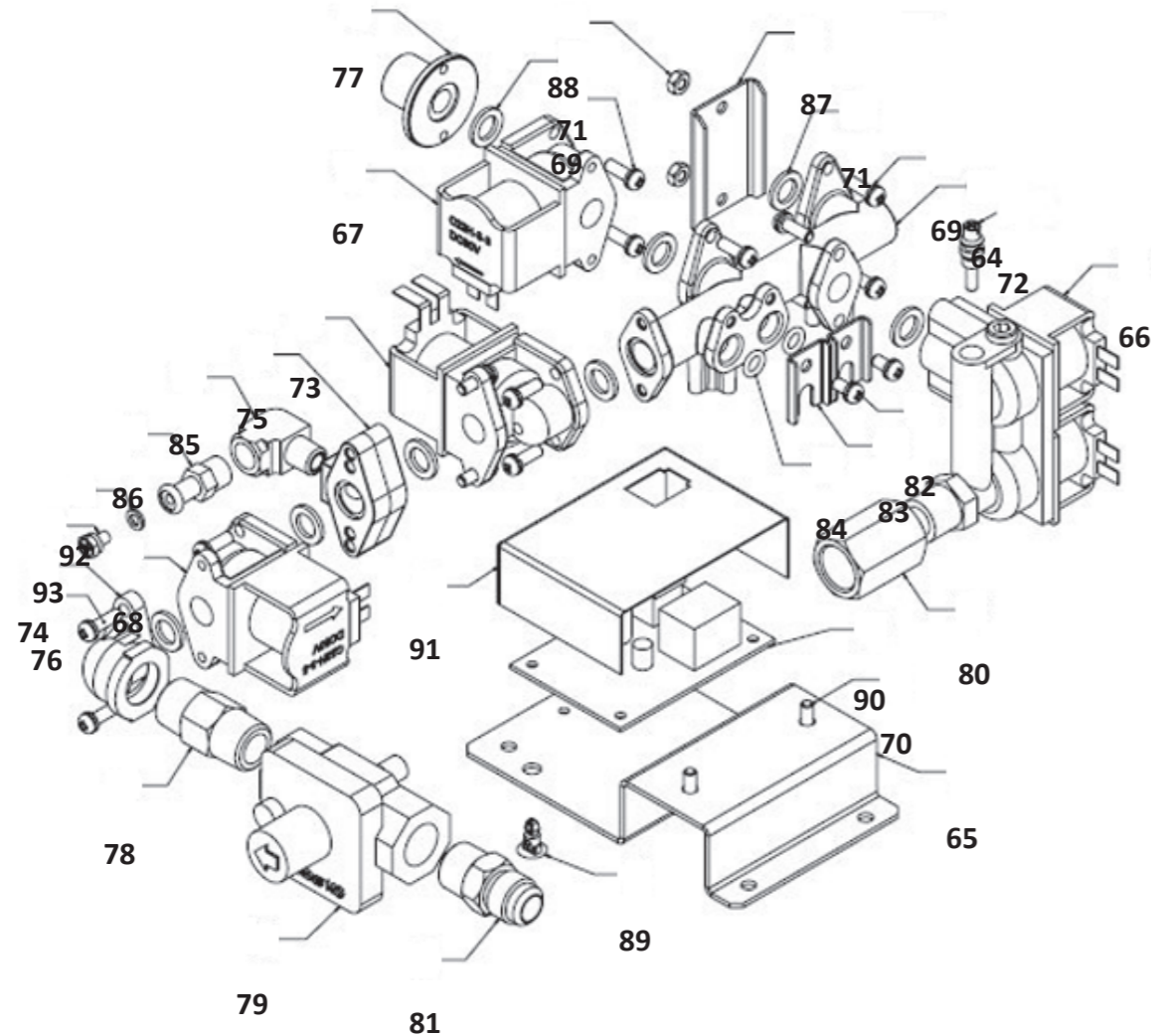
This diagram is provided to assist you to identify parts if replacement is necessary. Contact your place of purchase or the manufacturer to enquire about parts, availability and/or service.



Ref.	Description	Part No.	Qty.
31	Panel air divider - lower	10905F	1
32	PCB assembly	7544	1
33	Regulator support	7614	1
34	Spark ignitor	7542	1
35	Transformer	7543	1
36	Clip thermistor	7554	2
37	Burner assembly painted	7924	1
38	Magnet	7136	4
39	Receiver unit	7536	1
40	Glass assembly (glass + seal tape)	10861	1
-	Glass seal replacement tape kit	R7010	1
41	Aeration sleeve 18.5 mm	7295	1
42	Pilot shield painted	10924B	1
43	Burner diverter panel painted	10917F	1
44	Log set with granules	7044	1
45	Flexitube (3/8 x 8 with 5/8-18 nuts)	7835	1
46	Panel fan lower	10995	1
47	Burner main LPG	10998	1
48	Burner main NG	4970	1
49	Reducing flare	5074	1
50	Gas control assembly LPG spare	10863	1
50	Gas control assembly NG spare	10864	1
51	Air intake replacement assembly GL	10862GL	1
52	Bracket glass retainer lower painted	10909B	1
53	Bracket glass retainer upper painted	10910B	1
54	Panel lower trim rail	10912GL	1
-	Universal sparker lead kit	R7205	1
-	Harness - main	10929	1
-	Harness XForm ETR	7631	1
-	Power cord uni control black	13402	1
-	Remote control (Please note: CR2025 cell battery is not included)	13100	1

Reflection (IB300) gas fireplace ETR models

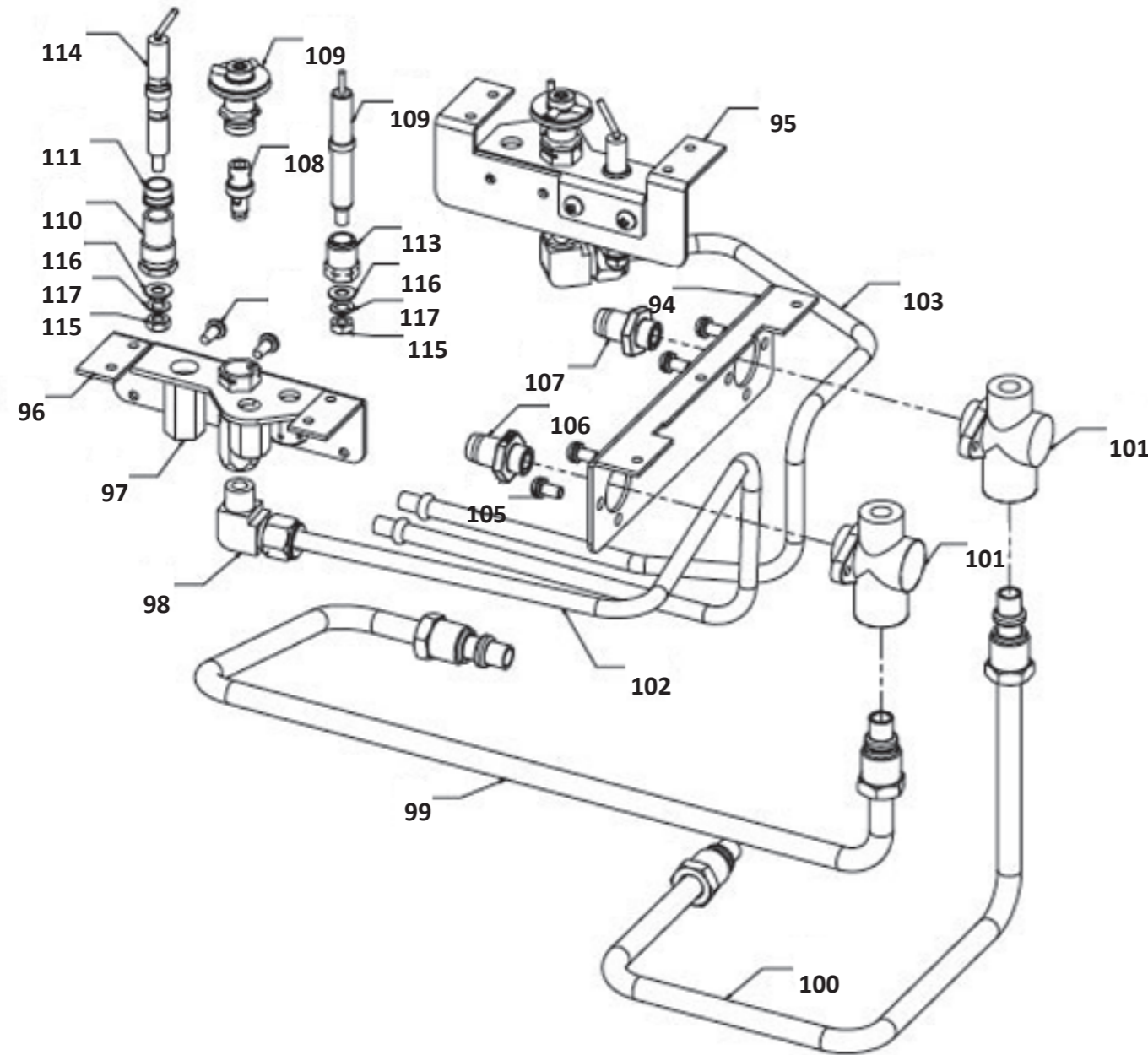
This diagram is provided to assist you to identify parts if replacement is necessary. Contact your place of purchase or the manufacturer to enquire about parts, availability and/or service.



Ref.	Description	Part No.	Qty.
64	Manifold ETR	7454	1
65	Mounting bracket gas control	10915	1
66	Solenoid 2-position (C23H-9-4-S)	7560	1
67	Solenoid (C23H-3-3-S)	7558	1
68	Solenoid (C2H-3-5-S)	7555	1
69	Screw M4 x 12 (MACH with washer)	9070	14
70	Screw M4 x 10 (PHPMZ springwash)	9068	2
71	Regulator packing (EC-06717 R22SL)	6121	8
72	Bypass screw NG (C6C1-5xo1 A3.50)	7529	1
73	Bypass screw LPG (C6C1-6A-1.05)	7533	1
74	Manifold elbow	7456	1
75	Manifold adaptor	7455	1
76	Screw M4 x 14 (PHPMZ springwash)	9160	2
77	Manifold tube adaptor	7974	1
78	Hex nipple (3/8 x 1.5")	7523	1
79	NG regulator maxi (RV20LM-33-D-0 7-13mb)	7632	1
79	LPG regulator maxi (RV20LM-33-G-0 20-30mb)	7633	1
80	Union body	7973	1
81	Flare male union	7031	1
82	Screw M4 x 8 (PHPMZ springwash)	9064	6
83	Gas tube retainer	6313	2
84	O-ring (M10B-1-6)	6308	1
85	Elbow (1/8" M&F)	7452	1
86	Pressure test point	9992	1
87	Blanking plate	10939	1
88	Nut (M4 ZP)	9186	6
89	PCB spacer	10428	3
90	PCB delay	10972	1
91	PCB cover panel	10987	1
92	Pressure test point screw packing	9995	1
93	Pressure test point screw	9994	1

Reflection (IB300) gas fireplace ETR models

This diagram is provided to assist you to identify parts if replacement is necessary. Contact your place of purchase or the manufacturer to enquire about parts, availability and/or service.



Ref.	Description	Part No.	Qty.
94	Injector block bracket front	7950	1
95	Pilot bracket rear	7985	1
96	Pilot bracket front	7904	1
97	Pilot body top convertible	7870	2
98	Elbow (6 mm x 1/8" BSPT)	7986	2
99	Tube gas supply A	7931	1
100	Tube gas supply B	7932	1
101	Injector block A+B	7952	2
102	Tube pilot front	7945	1
103	Tube pilot rear	10960	1
104	Screw 8 x 3/8 (PHPSZ)	9148	4
105	Screw M4 x 8 (PHPMZ springwash)	9064	6
106	NG injector Bray (260 CAT33 multi)	7338	1
106	LPG injector Bray (95 CAR23 single)	7173	1
107	NG injector Bray (560 CAT33 multi)	7337	1
107	LPG injector Bray (170 CAT33 multi)	7184	1
108	NG injector pilot 51	7872	2
108	LPG injector pilot 35	7873	2
109	Pilot convertible hood 2-flame	7871	2
110	Electrode nut	7900	2
111	Spacer electrode pilot	7902	2
112	Electrode	7875	2
113	Electrode nut (SIT)	7876	2
-	Electrode sleeve	7564	1
114	Flame rod	7520	2
-	Flame rod harness	10962	1
115	Nut M4 ZP	9186	6
116	Washer flat M4 ZP	9231	4
117	Washer spring M4 ZP	9233	4