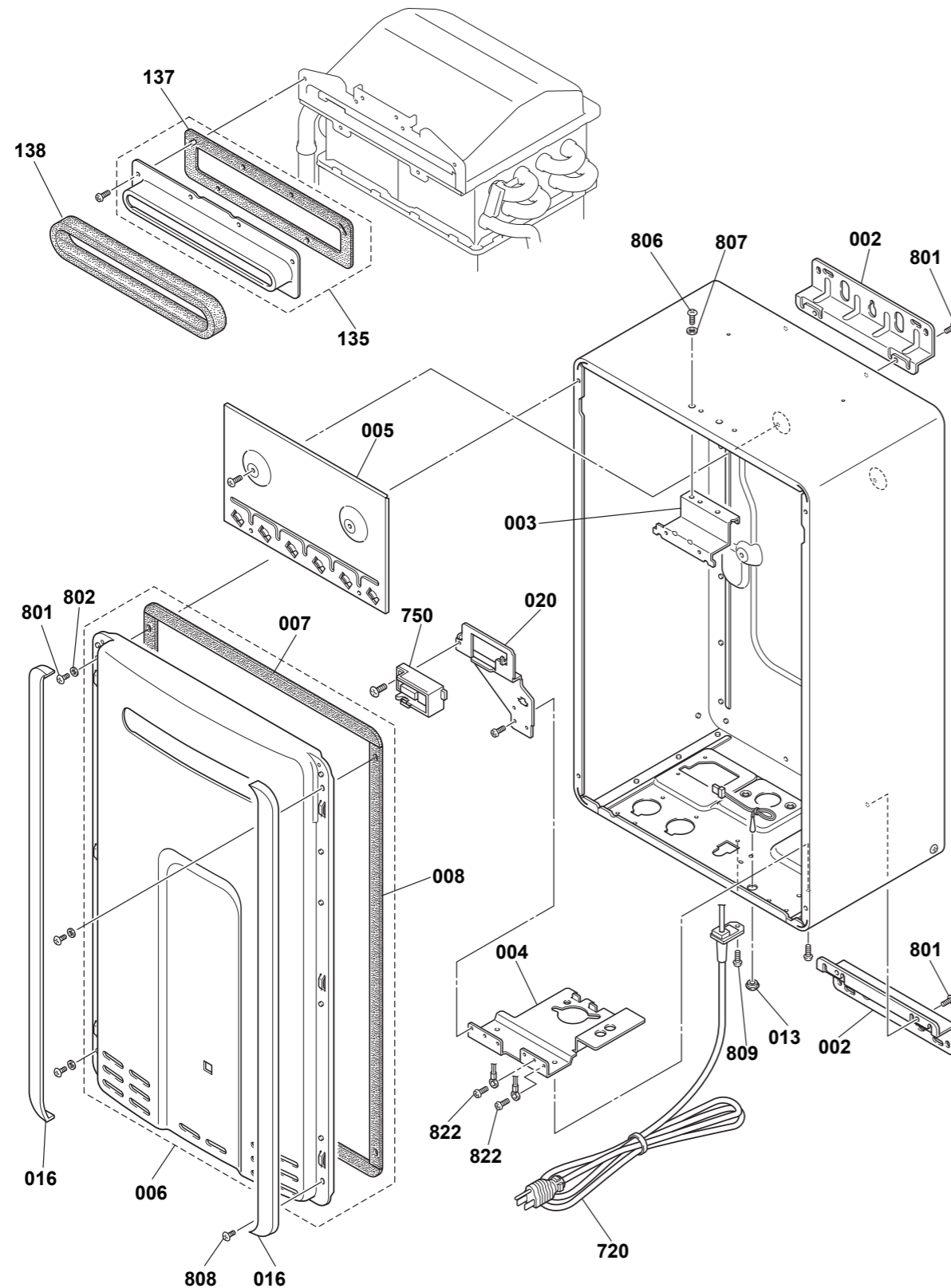
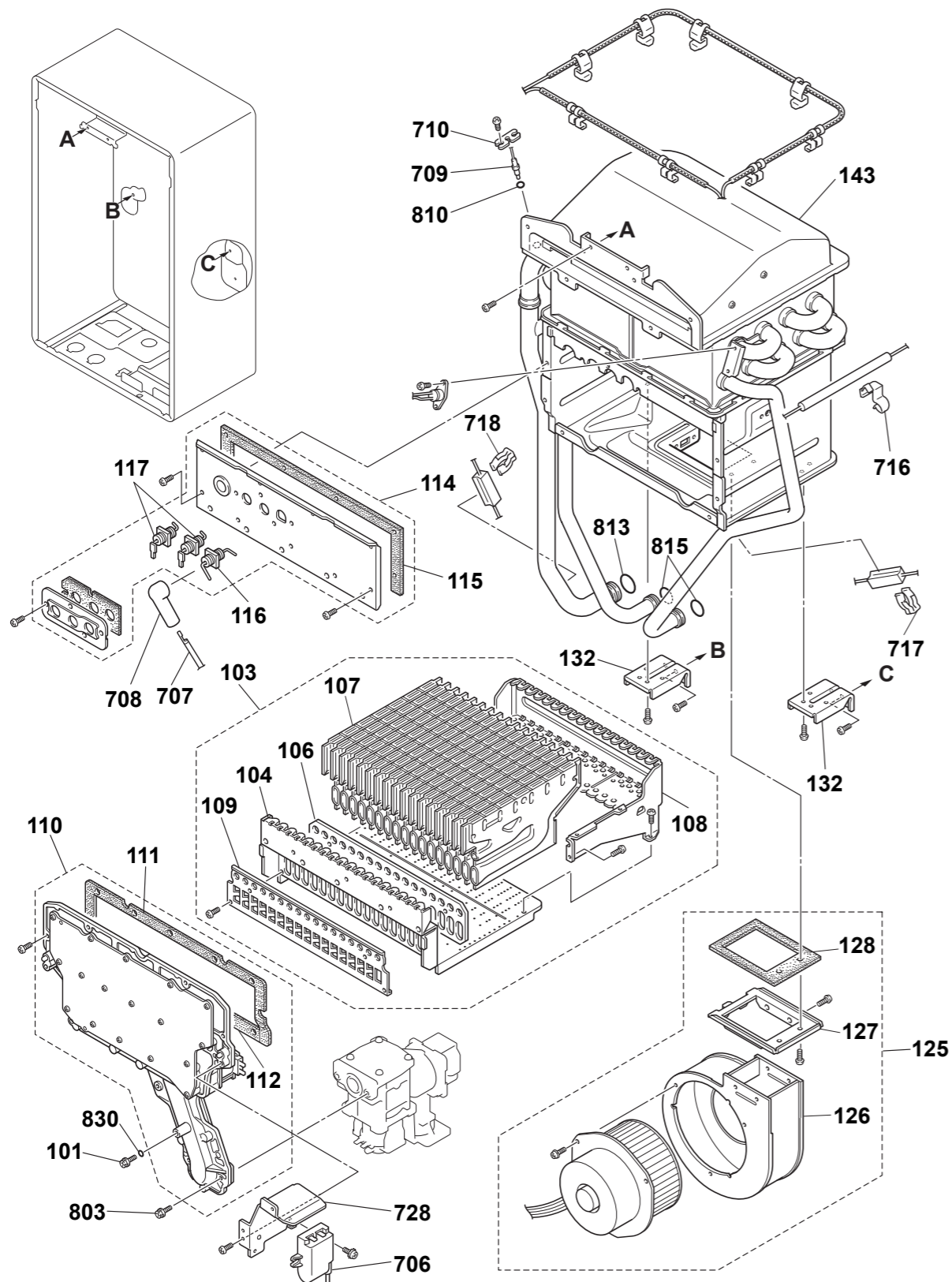


This diagram is provided to assist you to identify parts if replacement is necessary. Contact your place of purchase or the manufacturer to enquire about parts, availability and/or service.



Ref.	Description	Part No.
002	Wall bracket HD49	40428
003	Top plate reinforcement	40365
004	Connection reinforcement panel	40429
005	Heat protection plate	40366
006	Front panel assembly	40430
007	Front panel packing top	40367
008	Front panel packing side	40368
013	Low adjustment cap	40369
016	Front cover trim	40370
020	Status monitor fixing plate	40371
135	Flue spigot assembly	40391
137	Sealing flue spigot	40392
138	Flue termination gasket	5334
720	Power cord	40195
750	Monitor assembly	40406
801	Truss screw INF front panel	2939
802	Resin washer	4762
806	Screw pack INF front panel	R5040
807	Washer AU48-174X01	4764
808	Earth screw INF front panel	2897
809	Power cord fixing screw	40444
822	Screw earth pole	40316

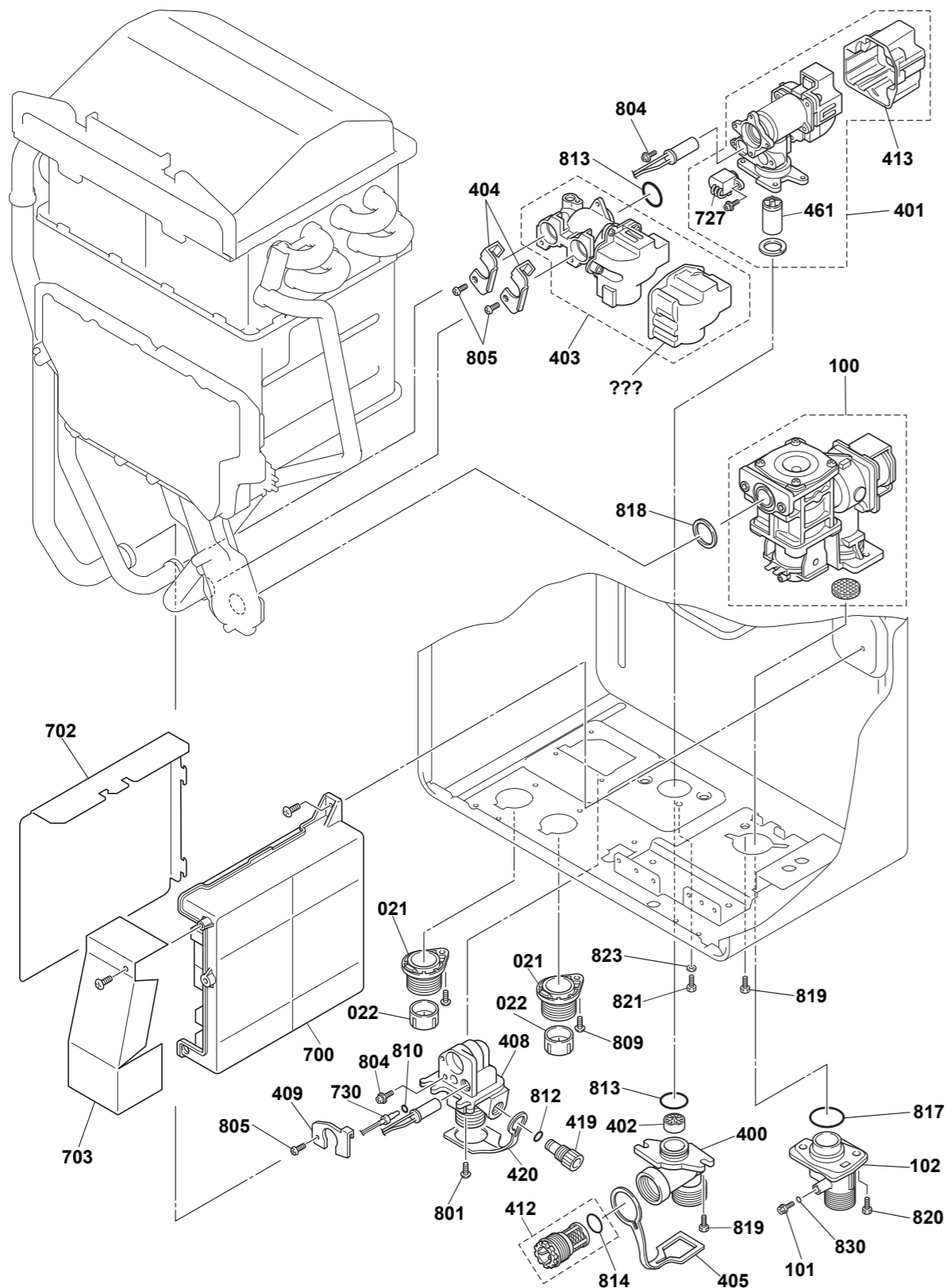
This diagram is provided to assist you to identify parts if replacement is necessary. Contact your place of purchase or the manufacturer to enquire about parts, availability and/or service.



Ref.	Description	Part No.
101	Test point screw	40338
103	Burner unit assembly NG	40372
103	Burner unit assembly LPG	40434
104	Burner case front panel	40373
105	Burner case bottom plate	-
106	Gasket burner case front	40374
107	Lean and rich burner assembly	3440
108	Burner case back plate	40375
109	Damper NG	40376
109	Damper LPG	40435
110	Manifold assembly LPG	40377
110	Manifold assembly NG	40378
111	Combustion chamber packing	40379
112	Sealing lower combustion chamber	40380
114	Combustion chamber assy. front	40436
115	Gasket combustion chamber	40382
116	Electrode (part of #114)	-
117	Flame rod	5694
119	Electrode packing	40385
125	Fan motor assembly	40386
126	Fan casing assembly	5348
127	Fan connection bracket	40387
128	Fan connection seal	40388
132	Heat exchanger bracket	40390
143	Heat exchanger assembly	40437
706	Igniter assembly	2886

Ref.	Description	Part No.
707	High tension lead	3651
708	Electrode sleeve	3475
709	Thermistor	40440
710	Thermistor clip	3882
716	Antifrost heater clip circular	40397
717	Heater clip A	2032
718	Antifrost heater clip	3536
728	Igniter fixing plate	40400
803	Manifold fixing screw	5740
810	O-ring M10B-2-4	3832
813	O-ring M10B-2-18	3627
815	O-ring M10B-2-14	3826
830	O-ring M10B-13-4	40224

This diagram is provided to assist you to identify parts if replacement is necessary. Contact your place of purchase or the manufacturer to enquire about parts, availability and/or service.

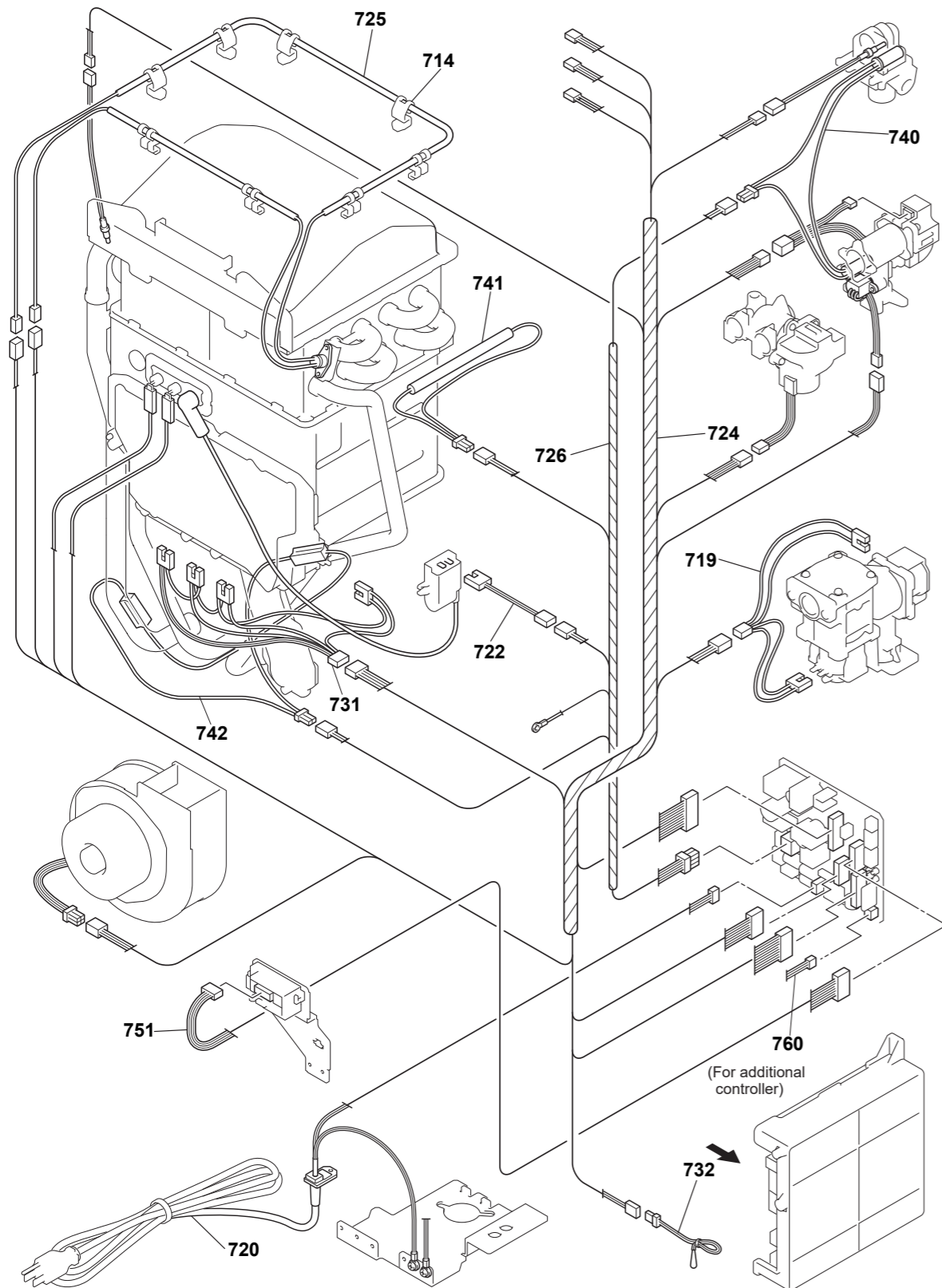


Ref.	Description	Part No.
021	Cable connection	40434
022	Cable seal packing	3551
100	Gas control assembly	40432
101	Test point screw	40388
102	Gas inlet connection 3/4	40433
400	Water inlet 3/4	3484
401	Water flow servo and sensor	40393
402	Flow straightener	3487
403	Bypass servo assembly	40394
404	Fixing bracket	3624
405	Plug band inlet	2927
408	Hot water outlet 3/4	5706
409	Fixing bracket	3948
412	Incoming water filter	3839
413	Water flow servo cover	40348
419	Drain valve	3491
420	Plug band	5707
461	Water flow turbine (part of 401 assembly)	-
700	PCB main assembly	40438
702	Sub circuit board cover	40396
703	PCB cover	40439
727	MR sensor	5239
730	Twin thermistor	40194
801	Truss screw	2939
804	Thermistor stop screw	3241
805	Screw bypass retaining plate	40313
809	Power cord fixing screw	40444
810	O-ring M10B-2-4	3832
812	O-ring 7 68E/51FT	1031
813	O-ring M10B-2-18	3627
814	O-ring M10B-2-16	1244
817	O-ring (P-24)	3837

Ref.	Description	Part No.
818	Packing	5255
819	Hexagon head screw ZQAA0512UK	4770
820	Hexagon head screw ZQAA0514UK	4771
821	Screw ZQAA0508UK	4772
823	Gas connection screw washer	5741
830	O-ring M10B-13-4	40224



This diagram is provided to assist you to identify parts if replacement is necessary. Contact your place of purchase or the manufacturer to enquire about parts, availability and/or service.



Ref.	Description	Part No.
714	Thermal fuse fixing plate	4899
719	Main solenoid harness	40441
720	Power cord INF	40195
722	Igniter lead-2	40398
724	Sensor harness	40442
725	Fuse harness	40399
726	Power relay harness	40443
731	Solenoid harness	40401
732	Thermistor	40402
740	Valve heater-2	40403
741	Ceramic antifrost heater	40404
742	Block heater W-2	40405
751	Status monitor harness-2	40407
760	Remote control lead (pre-wired mini plug) (1 is supplied with each unit—located with guides in a small plastic bag)	40293