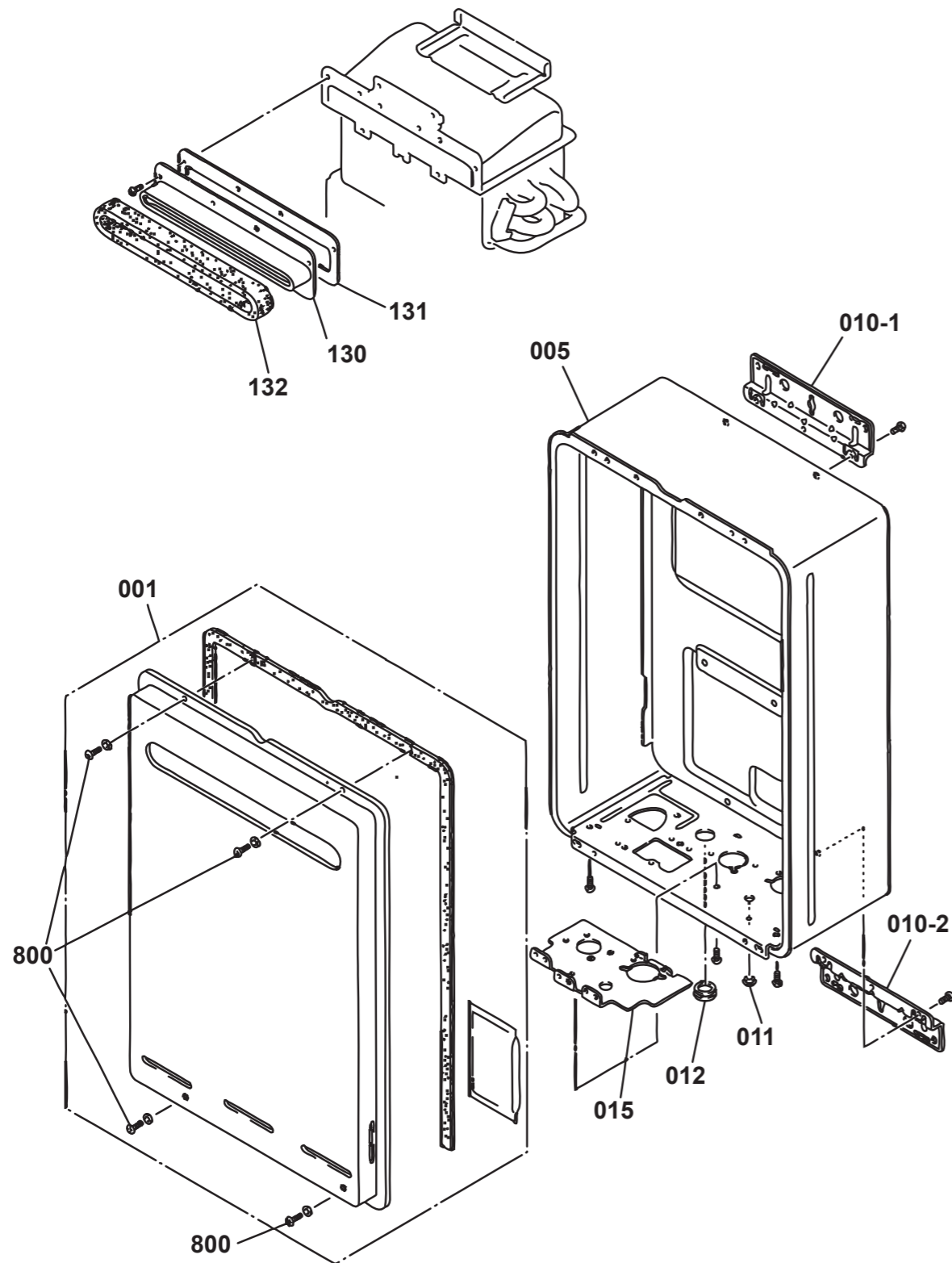
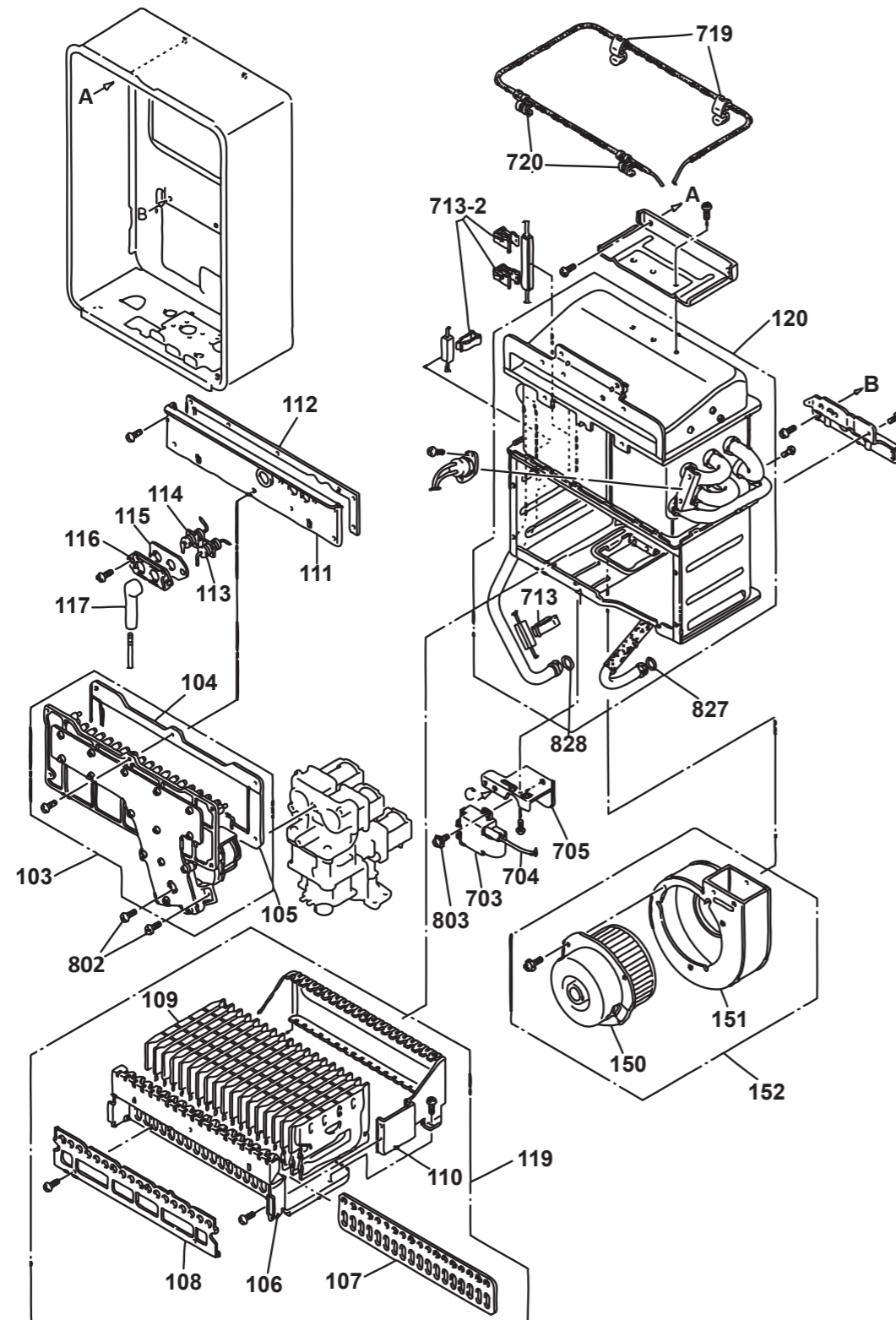


This diagram is provided to assist you to identify parts if replacement is necessary. Contact your place of purchase or the manufacturer to enquire about parts, availability and/or service.



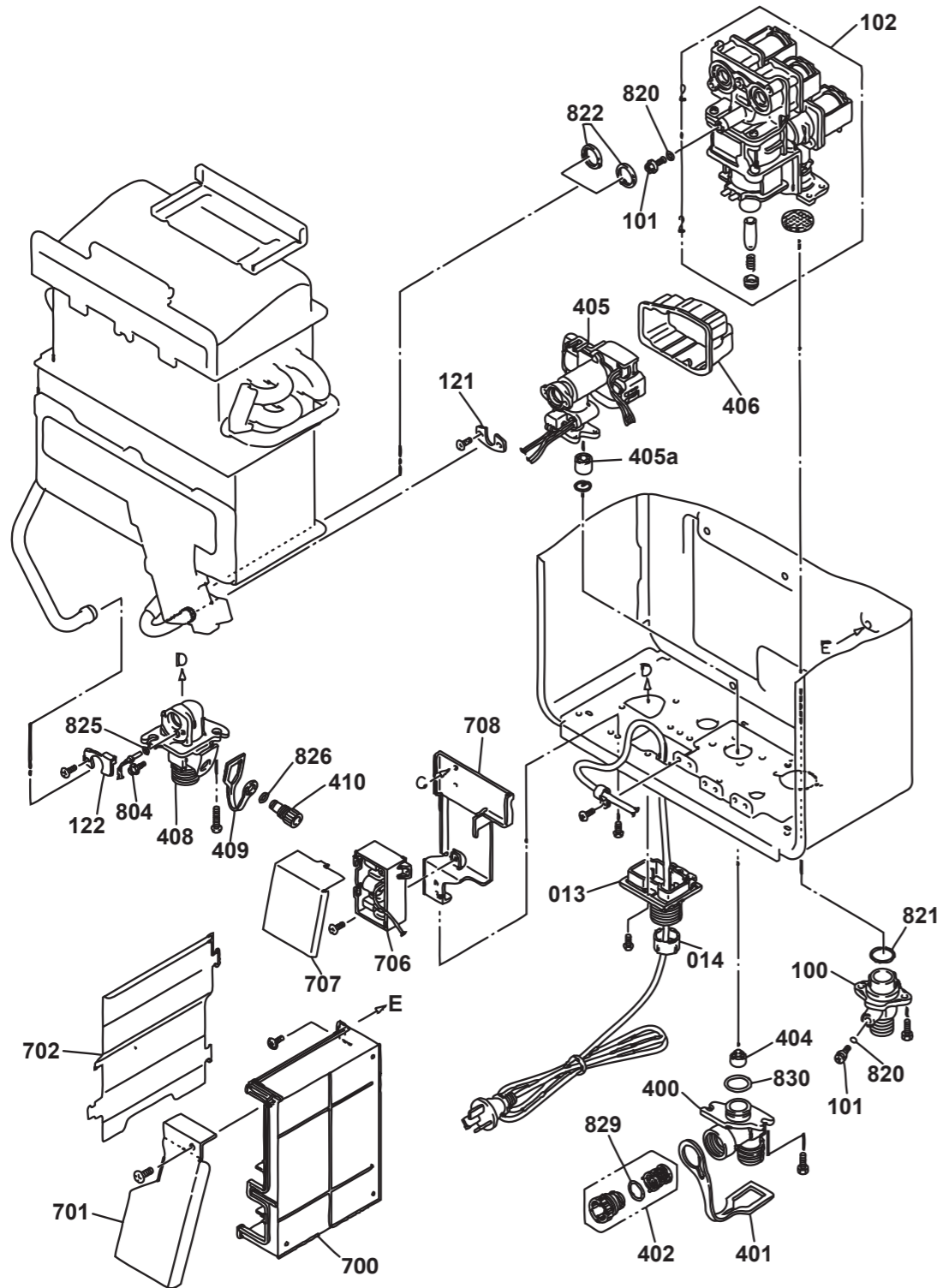
Ref.	Description	Qty.	Part No.	Stocked Item
001	Panel front assembly	1	5751	Y
005	Main body (outer case)	1	5752	-
010	Wall bracket	2	3387	Y
011	Low adjustment cap	1	2898	-
012	Rubber bushing C	1	2881	-
015	Connection reinforcement panel	1	2864	-
130	Flue outlet	1	2865	-
131	Flue outlet packing	1	2933	-
132	Main body seal packing	1	2934	-
800	Screw pack for front panel	1	R5040	Y

This diagram is provided to assist you to identify parts if replacement is necessary. Contact your place of purchase or the manufacturer to enquire about parts, availability and/or service.



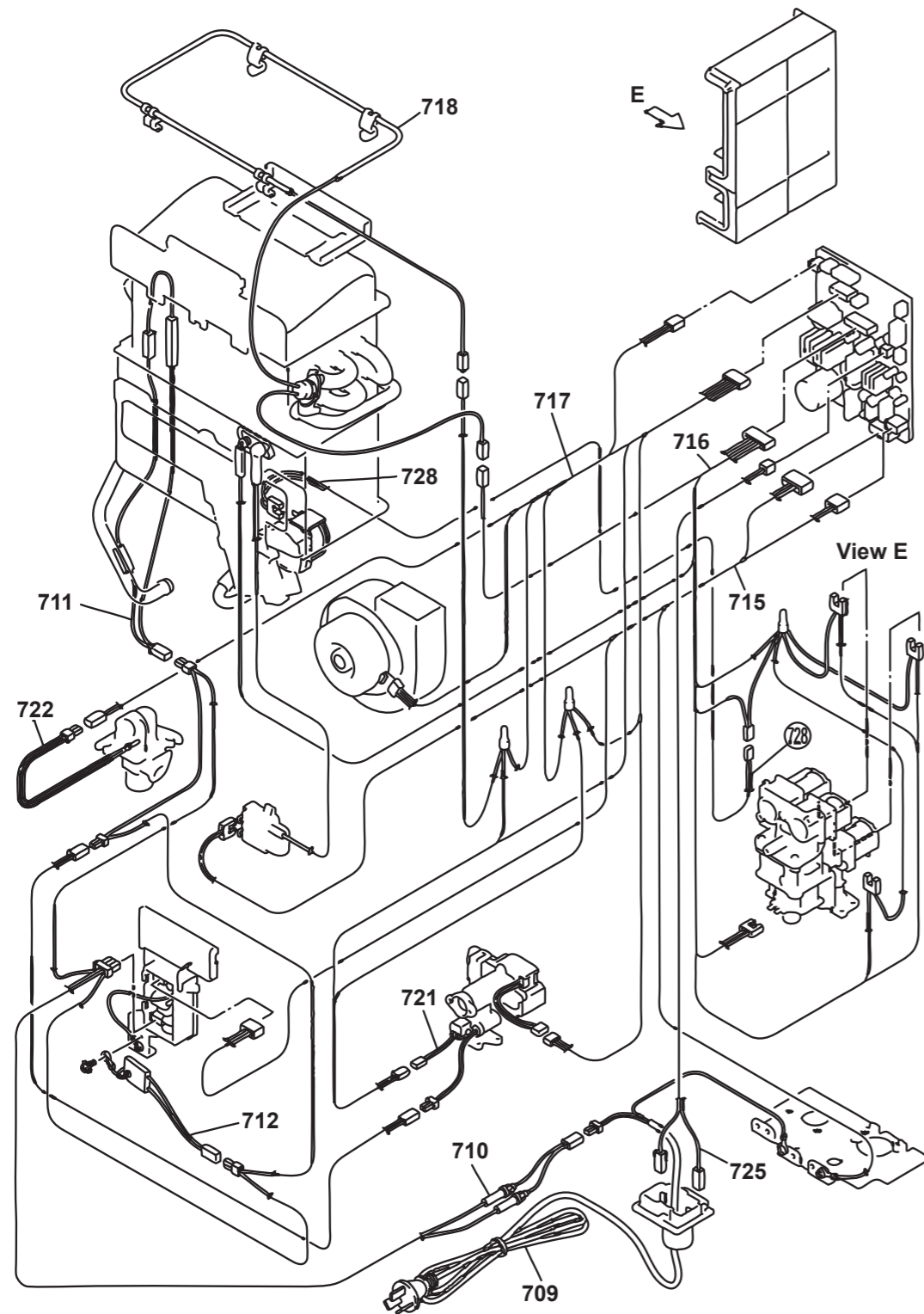
Ref.	Description	Qty.	Part No.	Stocked Item
103	Manifold assy LPG - 24/26	1	5754	Y
103	Manifold assy NG - 24/26	1	5755	Y
104	Manifold packing upper	1	2929	Y
105	Manifold packing lower	1	5756	Y
106	Burner case front	1	2867	-
107	Packing	1	2931	-
108	Damper	1	2879	Y
109	Lean and rich burner assy	22	2941	-
110	Burner case rear	1	2874	-
111	Comb. chamber packing top - 24/26	1	5757	-
112	Comb. chamber front panel packing - 24/26	1	5758	Y
113	Electrode	1	3445	-
114	Flame rod	1	3464	-
115	Packing electrode	1	5759	Y
116	Electrode packing	1	5760	-
117	Electrode sleeve	1	3475	Y
119	Burner assembly - 24/26	1	5761	-
120	Heat exchanger assembly - 24/26	1	5762	Y
120	AW (aggressive water) HEX assy VTa26	1	5762T	Y
150	Fan motor assy	1	2883	Y
151	Fan casing assembly	1	2863	Y
152	Combustion fan assembly	1	5763	-
703	Ignitor assembly Infinity	1	2886	Y
704	HT Lead (L=360)	1	5765	Y
705	Ignitor bracket	1	2900	-
713	Heater fixing plate	4	2899	Y
719	Temperature fuse fixing plate	2	3659	-
720	Thermal fuse fixing plate	2	4899	-
803	Tapping screw	1	2896	-
827	O-ring heat exchanger inlet	1	4912	-
828	O-ring heat exchanger outlet	1	3826	-
-	Gasket Kit VT24/VT26 (includes; 104, 105, 112, 115)	1	5795	Y

This diagram is provided to assist you to identify parts if replacement is necessary. Contact your place of purchase or the manufacturer to enquire about parts, availability and/or service.



Ref.	Description	Qty.	Part No.	Stocked Item
013	Quick control connection	1	2877	-
014	Cable seal packing	1	2928	-
100	Gas connection	1	3074	-
101	Pressure point screw	2	3564	-
102	Gas control	1	5753	Y
121	Bracket Infinity	1	3331	-
122	Fixing bracket Infinity	1	3332	-
400	Water inlet	1	3484	-
401	Plug band inlet	1	2927	-
402	Incoming water filter	1	3839	-
404	Flow straightener	1	3487	-
405	Water servo and sensor	1	2944	Y
405a	Water sensor turbine	1	2850	-
406	Water flow servo cover	1	2871	-
408	Hot water outlet	1	3240	-
409	Plug band hot water Infinity	1	2926	-
410	Pressure relief valve	1	3491	-
700	PCB main assembly VT V2	1	5899	Y
701	EC cover 2-Z	1	2872	-
702	PCB cover	1	2866	-
706	Surge protector	1	4930	Y
707	Sub circuit board cover	1	2873	-
708	Fixing plate	1	2925	-
804	Thermistor stop screw	1	3241	-
820	O-ring	2	2239	-
821	Infinity gas inlet o-ring	1	3837	-
822	O-ring gas control	2	3773	Y
825	O-ring thermistor	1	3832	-
826	O-ring pressure relief valve	1	1031	-
829	O-ring water filter	1	1244	-
830	O-ring in/out water	1	3627	-

This diagram is provided to assist you to identify parts if replacement is necessary. Contact your place of purchase or the manufacturer to enquire about parts, availability and/or service.



Ref.	Description	Qty.	Part No.	Stocked Item
709	Power cord	1	3526	Y
710	Fuse harness	1	2855	Y
711	Valve heater assembly	1	4900	Y
712	Frost sensing switch	1	3358	Y
715	Electric power harness	1	2888	Y
716	Harness solenoid	1	5766	Y
717	Sensor harness	1	5768	Y
718	Thermal fuse harness	1	2887	Y
721	MR sensor	1	5239	Y
722	Twin thermistor	1	5769	Y
725	Remote controller harness	1	2891	Y
728	Harness relay solenoid	1	5770	Y