

## Ducted Air Conditioning Quick reference chart

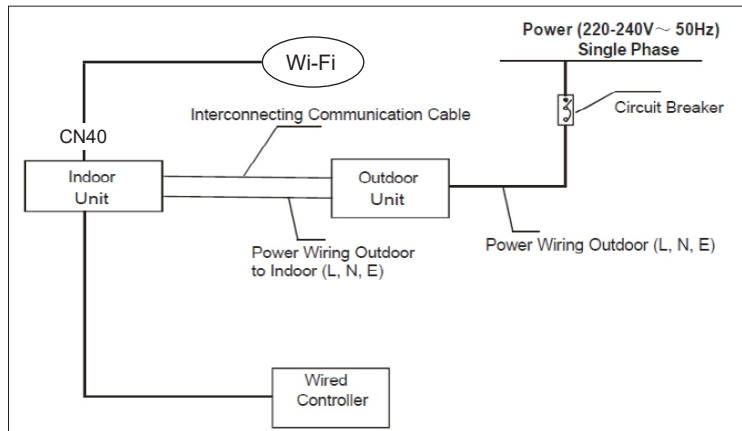


System / model details			Airflow high (ESP)	Rated cooling capacity	Cooling range (min-max)	Rated heating capacity	Heating range (min-max)	Dimensions	Net wgt.	Fan coil duct connections	Sound pressure (H-M-L)	Pipe size liquid	Pipe size gas	Max. pipe length	Max. vertical separation	Pre-charge length	Charge adjust.	System max. input current	Min. CDU circuit breaker size
			L/S	kW	kW	kW	kW	W-D-H (mm)	kg	W x H (mm)	dB(A) @ 1.5m	mm	mm	m	m	m	g/m	A	A
DSNR07A12	DINLR07A12	Indoor	490 (100 Pa)	7.0	2.8~8.4	8.2	3.0~9.0	1100 x 720 x 248	31	S/A 926 x 175	45-41-38	9.5 (3/8")	15.9 (5/8")	50	25	15	30	16	20
	DONSRO7A12	Outdoor						946 x 410 x 810	61	R/A 1001 x 228	58								
DSNR010A12	DINLR10A12	Indoor	490 (100 Pa)	9.9	4.0~12.5	10.6	4.2~12.5	1360 x 720 x 248	40	S/A 1186 x 175	49-46-42	9.5 (3/8")	15.9 (5/8")	65	30	15	30	21.0	25
	DONSRO10A12	Outdoor						946 x 410 x 810	69	R/A 1261 x 228	61								
DSNR012A12	DINLR12A12	Indoor	1075 (150 Pa)	12.7	5.0~15.0	14.4	5.0~17.0	1200 x 625 x 380	54	S/A 1000 x 253	49-46-42	9.5 (3/8")	15.9 (5/8")	65	30	15	30	26.0	32
	DONSRO12A12	Outdoor						952 x 415 x 1333	100	R/A 1145 x 334	62								
DSNR014A12	DINLR14A12	Indoor	1075 (150 Pa)	14.2	5.6~16.1	17.3	5.8~19.0	1200 x 625 x 380	54	S/A 1000 x 253	49-45-42	9.5 (3/8")	15.9 (5/8")	65	30	15	30	26.0	32
	DONSRO14A12	Outdoor						952 x 415 x 1333	116	R/A 1145 x 334	62								

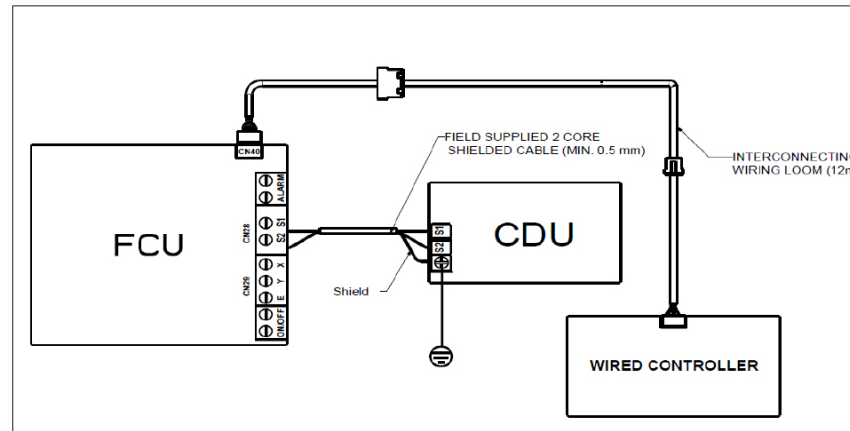
S/A = supply air, R/A = return air

**Power arrangement:** 230 V power supply to be run to the outdoor condensing unit (CDU)

### Wiring circuit schematic diagram



### Wired controller and interconnecting communication cables



### Interconnecting and control wiring (low voltage)

**Communication cable**  
Connecting the FCU and CDU requires a field supplied 2-core shielded cable.

**Thermostat interconnecting loom**  
12 m cable with connectors at both ends is supplied with programmable controller.

**Loom extension (option)**  
6 m extension cable is available