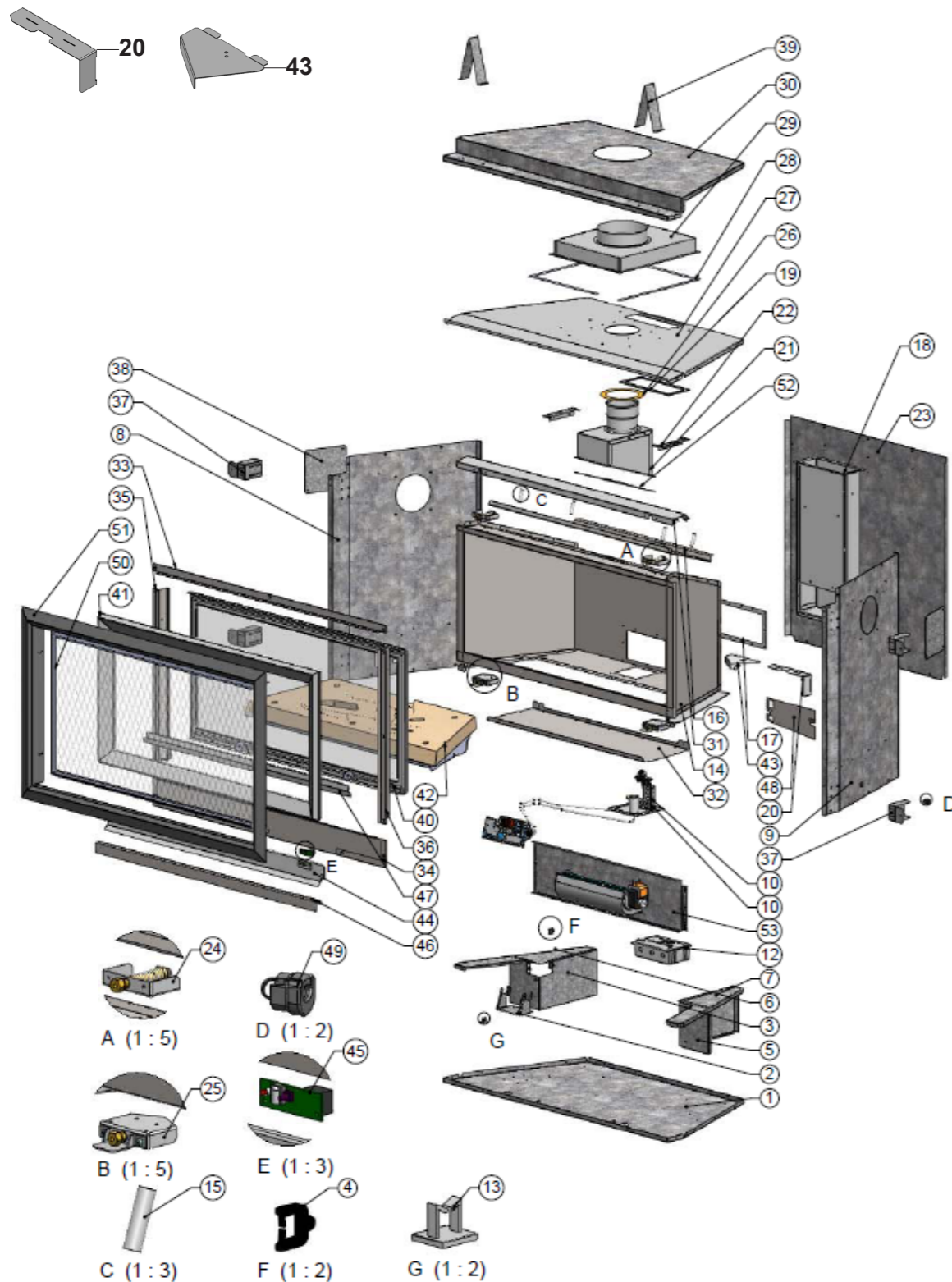


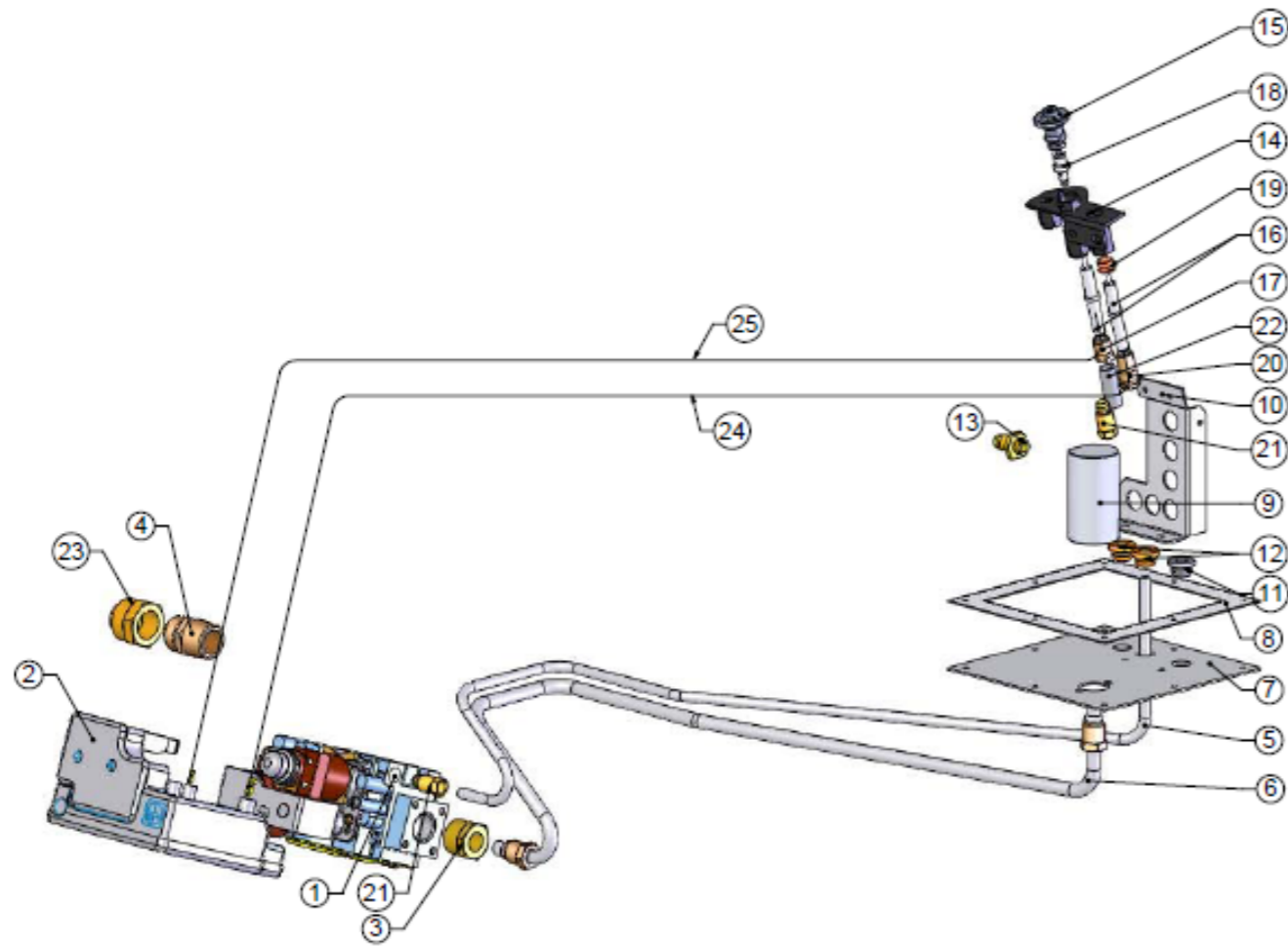
This diagram is provided to assist you to identify parts if replacement is necessary. Contact your place of purchase or the manufacturer to enquire about parts, availability and/or service.



Ref.	Description	Part No.	Qty.
1	Panel bottom	11500	1
2	Gas control bracket SIT	11501	1
3	Fan bracket LH assy	11506	1
4	Protector plastic edge	1880	4
5	Fan bracket RH	11507	1
6	Combustion chamber support side LH	11510	1
7	Combustion chamber support side RH	11511	1
8	Panel side LH	11512	1
9	Panel side RH	11513	1
10	Gas control assy RDV36 NG NZ*	11517*	1
10	Gas control assy RDV36 LPG NZ*	11518*	1
* not sold as a spare, refer diagram on next page			
12	Control unit replacement IR RDV3600	11672	1
13	Cable clip	10309	3
14	Combustion chamber RDV3600 painted	11550F	1
15	Combustion top spacer	11551	4
16	Combustion top painted	11552F	1
17	Air duct outlet gasket	11554	1
18	Air duct assy	11555	1
19	Air duct inlet gasket	11631	1
20	Pilot shield	11514	1
21	Flue discharge & gasket assy RDV3600	11666	1
22	Discharge hood bracket	11509	2
23	Panel rear	11508	1
24	Explosion relief top assy RDV36	11662	2
25	Explosion relief bottom assy RDV36	11663	2
26	Ceramic gasket (140 x 17 x 3)	11625	1
27	Air guide top	11563	1
28	Air duct inlet top gasket RDV36	11642	2
29	Air intake top assy	11565	1
30	Panel top	11564	1
31	Relief spring cover painted	11572F	1
32	Combustion chamber cover assy	11667	1
33	Frame top painted	11575F	1
34	Frame bottom painted	11576B	1
35	Frame side LH painted	11577B	1
36	Frame side RH painted	11578B	1
37	Mounting bracket	11582	4
38	Cover plate	11583	2

Ref.	Description	Part No.	Qty.
39	Spacer bracket top	11584	2
40	Glass and frame assy RDV36	11668	1
41	Inner frame painted GH = satin black HT, GL = black SC = satin chrome SH = satin chrome HT	11590GH 11590GL 11590SC 11590SH	1
42	Burner assembly	11611	1
43	Cover burner assembly (pilot cover)	11669	1
44	Service panel rear assy RDV36	11670	1
45	Main control switch IR RDV3600	11627	1
46	Service panel front painted	11580GL	1
47	Burner cover bracket painted	11518F	1
48	Flue restrictor	11516	1
49	Power cord holder	7845	1
50	Dress guard assy painted (GL = black, SC = satin chrome)	11592GL 11592SC	1
51	Outer frame painted (GL = black, SC = satin chrome)	11592GL 11592SC	1
52	Flue discharge gasket RDV3600	11643	1
53	Fan retrofit kit RDV3600	R3625	
Not shown in exploded diagram			
-	Log set	11600	1
-	Harness wiring main IR control	11657	1
-	Power cord black	6765B	1
-	Cable CAT5 (500 mm IBOF)	10631	1
-	Remote control replacement IR RDV3600	WG0102	1

This diagram is provided to assist you to identify parts if replacement is necessary. Contact your place of purchase or the manufacturer to enquire about parts, availability and/or service.



Ref.	Description	Part No.	Qty.
1	Gas control sigma 845 SIT	10600	1
2	Ignition pack	12760	1
3	Pipe adaptor ½ " BSPT	11589	1
4	Flare connection ½ " male BSPT-½ BSP	11633	1
5	Pilot tube	11525	1
6	Main gas tube assy NZ AU	11527	1
7	Pilot base	11529	1
8	Gasket heat exchanger square (IB300)	10926	1
9	Injector block	11530	1
10	Pilot bracket	11531	1
11	Grommet silicon (2Ø1.8 hole)	10924	1
12	Grommet silicon (Ø4 hole)	10293	2
13	Injector main 3.0 NG	11532	1
13	Injector main 1.7 LPG	11534	1
14	Pilot body top convertible	7870	1
15	Pilot convertible hood two flame	7871	1
16	Electrode	7875	2
17	Electrode nut (SIT)	7876	1
18	Injector pilot NG 62	7795	1
18	Injector pilot LPG 35	7873	1
19	Spacer electrode pilot	7902	1
20	Electrode nut ETR	7900	1
21	Olive 6 mm	7519	2
22	Silicon tube (25 x 9 x 6.4)	11641	1
23	Nut ½ compression	5064	1
24	HT lead SIT control RDV36	11596	1
25	Sensor wire SIT RDV36	11598	1