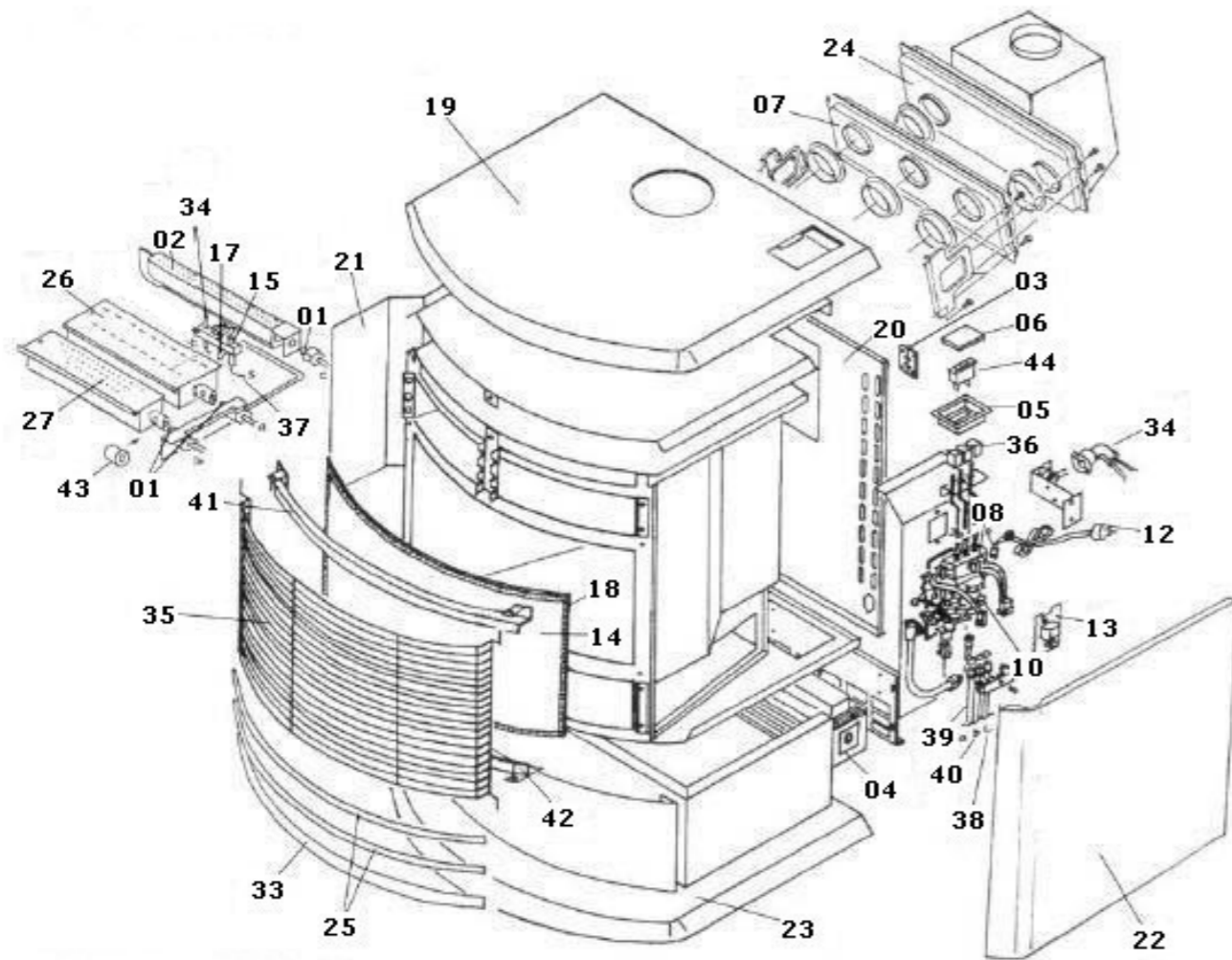


This diagram is provided to assist you to identify parts if replacement is necessary. Contact your place of purchase or the manufacturer to enquire about parts, availability and/or service.



Ref.	Description	Part No.
01	Injector LPG 0.90 rear	5436
01	Injector NG Bray 440 middle	7181
01	Injector LPG 0.80 front	5450
01	Injector NG 1.45 rear	7185
01	Injector NG Bray 200 front	7183
01	Injector LPG Bray 170 middle	7184
02	Rear burner	6384
03	Hinge 5000 1½ black C-C25	7050X1
04	Fan kit	R1903
05	Control box black	7125
06	Control box lid black	7124
06	Control label	7122
07	Front heat exchanger	6620
10	Gas control assembly	4995
12	Power cord	6765B
13	Sparker	6917
14	Glass assembly including seal	4996
15	Electrode	7007
16	Pilot assy. c/w NG injector 0.45	7008
16	Pilot assy. c/w LPG injector	7008L
18	Glass seal	R7010
19	Top panel satin black (viper)	7300V
20	Rear panel satin black	7070V
21	Side panel LH satin black	7018VX1
22	Side panel RH satin black	7019VX1
23	Base panel satin black	7022V
24	Rear heat exchanger	7027
25	Louvre tube 9.5 gold (5)	7029
25	Louvre tube 9.5 silver (5)	R1770-2
25	Louvre tube 9.5 black (5)	7029BN
26	Main burner NG	4970
26	Main burner LPG	4971
27	Front burner	7040

Ref.	Description	Part No.
33	Louvre tube 15.9 silver (1)	R1770-1
33	Louvre tube 15.9 black (1)	7099BN
33	Louvre tube 15.9 gold (1)	7099
34	Thermocouple with overheat sensor	7118
34	Thermocouple clip (2000)	9377
25	Dress guard NZ	R1776
36	Control button	7204
37	Sparker lead	R7205
-	O-ring for gas supply tubes	6642
41	Glass retaining bracket top - black	7033
41	Glass retaining bracket top - silver	7057S
42	Glass retaining bracket bottom - black	7037
42	Glass retaining bracket bottom - silver	7056S
43	Aeration sleeve (NG only)	7258
44	Fan switch (rocker)	7089

Gas supply tube spare part information

In 2004 changes were made to the way in which the gas supply tubes were made. For the FS35 this change occurred on the 23/04/2004, serial number **12673** onwards. If ordering any of the below parts, double check the serial number so the correct part can be ordered.

Ref.	Gas supply tube	Old pre 23/04/2004	New 23/04/2004 onwards
38	Gas supply tube C rear	7209	7782
39	Gas supply tube A middle	7210	7780
40	Gas supply tube B front	7212	7781

This diagram is provided to assist you to identify parts if replacement is necessary. Contact your place of purchase or the manufacturer to enquire about parts, availability and/or service.

Paint information

Touch-up paint

- Silver touch-up paint R1880
- Black touch-up paint R1881

Paint codes for product manufactured at RNZ

- Ameron 5326638 viper satin
- Orica 95483276 old matt black
- Orica Rinnai silver 95496618 current local silver, RAC silver, RA silver
- Rahasia silver SP5182 new silver for local market

(source: R.Large 28/12/04)



Parts not shown in exploded diagrams

Description	Part No.
Control rod	7046
Control rod snap pin	5476
Cord holder	6653
Fan mounting grommet	7129
Fan mounting sleeve	7130
Fan sensor switch, refer image below	6635
Fan switch lead	6656
Flare nut ½	5064
Gas tube retainer	6643
Granules	2544
Inlet elbow	7203
Inlet tube	7259
Log locating sleeve	7240
Log set with granules	7044
Louvre bracket FS top painted	7030
Pillar black	7020V
Pillar front black	7021V
Side panel magnet	7136
Wiring diagram	7052
Wiring harness	7042
Pilot injector NG 0.45 mm	9600
Pilot injector LPG 0.30 mm	7009