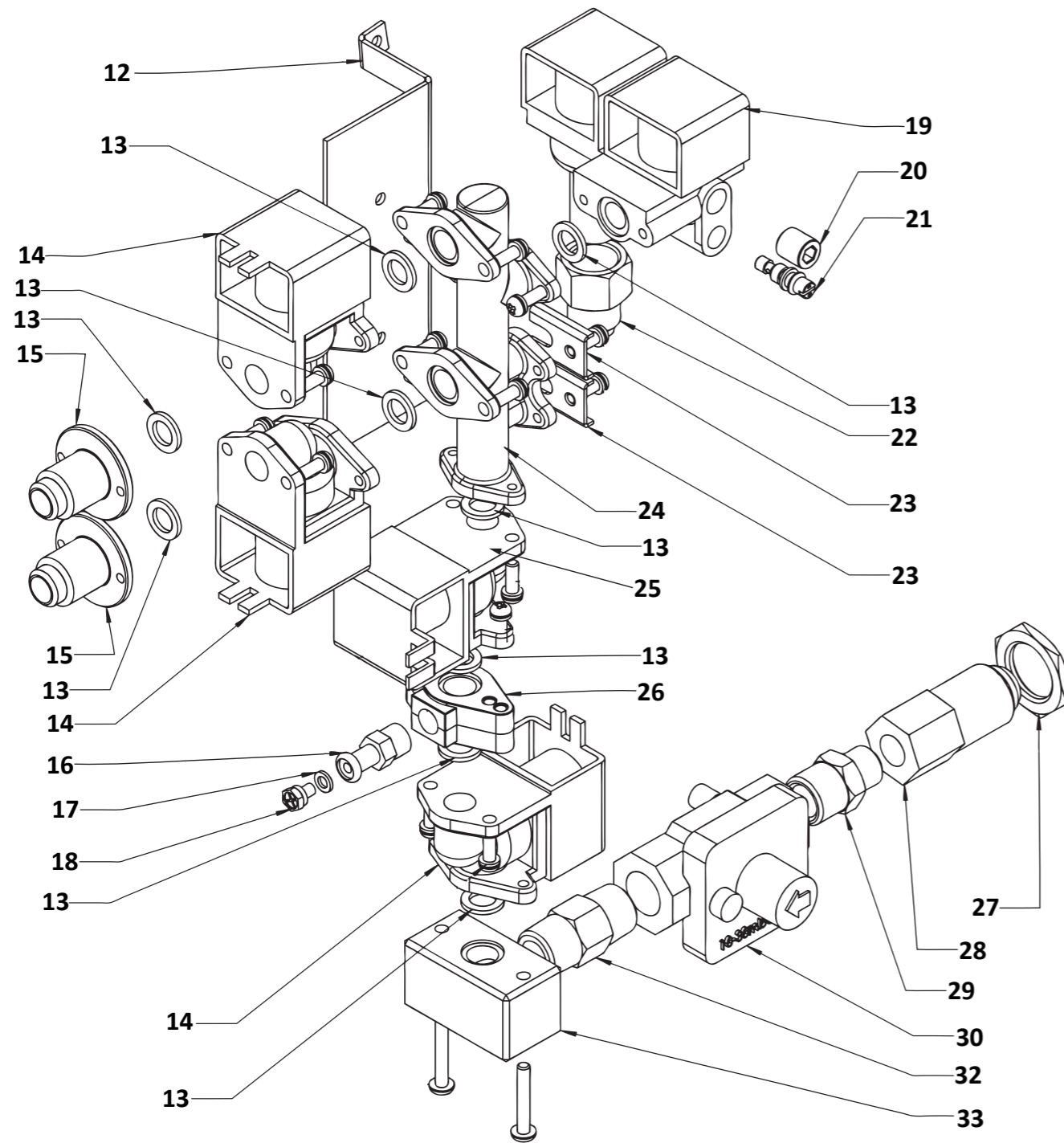


This diagram is provided to assist you to identify parts if replacement is necessary. Contact your place of purchase or the manufacturer to enquire about parts, availability and/or service.

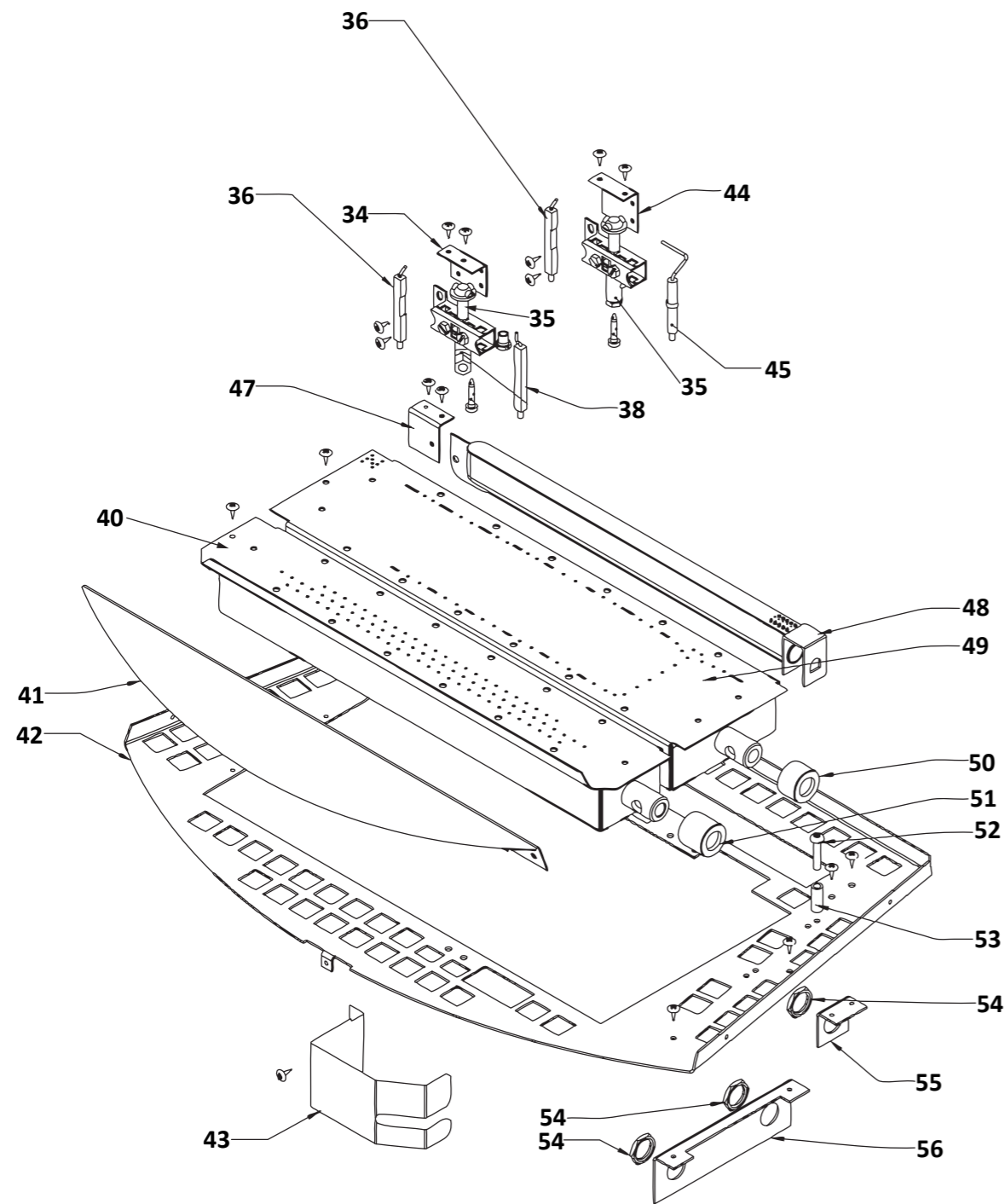
Manifold assembly



Ref.	Description	Qty.	Part No.
12	Manifold mounting bracket	1	7517
13	Packing	9	6121
14	Solenoid	3	7555
15	Manifold tube adaptor	1	7974
16	Pressure test point	1	9992
17	Test point packing	1	9995
18	Test point screw	1	9994
19	Solenoid	1	7560
20	Dryseal plug	1	6243
21	Bypass screw LPG	1	7533
21	Bypass screw NG	1	7529
22	Union body (USA)	1	7973
23	Gas tube retainer	2	6313
24	Manifold ETR	1	7454
25	Solenoid	1	7557
26	Manifold adaptor	1	7455
27	Locknut	1	7165
28	Inlet adaptor	1	7079
29	Red. nipple	1	7525
30	Regulator LPG	1	7633
30	Regualtor NG	1	7632
32	Hex nipple	1	7523
33	Manifold elbow	1	7456

This diagram is provided to assist you to identify parts if replacement is necessary. Contact your place of purchase or the manufacturer to enquire about parts, availability and/or service.

Burner support

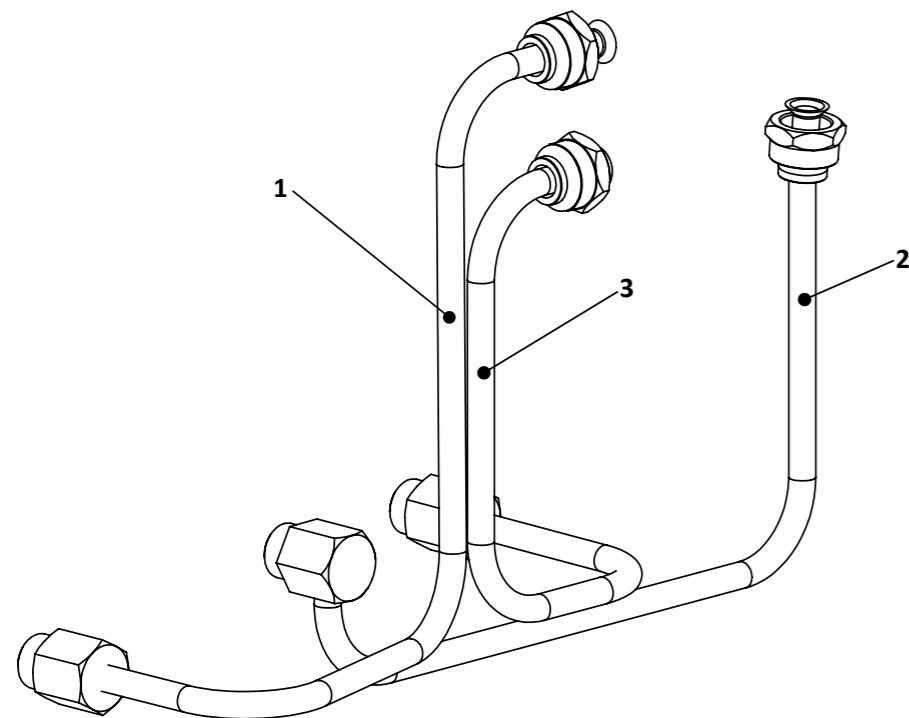


Ref.	Description	Qty.	Part No.
34	Pilot mounting bracket	1	7516
35	Pilot assembly (with injector) LPG 0.30 mm	2	7008L
35	Pilot assembly (with injector) NG 0.45 mm	2	7008
36	Flame rod	2	7520
38	Electrode	1	7521
40	Front burner	1	7040
41	Burner diverter panel	1	7004
42	Burner support	1	7473
43	Pilot shield	1	7518-1
44	Pilot bracket	1	7275
45	Electrode	1	7007
47	Burner bracket	1	7276
48	Rear burner	1	6384
49	Middle burner NG	1	4970
49	Middle burner LPG	1	4971
50	Aeration sleeve (NG model only)	1	7258
51	Aeration sleeve (NG model only)	1	7293
52	Screw	2	9115
53	Log locating sleeve	2	7240
54	Locknut brass	3	5070
55	Injector block bracket rear	1	7791
56	Injector block bracket front MK11	1	7950
	Not mapped		
-	Injector pilot LPG 0.30 mm	-	7009
-	Injector pilot NG 0.45 mm	-	9600

This diagram is provided to assist you to identify parts if replacement is necessary. Contact your place of purchase or the manufacturer to enquire about parts, availability and/or service.

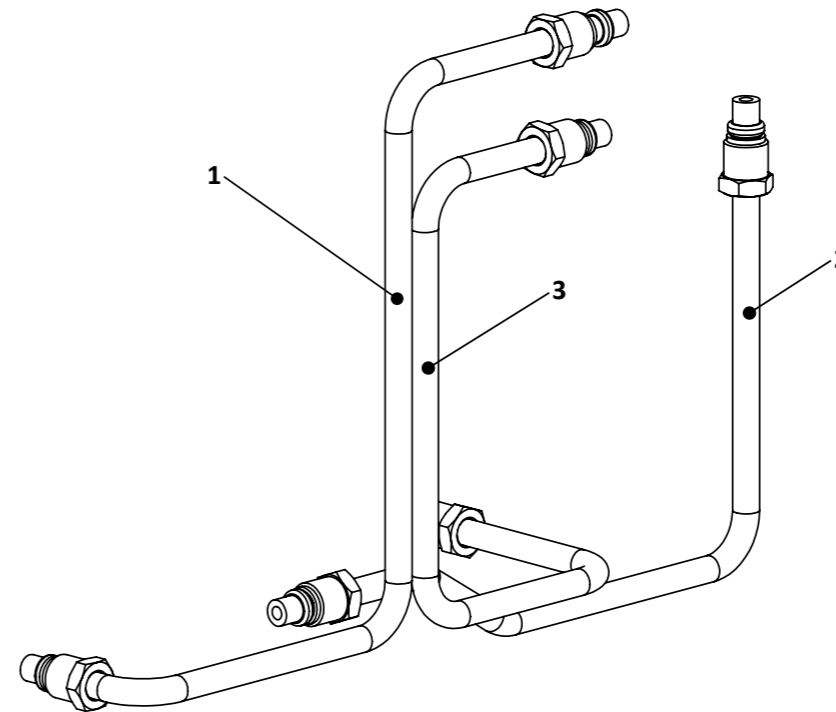
Burner supply tubes

FS35ETR up to 4th May 2004. Serial number: 7198



Ref.	Description	Qty.	Part No.
1	Tube gas supply assembly FS35ETRA	1	7501
2	Tube gas supply assembly FS35ETRB	1	7500
3	Tube gas supply assembly FS35ETRC	1	7502
	Not mapped		
-	O-ring pilot	2	6308
-	Rear pilot tube	1	7524
-	Front pilot tube	1	7522

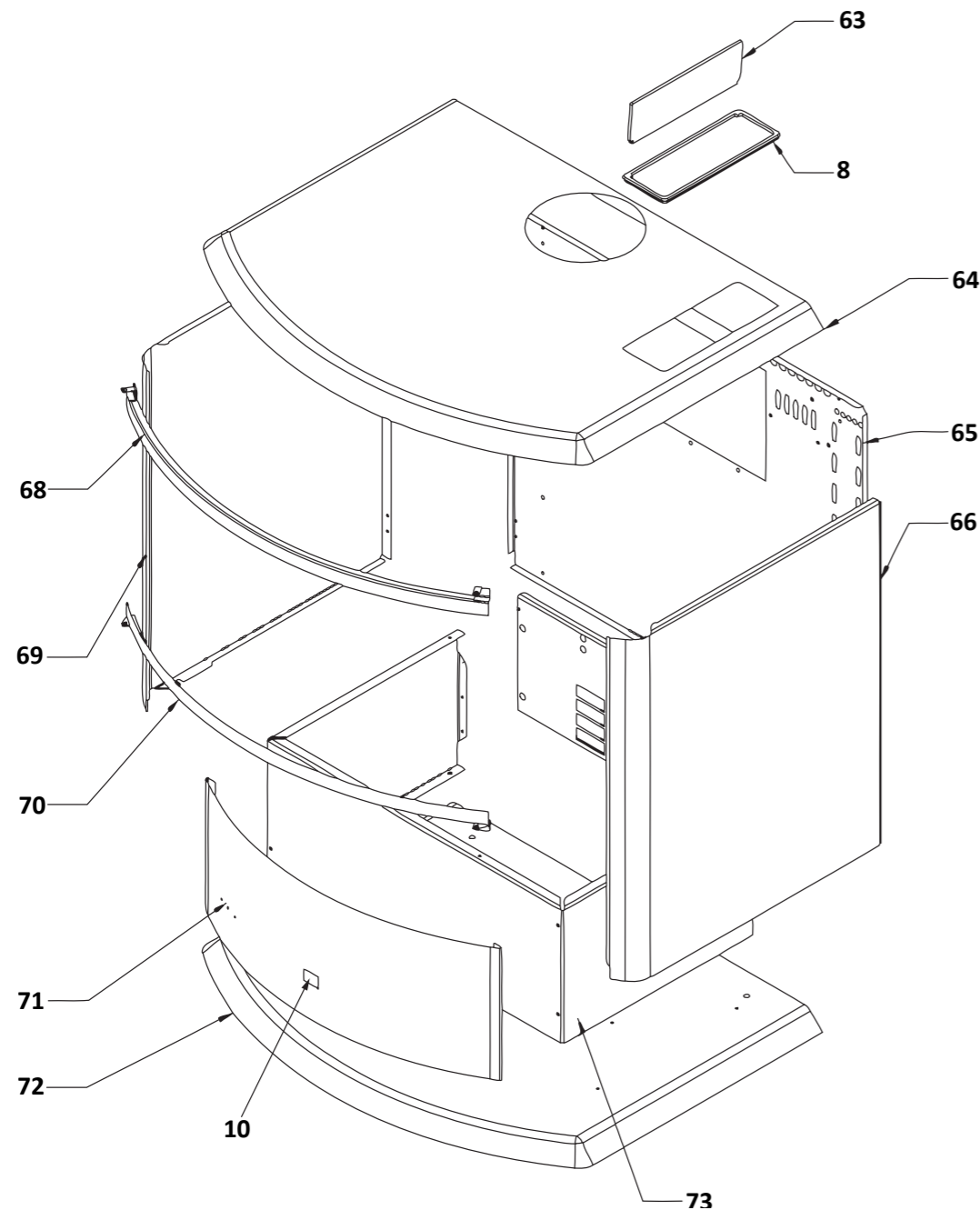
FS35ETR from 5th May 2004. Serial number: 7199



Ref.	Description	Qty.	Part No.
1	Tube gas supply assembly FS35ETRA	1	7929
2	Tube gas supply assembly FS35ETRB	1	7928
3	Tube gas supply assembly FS35ETRC	1	7930
	Not mapped		
-	O-ring pilot	2	6308
-	Rear tube pilot	1	7524
-	Front tube pilot	1	7522

This diagram is provided to assist you to identify parts if replacement is necessary. Contact your place of purchase or the manufacturer to enquire about parts, availability and/or service.

Painted panels



Ref.	Description	Qty.	Part No.
8	Control unit	1	7545
10	Receiver unit	1	7536
63	Control unit lid	1	4985
64	Top panel - satin black (V = viper)	1	7482V
64	Top panel - masque silver	1	7482S
64	Top panel - silver powder coat	1	7482SP
64	Top panel - silver metallic	1	7482SM
65	Rear panel - satin black	1	7470V
65	Rear panel - masque silver	1	7470S
65	Rear panel - silver powder coat	1	7470SP
65	Rear panel - silver metallic	1	7470SM
66	Side panel RH - satin black	1	7019VX1
66	Side panel RH - masque silver	1	7019S
66	Side panel RH - silver powder coat	1	7019SPX1
66	Side panel RH - silver metallic	1	7019SMX1
68	Glass retainer top - black	1	7033
68	Glass retainer top - silver	1	7057S
69	Side panel LH - satin black	1	7018VX1
69	Side panel LH - masque silver	1	7018S
69	Side panel LH - silver powder coat	1	7018SPX1
69	Side panel LH - silver metallic	1	7018SMX1
70	Glass retainer bottom - black	1	7037
70	Glass retainer bottom - silver	1	7056S

Ref.	Description	Qty.	Part No.
71	Pillar front - satin black	1	7471V
71	Pillar front - masque silver	1	7471S
71	Pillar front - silver powder coat	1	7471SP
71	Pillar front - silver metallic	1	7471SM
72	Base - satin black	1	7022V
72	Base - masque silver	1	7022S
72	Base - silver powder coat	1	7022SP
72	Base - silver metallic	1	7022SM
73	Pillar - satin black	1	7020V
73	Pillar - masque silver	1	7020S
73	Pillar - silver powder coat	1	7020SP
73	Pillar - silver metallic	1	7020SM

Silver paint codes

Masque silver = old silver
 Silver powder coat = new silver
 Silver metallic = new new silver

Touchup paint

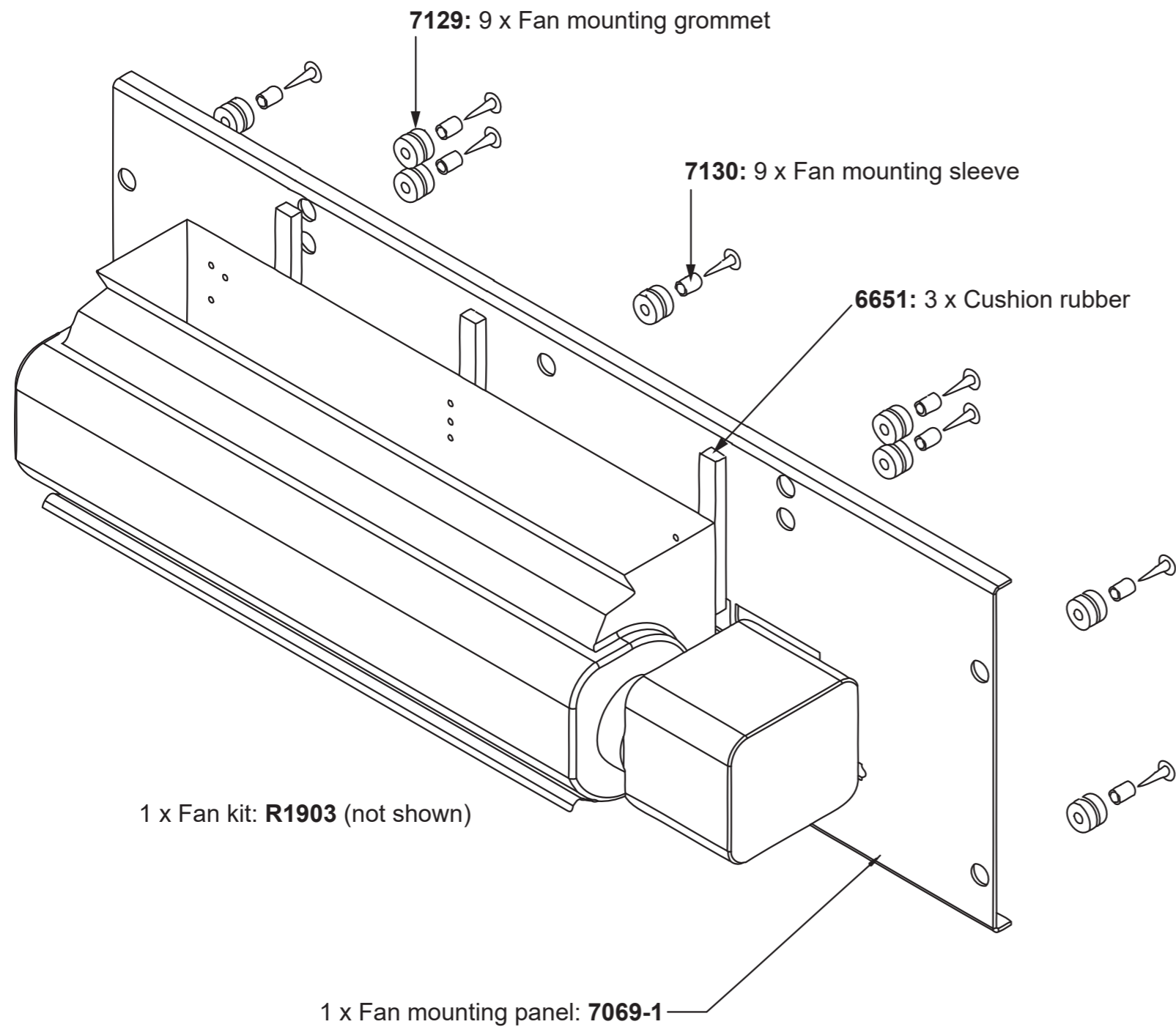
Silver = R1880
 Satin black = R1881

Paint information

Viper satin = Ameron 5326638
 Black metallic = Orica 95483276 (old matt black)
 Rinnai silver = Orica 95496618 (old silver, export silver)
 Rahasia silver = SP5182 (new silver for local market)

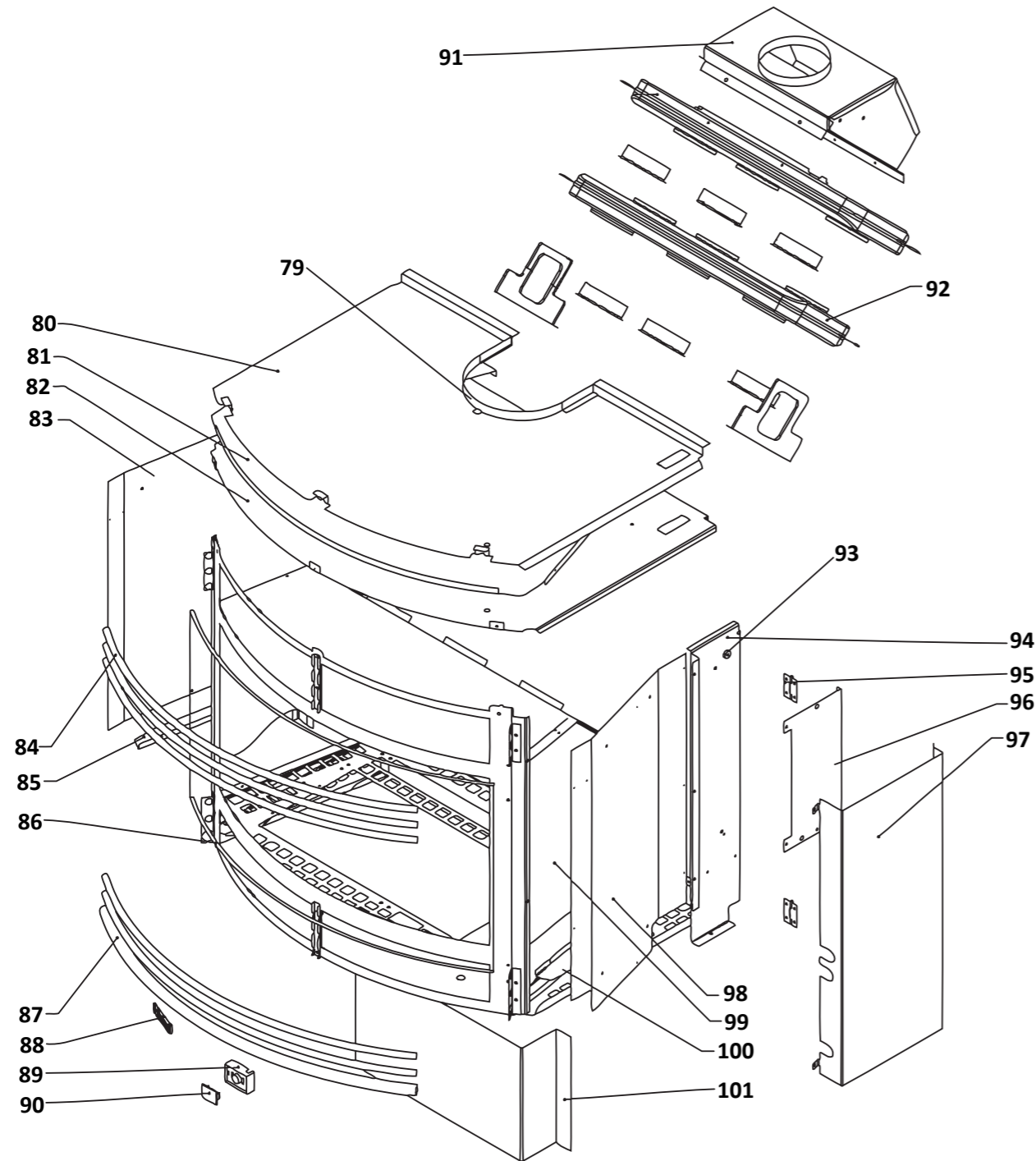
This diagram is provided to assist you to identify parts if replacement is necessary. Contact your place of purchase or the manufacturer to enquire about parts, availability and/or service.

Fan components



This diagram is provided to assist you to identify parts if replacement is necessary. Contact your place of purchase or the manufacturer to enquire about parts, availability and/or service.

Outer panels and trims



Ref.	Description	Qty.	Part No.
79	Flue shroud	1	7486
80	Top heat shield	1	7484
81	Air guide lower	1	7472-1
82	Air guide	1	7491
83	Heat shield LH	1	7509
84	Louvre tube gold	5	7029
85	Heat shield lower LH	1	7060
86	Glass assembly (glass + seal tape)	1	4996
-	Glass seal replacement tape kit	1	R7010
87	Louvre tube	1	7099
88	Rinnai badge	1	5327G
89	Receiver unit holder	1	7537
90	Receiver cover	1	7539
91	Flue spigot	1	7028-1
92	3-hole heat exchanger	1	Not available
93	Hank bush	3	9188
94	Partition panel	1	7513
95	Hinge (black)	4	7050X1
96	PCB mounting bracket	1	7507-1
97	Wiring cover	1	7512
98	Heat shield RH	1	7508
99	Combustion chamber assembly	1	7469
100	Heat shield lower RH	1	7062
101	Fan inlet guide	1	7063
Not mapped			
-	Louvre bracket FS top painted	2	7030
-	Log set c/w granules	1	7044
-	Side panel magnet	2	7136
-	Dress guard NZ	1	R1776
-	Flexitube replacement kit	1	4988

This diagram is provided to assist you to identify parts if replacement is necessary. Contact your place of purchase or the manufacturer to enquire about parts, availability and/or service.

Electrical components and other

Description	Qty.	Part No.
Thermal fuse	1	7553
Thermistor OH switch	1	7549
Transformer	1	7543
Sparker	1	7542
PCB	1	7544
Remote control (Please note: CR2025 cell battery not included)	1	13100
Universal high tension lead	1	R7205
Flame rod harness	1	10306
Test harness ETR (not a spare but used for testing flame rod current)	1	9900
Harness transformer	1	7631
Harness MVL fan with earth	1	10300
Main harness	1	10302
Power cord uni control black	1	13042
Harness PCB to control	1	7551
Other		
Earthing screw	2	9143
Screw M4 x 15	2	9160
Screw M4 x 8	2	9064
Screw M4 x 10	8	9068
Injector block A + B	1	7952
Injector block A + C	2	7953