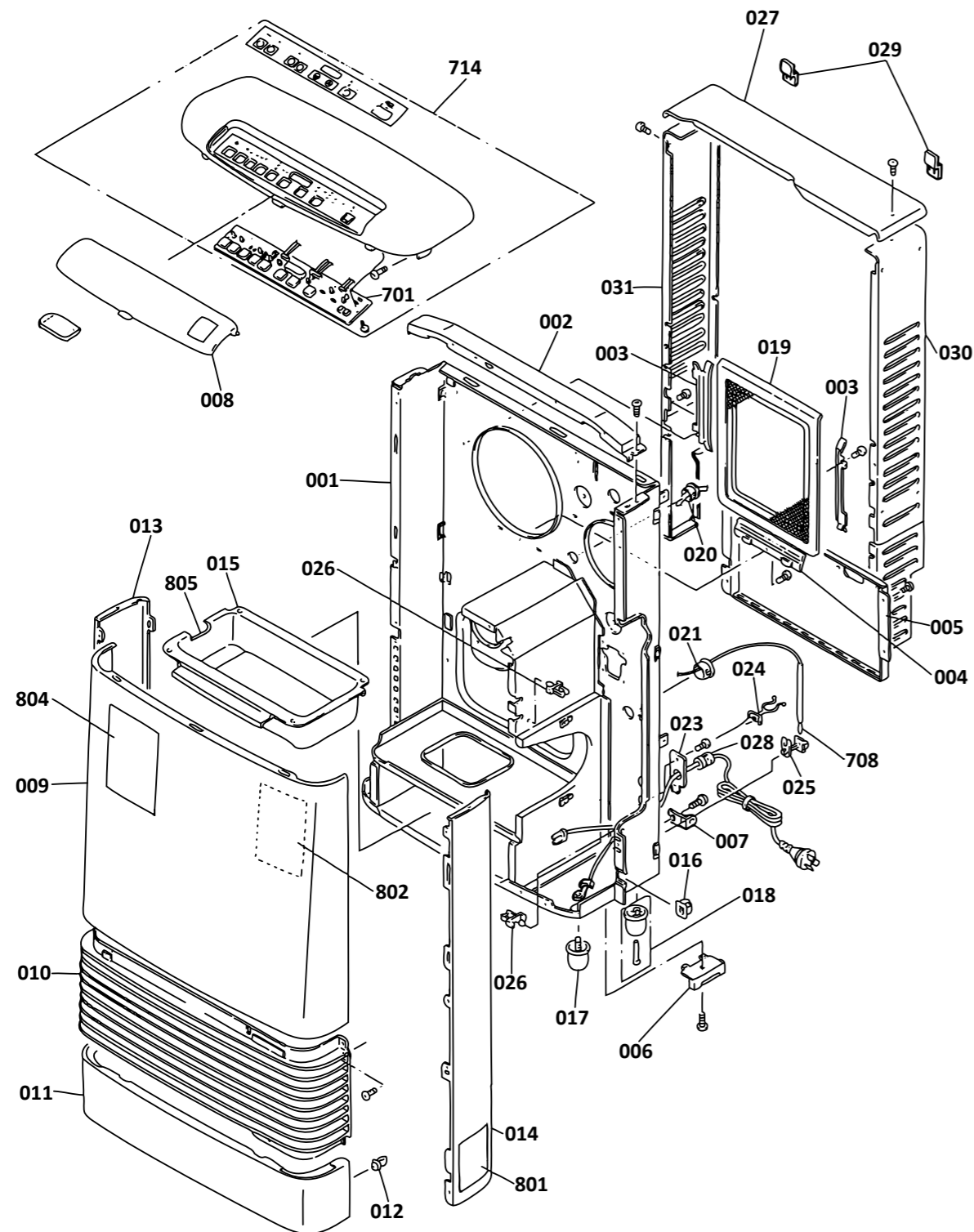


Energysaver 308FTR heater

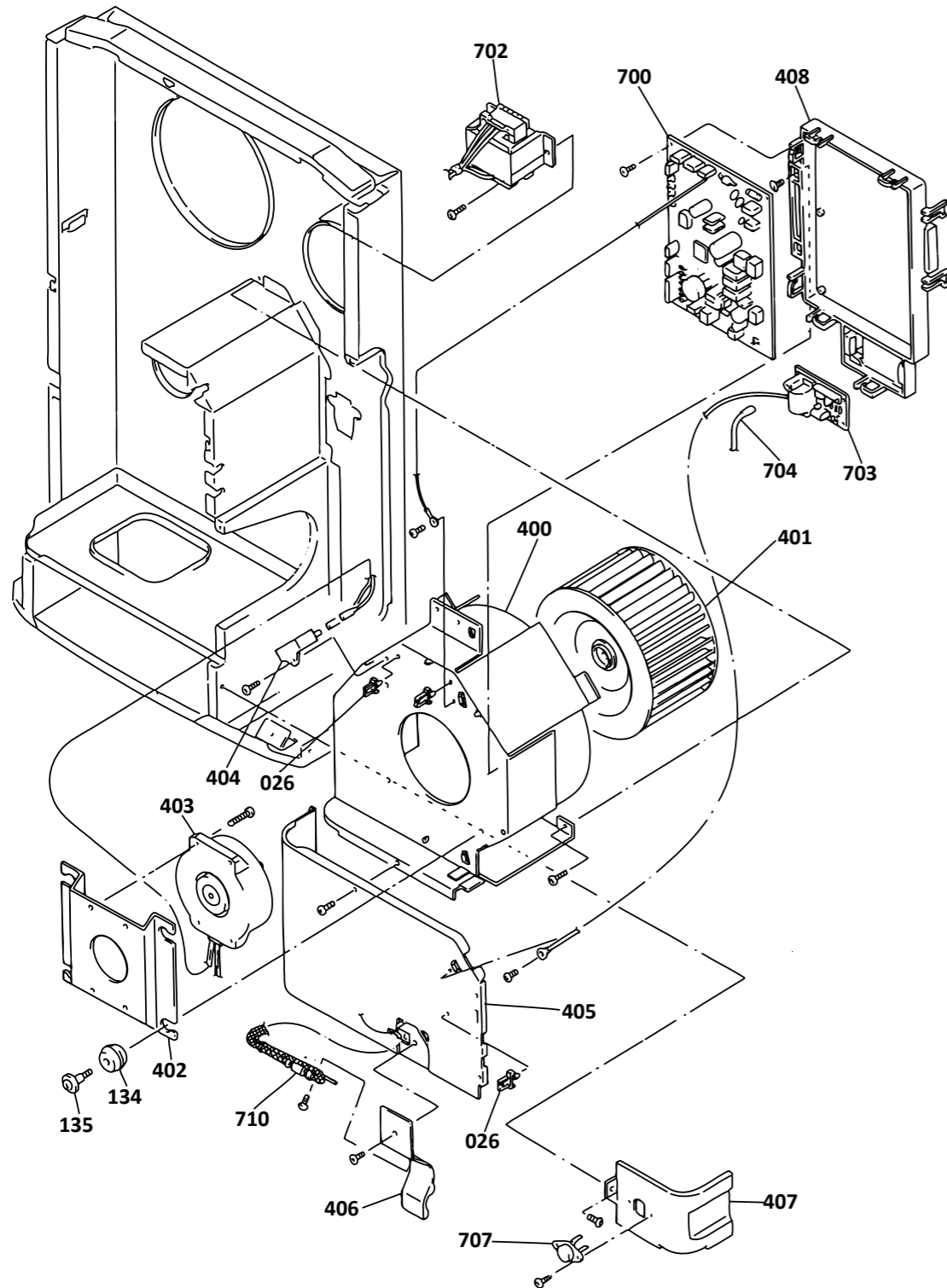
This diagram is provided to assist you to identify parts if replacement is necessary. Contact your place of purchase or the manufacturer to enquire about parts, availability and/or service.



Ref.	Description	Qty.	Part No.
001	Rear panel assembly A	1	Not available
002	Top panel support	1	Not available
003	Filter clip - side	2	Not available
004	Filter clip	1	Not available
005	Rear panel heat shield	1	Not available
006	Floor mounting bracket	2	3541
007	Back spacer bracket	2	3542
008	Control cover assembly	1	3545
009	Front panel B	1	3546
010	Louvre assembly	1	3547
011	Bottom trim assembly B	1	3548
012	Strike	2	3038
013	Side panel B LH	1	3549
014	Side panel B RH	1	3553
015	Humidifier tray	1	3554
016	Latch	2	3028
017	Front foot	2	3403
018	Foot	2	3405
019	Air filter assembly B	1	3576
020	Bush	1	Not available
021	Bush	1	Not available
023	Electrical cord fixing plate	1	Not available
024	Cable clip	2	6698
025	Thermistor holder	1	4252
026	Wiring clip	1	2043
027	Back spacer top B	1	3577
028	Cord bush	1	2048
029	Clip	2	6684
030	Back spacer RH assembly	1	3578
031	Back spacer LH assembly	1	3579
701	Control panel PCB assembly	1	4394
708	Room temperature & overheat thermistor assembly	1	4386
714	Top panel assembly	1	4397
801	Data plate	1	Not available
802	Wiring diagram	1	Not available

Energysaver 308FTR heater

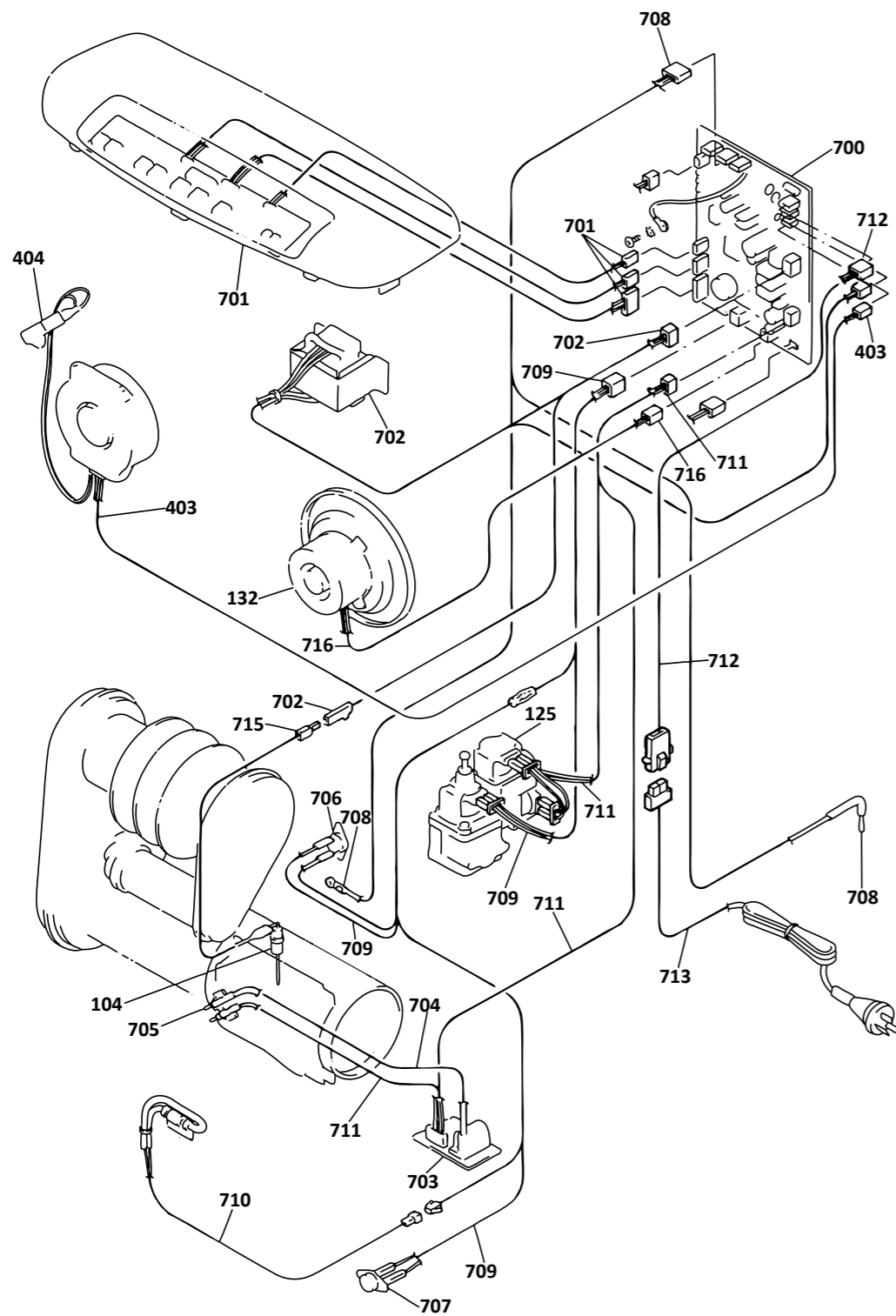
This diagram is provided to assist you to identify parts if replacement is necessary. Contact your place of purchase or the manufacturer to enquire about parts, availability and/or service.



Ref.	Description	Qty.	Part No.
026	Wiring clip	2	2043
134	Mounting rubber	7	4364
135	Motor fixing screw	3	Not available
400	Convection fan casing assembly	1	Not available
401	Sirroco fan assembly	1	4391
402	Fan motor base	1	Not available
403	Convection fan motor and harness	1	4392
404	Capacitor	1	3107
405	Heat shield	1	Not available
406	Thermal fuse fixing panel	1	Not available
407	OHS 2 mounting bracket	1	Not available
408	PCB mounting bracket	1	Not available
700	PCB	1	4393
702	Transformer	1	3116
703	Sparker	1	2958
704	High tension cord assembly B	1	4383
707	Overheat switch 90 oC	1	4384
710	Thermal fuse harness	1	4395

Energysaver 308FTR heater

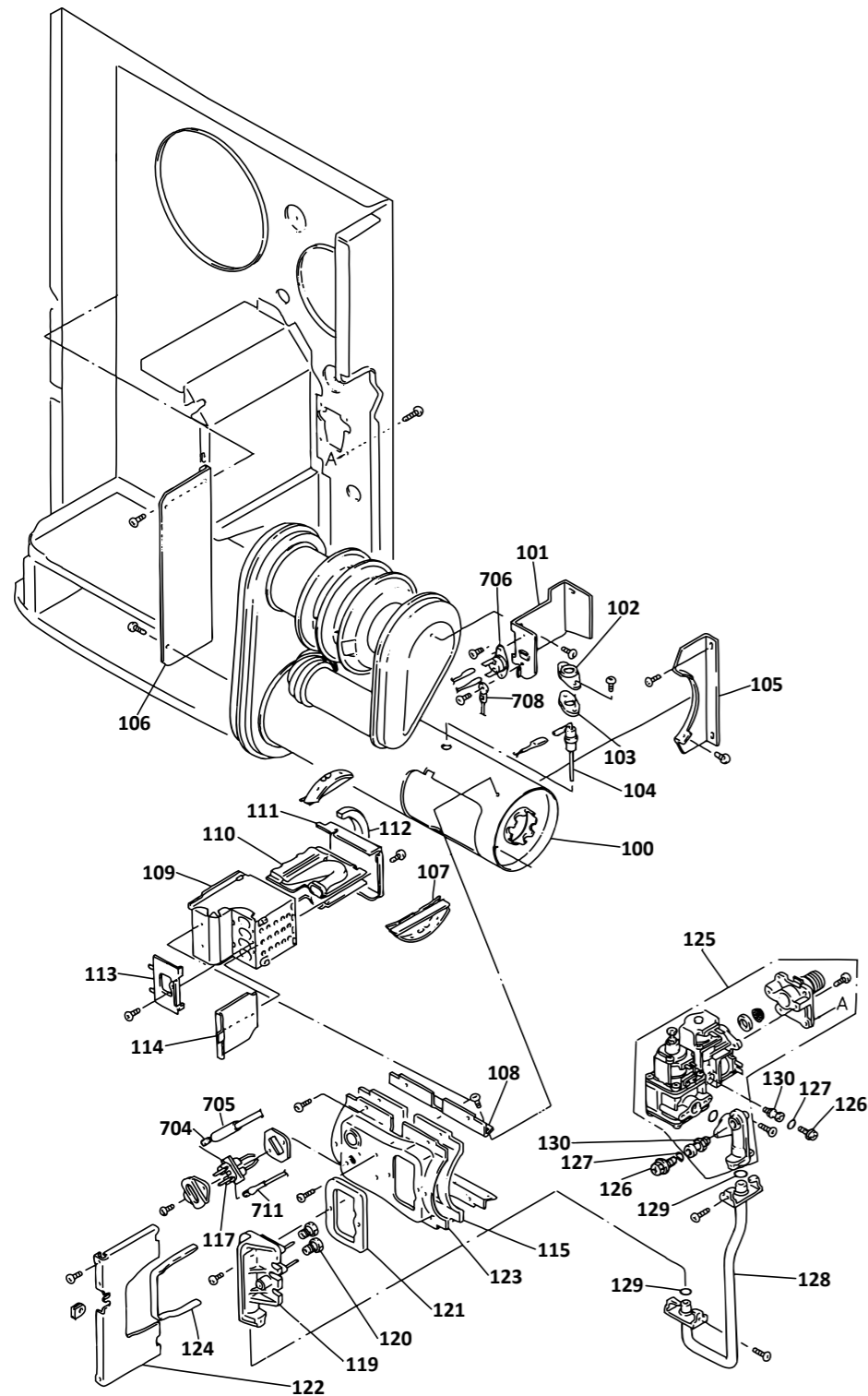
This diagram is provided to assist you to identify parts if replacement is necessary. Contact your place of purchase or the manufacturer to enquire about parts, availability and/or service.



Ref.	Description	Qty.	Part No.
104	Flame rod	1	4299
125	Gas control assembly A LPG	1	3595
125	Gas control assembly C NG	1	3596
132	Combustion fan complete assembly	1	3995
403	Convection fan motor harness	1	4392
404	Capacitor	1	3107
700	PCB	1	4393
701	Control panel PCB assembly	1	4394
702	Transformer	1	3116
703	Sparker	1	2958
704	High tension cord assembly B	1	4383
705	Electrode sleeve	1	3395
706	Overheat switch 130 °C	1	4385
707	Overheat switch 90 °C	1	4384
708	Room temperature & overheat thermistor assembly	1	4386
709	Solenoid valve harness	1	4389
710	Thermal fuse harness	1	4395
711	Main harness assembly	1	4387
712	Electrical cord assembly	1	4396
713	Power cord assembly	1	3115
715	Flame rod lead	1	4398
716	Combustion motor harness A	1	4399

Energysaver 308FTR heater

This diagram is provided to assist you to identify parts if replacement is necessary. Contact your place of purchase or the manufacturer to enquire about parts, availability and/or service.

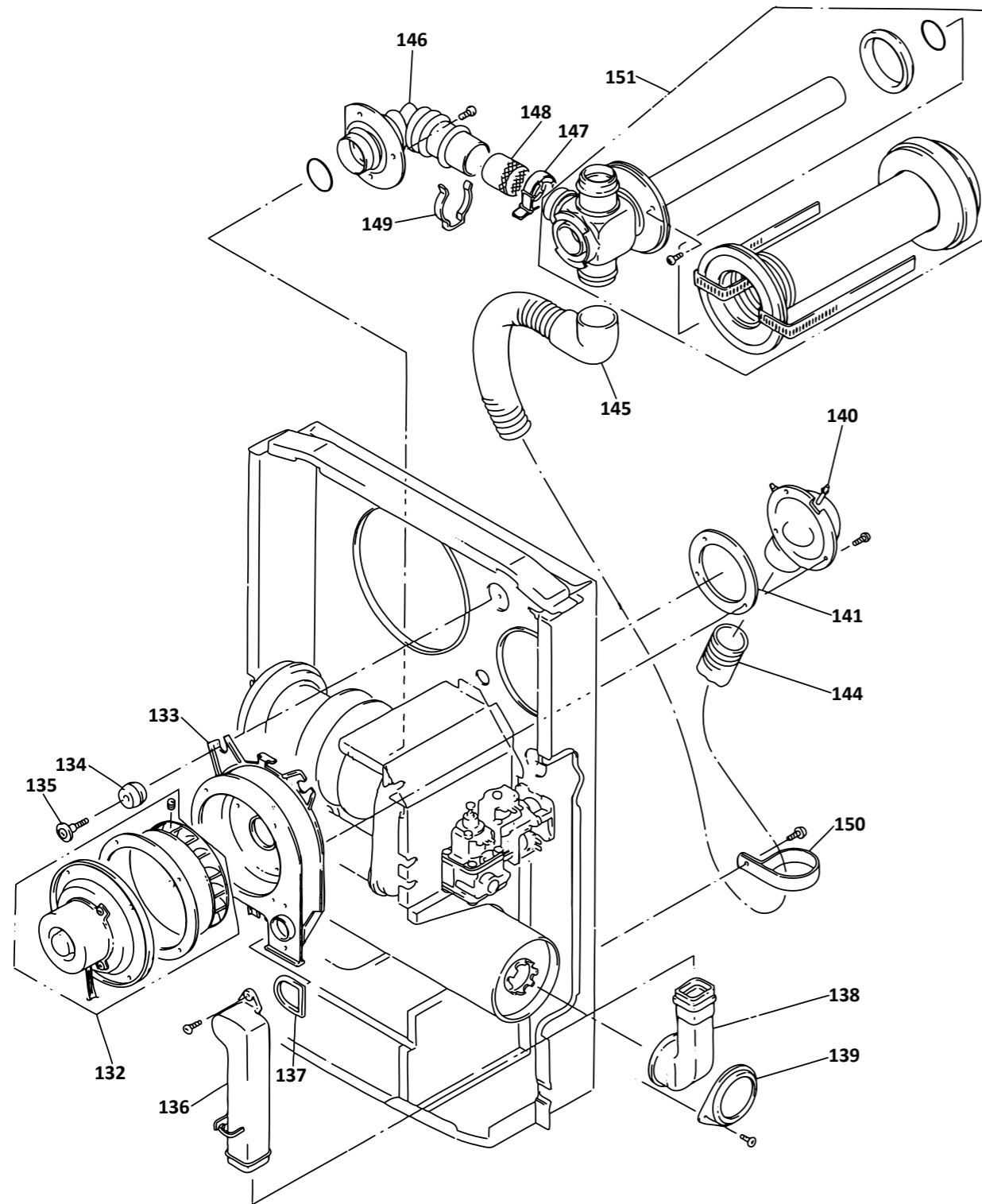


Ref.	Description	Qty.	Part No.
100	Heat exchanger assembly	1	3580
101	OHS bracket	1	Not available
102	Flame rod bracket	1	Not available
103	Flame rod packing	1	3069
104	Flame rod	1	4299
105	Combustion chamber fixing bracket	1	Not available
106	Heat exchanger bracket	1	Not available
107	Sealing bracket assembly	2	Not available
108	Flange	2	Not available
109	Burner box assembly	1	Not available
110	Burner assembly	1	3091
111	Burner clip assembly	1	Not available
112	Burner box packing	1	4231
113	Primary air damper LPG	1	3588
113	Primary air damper NG	1	3592
114	Secondary air damper LPG	1	3593
114	Secondary air damper NG	1	3594
115	Fixing plate packing	1	Not available
117	Electrode kit	1	R1346
119	Injector manifold	1	Not available
120	Main injector NG	2	2394
120	Main injector LPG	2	2393
121	Manifold packing	1	3094
122	Warm air sealing bracket	1	Not available

Ref.	Description	Qty.	Part No.
123	Burner box mounting plate assy.	1	Not available
124	Heat exchanger packing B	1	4306
125	Gas control assembly A LPG	1	3595
125	Gas control assembly C NG	1	3596
126	Pressure test point screw	3	Not available
127	O-ring	3	2239
128	Gas supply connection tube assy.	1	3856
129	O-ring	2	2389
130	Pressure test point	2	4204
704	High tension cord assembly B	1	4383
706	Overheat switch 130 oC	1	4385
711	Main harness assembly	1	4387

Energysaver 308FTR heater

This diagram is provided to assist you to identify parts if replacement is necessary. Contact your place of purchase or the manufacturer to enquire about parts, availability and/or service.



Ref.	Description	Qty.	Part No.
132	Combustion fan assembly	1	3995
133	Combustion fan casing assembly	1	Not available
134	Mounting rubber	7	4364
135	Motor fixing screw	3	Not available
136	Combustion chamber connection tube top	1	3996
137	Connection tube packing	1	3997
138	Combustion chamber connection tube bottom	1	3998
139	Rubber connection tube clip	1	3103
140	Air inlet C	1	4367
141	Air inlet packing	1	4053
144	Flexible intake hose	1	4041
145	Air inlet elbow	1	4040
146	Flue elbow assembly	1	3999
147	Stopper clip assembly	1	3455
148	Elbow cover	1	2972
149	Ring	1	4171
150	Clamp	2	4373
151	Mushroom flue A (115-240 mm)	1	R1351

Not shown in exploded diagram

-	Surge arrestor	1	3212
-	Harness surge arrestor 2001	1	3213
-	Installation kit	1	3112

Flueing related

-	Fixing strap	1	9830
-	Spiral spacer	1	9833
-	Plastic condensate tube	1	9835
-	Transition box manifold assy. (thru-wall flue only)	1	1004
-	Transition box manifold assy. (in-wall flue only)	1	1003
-	Header plate top flue support (in-wall flue only)	1	9831
-	Vertical flue cowl Voumard (in-wall and thru-wall flue only)	1	3232
-	Appliance flue joiner clip (in-wall flue only)	1	9834
-	O-ring (for ESPIPE900 & ESDFK)	1	4350
-	Spacer (for ESPIPE900 & ESDFK)	1	4351