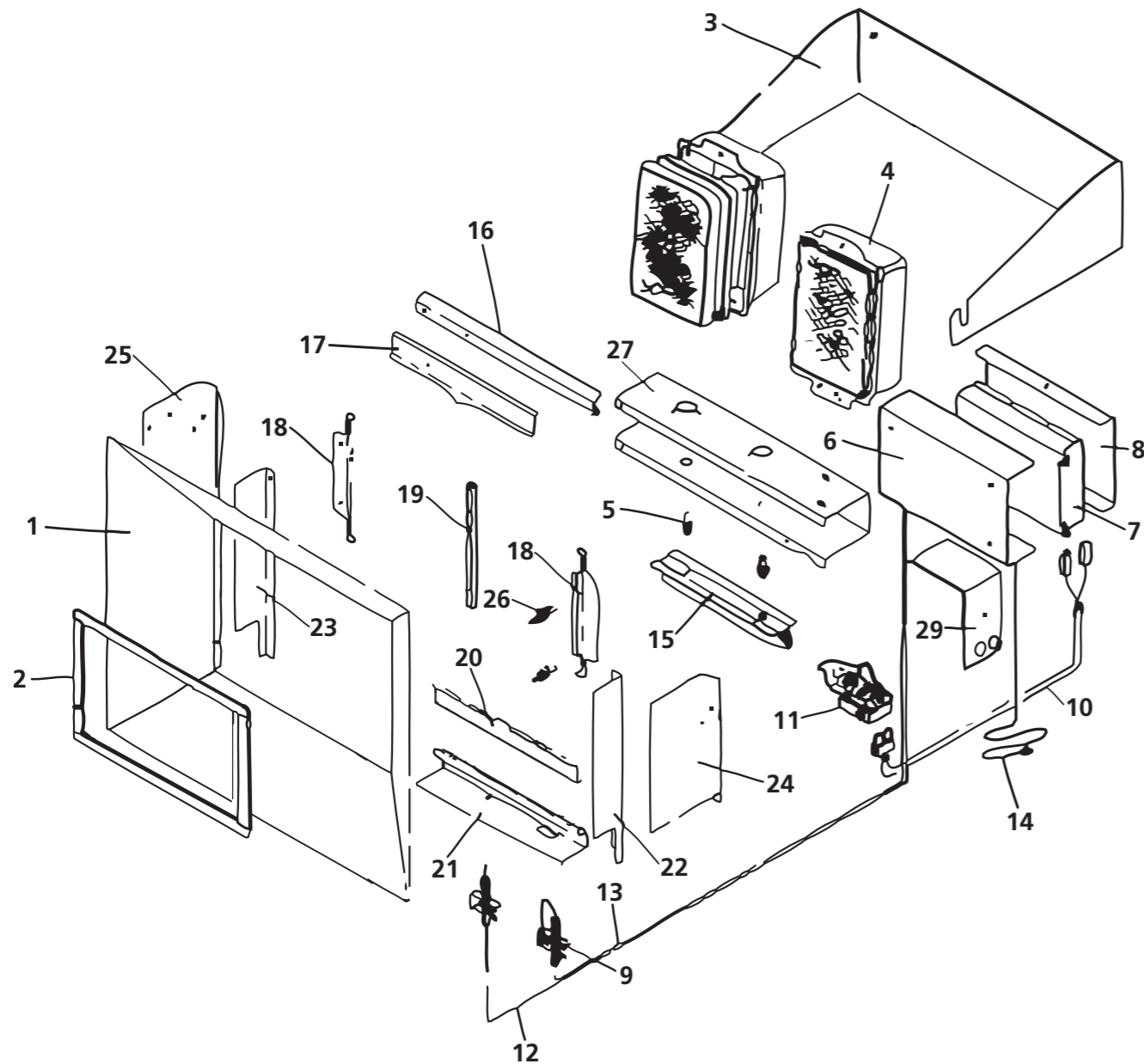


Super Ray Indoor Electronic Heaters (WEA 16, 24, 40, 48)

This diagram is provided to assist you to identify parts if replacement is necessary. Contact your place of purchase or the manufacturer to enquire about parts, availability and/or service.



Ref.	Description	WEA 16.	WEA 24	WEA 40	WEA 48
1	Reflector	6036	6037	6038	6039
2	Economiser screen assembly (incl. split pins)	1512	1513	1523	1524
3	Wall mounting bracket	6040	6041	6042	6043
4	Burner assembly	1514 x 2	1514 x 3	1514 x 5	1514 x 6
4	Burner plaque	6016 x 2	6016 x 3	6016 x 5	6016 x 6
4	Burner body	6015 x 2	6015 x 3	6015 x 5	6015 x 6
4	Burner packing	6017 x 2	6017 x 3	6017 x 5	6017 x 6
5	Injector NG 1.30	5452 x 2	5452 x 3	5452 x 5	5452 x 6
5	Injector LPG 0.80	5450 x 2	5450 x 3	5450 x 5	5450 x 6
6	Ignition box mounting bracket	6056	6056	6056	6056
7	Ignition box (blue) PF 15R (serial #: up to 27048)	5128	5128	5128	5128
7	Ignition kit 501 EFD (serial #: 27049-27922)	5285	5285	5285	5285
7	Ignition kit Brahma CE 11U (serial #: 27923-onwards)	5281	5281	5281	5281
8	Control box cover	6058	6058	6058	6058
9	Electrode assembly (remove striker for flame rod)	5054 x 2	5054 x 2	5054 x 2	5054 x 2
10	Wiring harness	5098	5098	5098	5098
11	Solenoid	5093	5093	5093	5094
12	Wire sensor	6032	6032	6013	6013
13	Wire sparker	5142	5142	5142	5142
14	Power cord for serial numbers 27922 and below	5129	5129	5129	5129
14	Power cord for serial numbers 27923 and above	6765B	6765B	6765B	6765B
15	Manifold NG/LPG	5176	5178	5180	5184
16	Top burner frame	5196	5200	5198	5199
17	Top plaque retainer	5202	6021	5203	5204
18	Side plaque retainer	6019 x 2	6019 x 2	6019 x 2	6019 x 2
19	Burner partition panel	6018 x 1	6018 x 2	6018 x 4	6018 x 5
20	Bottom plaque retainer	6044	6045	6046	6047
21	Cross lighting bracket	5185	5186	5187	5188
22	Side burner frame RH	5191	5191	5191	5191
23	Side burner frame LH	5189	5189	5189	5189
24	Side bracket RH	5206	5206	5206	5206
25	Side bracket LH	5205	5205	5205	5205
26	Economiser screen pin	6034 x 4	6034 x 4	6034 x 6	6034 x 6
27	Burner frame	6048	6049	6050	6051
29	Control retainer bracket	6071	6071	6071	6071
-	Flare nut ½ NG	5064	5064	5064	5064
-	Flare nut ¾ LPG	5030	5030	5030	5030
-	Ignition earth wire	5134	5134	5134	5134
-	Power cord grommet	5550	5550	5550	5550