



Rinnai New Zealand Limited
691 Mt Albert Road
Royal Oak, Auckland

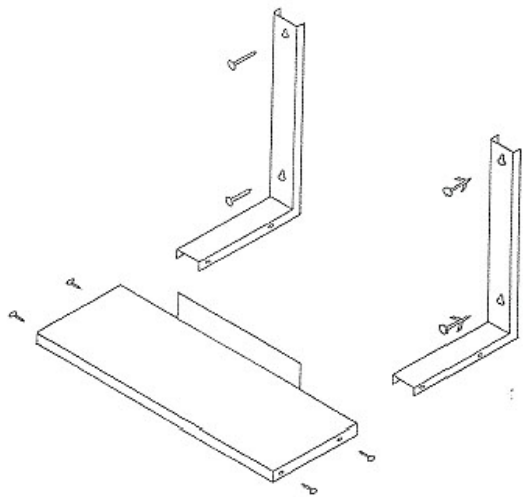
PO Box 24068, Royal Oak
Telephone: 09 625 4285
Facsimile: 09 624 3018

www.rinnai.co.nz

WALL MOUNT BRACKET KIT (unflued)

The Rinnai Wall Mount Kit has been designed to be used with the following Rinnai Has Heater models:

- RCE 506, 516, 516TR
- RCE 417
- REH 151, 181, 121, 252

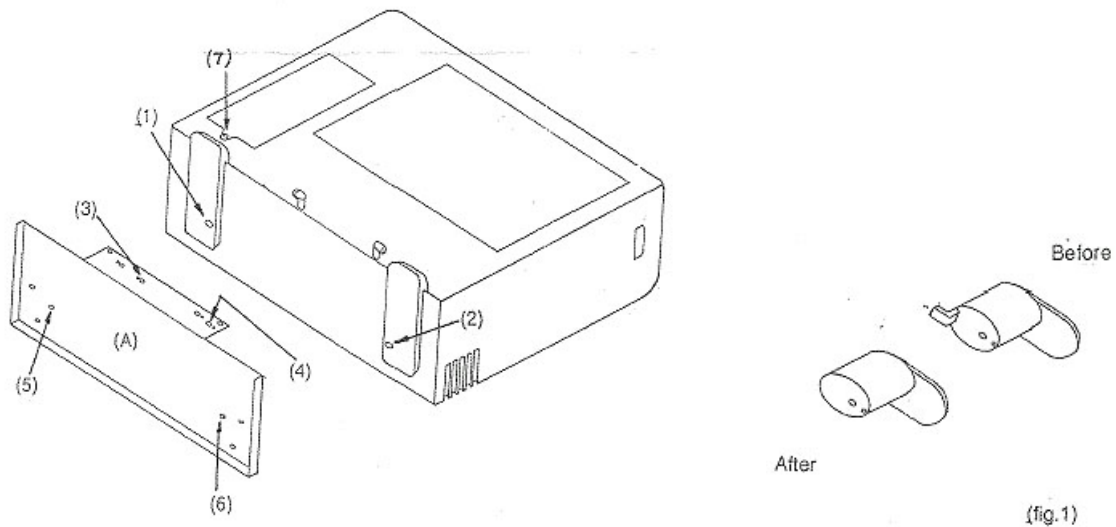


COMPONENTS	QTY
(A) Base	1
(B) Wall Brackets	2
(C) Screws #8 x 3/8"	8
Black model - 4 black	
- 4 silver	
(D) Screws (#8 x 1")	2
(E) Screws (#10 x 2")	4
(F) Wall Plugs	4
(G) Spring Toggles	2
(H) Captive Nuts	2

ASSEMBLY INSTRUCTIONS

1. Unpack the components and identify using diagram above
2. Attach wall brackets (B) to each side of the base (A) using screws (C)
Note: Black model uses black screws
3. Position bracket assembly against wall ensuring that at least one bracket is aligned with a wall stud (base should be a minimum of 100mm from the floor)
4. Ensuring that the unit is level, mark hole positions on wall at top of key slots
5. Drill holes in wall.
 - for masonry wall use screws (E) and wall plugs (F) drill diameter 8mm
 - for plaster walls use screws 9E) into wall stud drill diameter 2.5mm and spring toggles drill diameter 15mm
6. Fix wall brackets to wall
7. Unscrew base (A) from the wall brackets (B) and refer to relevant page for the model heater being installed

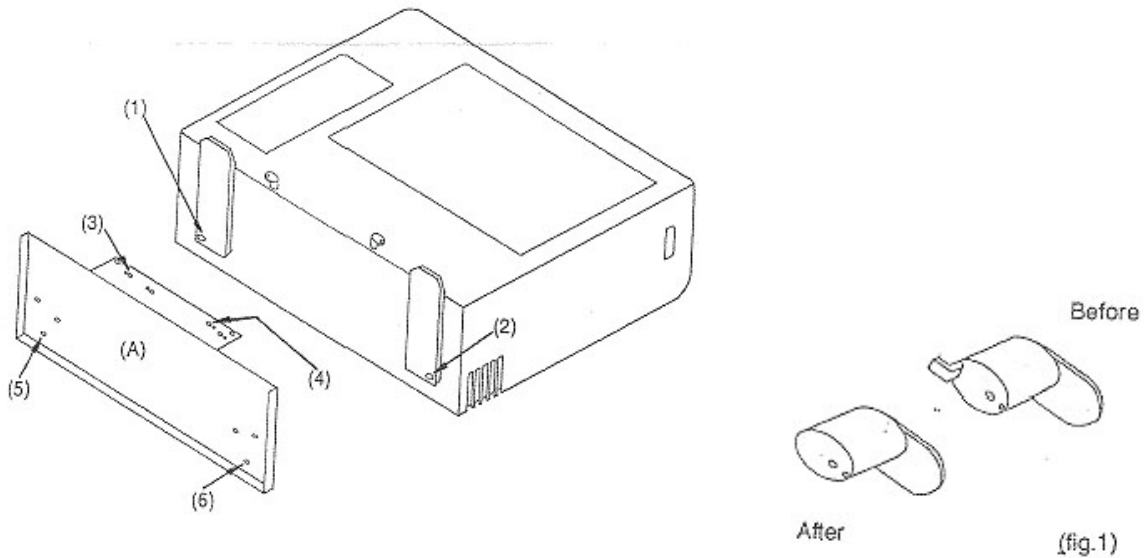
Heater Model RCE 506, RCE 516, RCE 516TR



ASSEMBLY INSTRUCTIONS

1. Lay the heater on its front as shown above
2. Remove screws (1) and (2) from base of heater and (7) from air filter
3. Unscrew power cord holders and remove tabs with knife or cutters as shown in (fig.1)
4. Locate base (A) in position as well as power cord holders and attach with screws in holes (3) and (4) to back of heater
5. Place screws (D) in holes (5) and (6) to attach base to bottom of heater
6. The completed heater and base assembly can now be screwed onto wall brackets with screws (C)

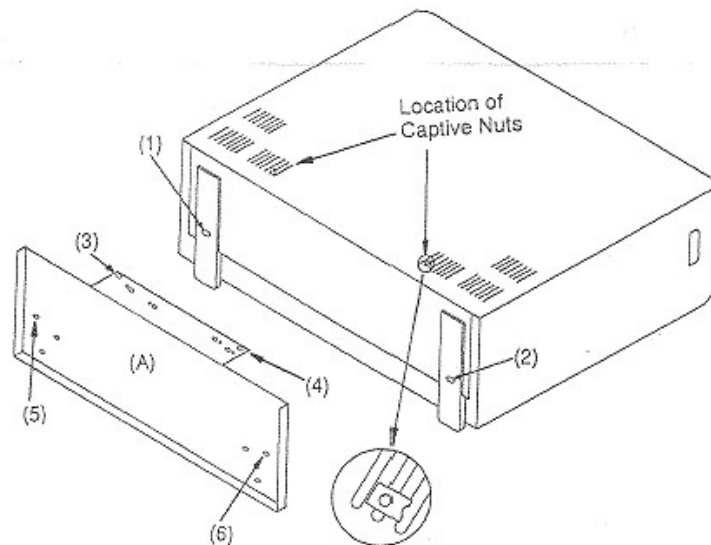
Heater Model RCE 417



ASSEMBLY INSTRUCTIONS

1. Lay the heater on its front as shown above
2. Remove screws (1) and (2) from base of heater
3. Unscrew power cord holder and remove tabs with knife or cutters as shown in (fig.1)
4. Locate base (A) in position as well as power cord holders and attach screws in holes (3) and (4) to back of heater
5. Place screws (D) in holes (5) & (6) to attach base to bottom of heater
6. The completed heater / base assembly can now be screwed onto wall brackets with screws (C)

Heater Models REH 151, REH 181, REH 252



ASSEMBLY INSTRUCTIONS

1. Lay the heater on its front as shown
2. Remove screws (1) and (2) from base of heater
3. Remove feet from base of heater
4. Locate captive nuts in the air slots as shown above
5. Locate base (A) in position and attach with screws (C) in holes (3) and (4) to the back holes (5) and (6) to bottom of heater
6. The completed heater and base assembly can now be screwed onto the wall brackets with screws (C)