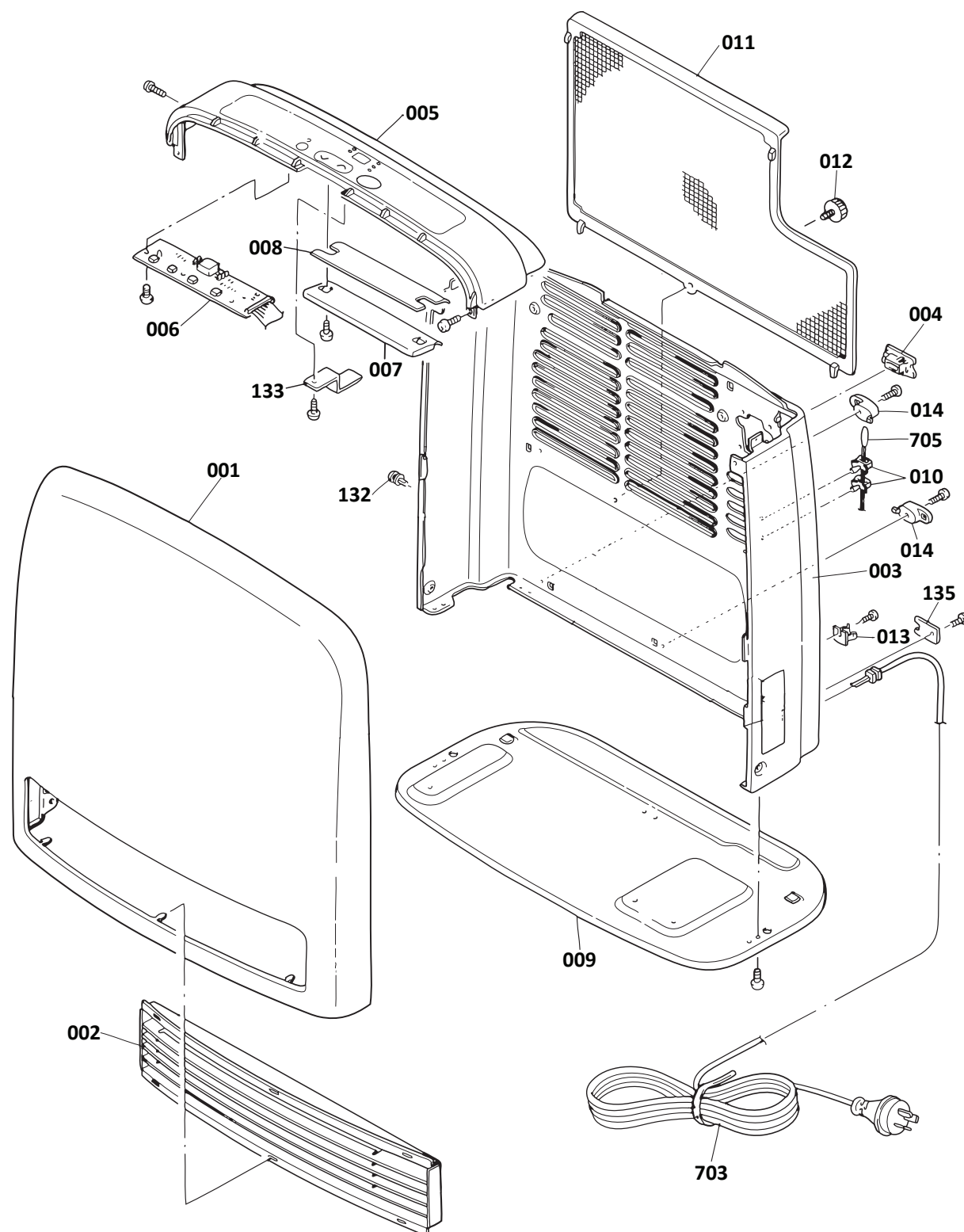
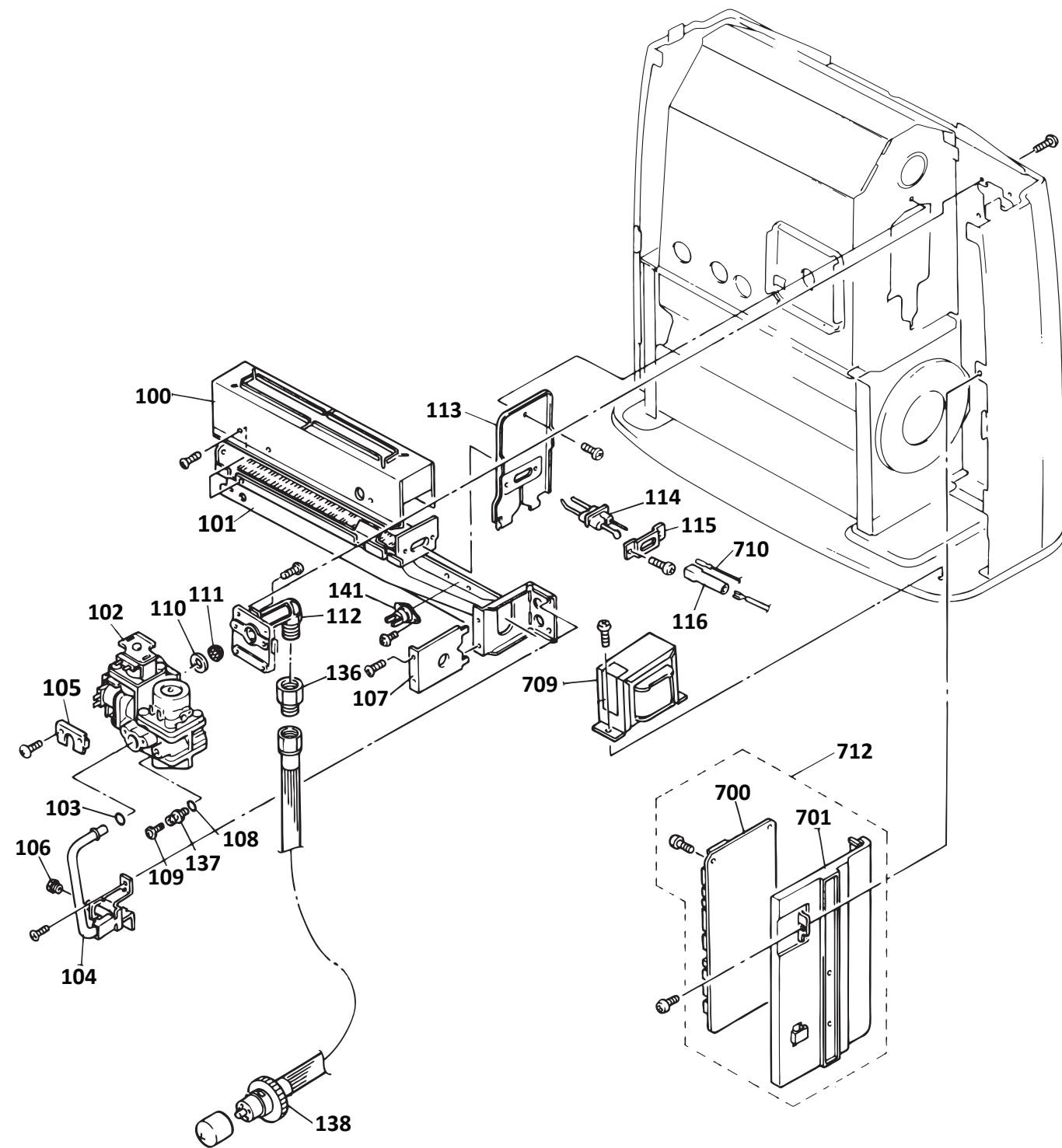


This diagram is provided to assist you to identify parts if replacement is necessary. Contact your place of purchase or the manufacturer to enquire about parts, availability and/or service.



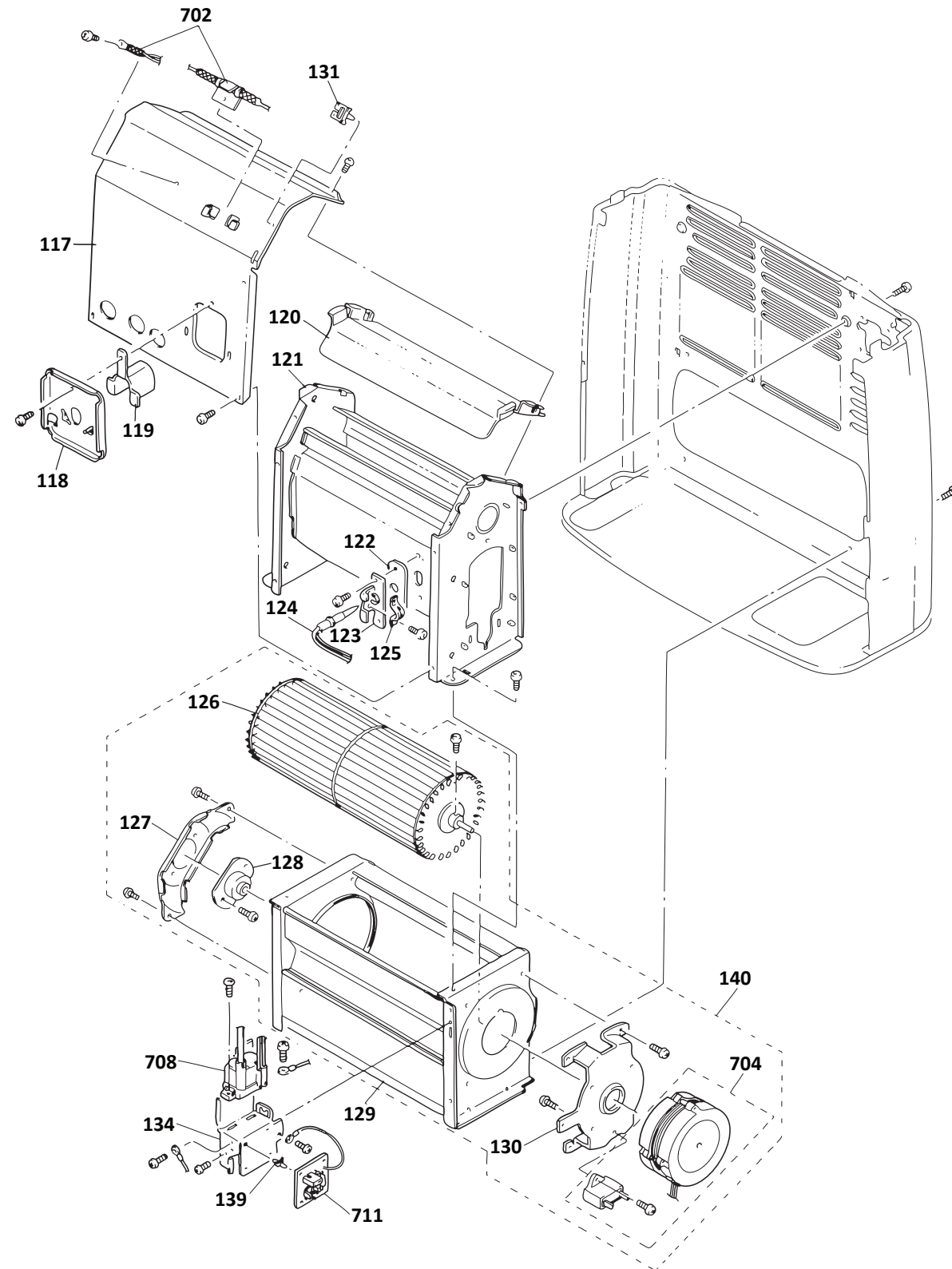
Ref.	Description	Qty.	Part No.
001	Front panel - grey	1	2556
001	Front panel - white	1	2539
002	Louvre assembly - grey	1	2548
002	Louvre assembly - white	1	2538
003	Rear panel - grey	1	2557
003	Rear panel - white	1	2537
004	TC check plug	1	2267
005	Top panel - grey	1	2552
005	Top panel - white	1	2536
006	Control panel PCB	1	2535
007	Top panel handle	1	2534
008	Handle packing	1	2533
009	Base - grey	1	2546
009	Base - white	1	2532
010	Locking wire saddle clip	2	2381
011	Air filter	1	2531
012	Resin head screw	1	Not available
013	Hose clip A	1	1938
014	Power cord holder	2	2530
132	Nylon	1	2384
133	Top plate holder	1	Not available
135	Electrical cord fixing plate	1	Not available
703	Electrical cord assembly	1	2515
705	Thermistor assembly	1	2513

This diagram is provided to assist you to identify parts if replacement is necessary. Contact your place of purchase or the manufacturer to enquire about parts, availability and/or service.



Ref.	Description	Qty.	Part No.
100	Secondary air cover	1	2529
101	Burner assembly NG	1	2528
101	Burner assembly LPG	1	2527
102	Modulating solenoid assembly	1	2526
103	O-ring	2	6642
104	Gas supply connection tube	1	2525
105	Connection tube clip B	1	2524
106	Main injector LPG	1	2522
106	Main injector NG	1	2523
107	Restrictor NG/LPG	1	1779
108	O-ring	1	2239
109	Pressure test point screw	1	9994
110	Packing	1	4202
111	Gas filter	1	4225
112	Gas connection L-flange	1	2165
113	Burner lid	1	Not available
114	Electrode	1	2399
115	Electrode bracket	1	5659
116	Silicon tube	1	4535
136	Gas inlet bush	1	5637
137	Pressure test point	1	5657
138	Hose	1	Not available
141	Overheat switch	1	2506
700	Main PCB unit	1	2517
701	PCB unit fixing bracket	1	Not available
709	Transformer	1	2510
710	Earth harness	1	2509
712	Main PCB unit complete assembly	1	Not available

This diagram is provided to assist you to identify parts if replacement is necessary. Contact your place of purchase or the manufacturer to enquire about parts, availability and/or service.



Ref.	Description	Qty.	Part No.
117	Combustion chamber hood	1	Not available
118	Combustion chamber hood L	1	Not available
119	Heat shield	1	Not available
120	Divider panel C	1	Not available
121	Combustion chamber assembly	1	Not available
122	TC spacer propane/LPG 1.00 mm	1	2412
122	TC spacer propane/LPG 2.00 mm	1	2413
122	TC spacer NG 1.60 mm	1	2416
123	Thermocouple fixing bracket	1	Not available
124	Thermocouple complete assembly	1	2520
125	Thermocouple clip	1	2288
126	Convection fan blade	1	2519
127	Metal housing	1	Not available
128	Metal housing	1	2101
129	Convection fan casing	1	Not available
130	Motor bracket	1	Not available
131	Wire clip	1	Not available
134	Spacer fixing bracket	1	Not available
139	Circuit board spacer	4	2366
140	Convection fan complete assembly	1	2518
702	TF harness	1	2516
704	Convection fan motor	1	2514
708	Ignitor assembly	1	2511
711	Sub PCB	1	2299

This diagram is provided to assist you to identify parts if replacement is necessary. Contact your place of purchase or the manufacturer to enquire about parts, availability and/or service.

Ref.	Description	Qty.	Part No.
124	Thermocouple complete assembly	1	2520
702	TF harness	1	2516
703	Electrical cord assembly	1	2514
705	Thermistor assembly	1	2513
706	TC check lead	1	2407
707	MVIG harness	1	2512
708	Ignitor assembly	1	2511
710	Earth harness	1	2509
711	Sub PCB	1	2299

