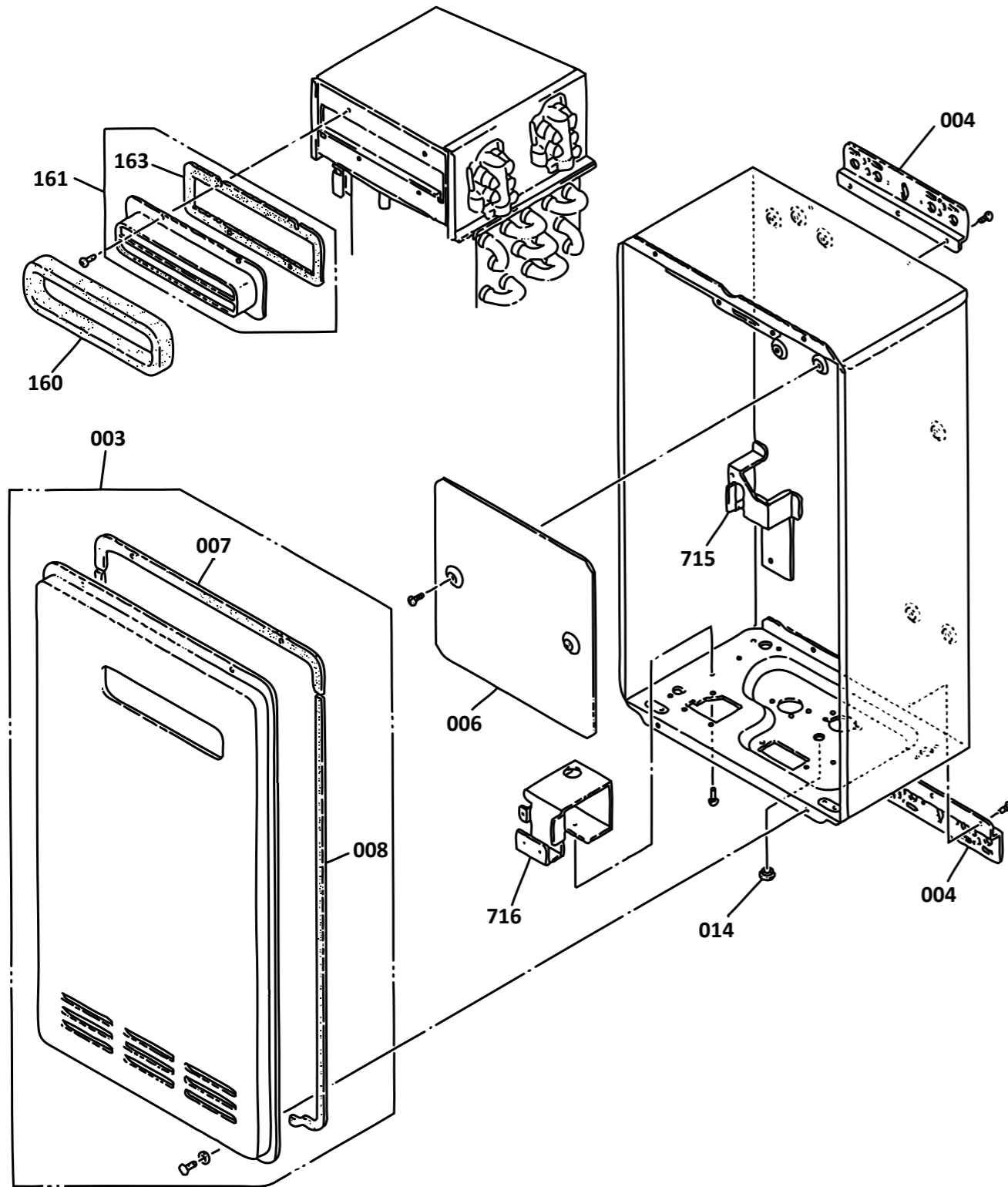


Infinity EF24 External (REU-K2430WG)

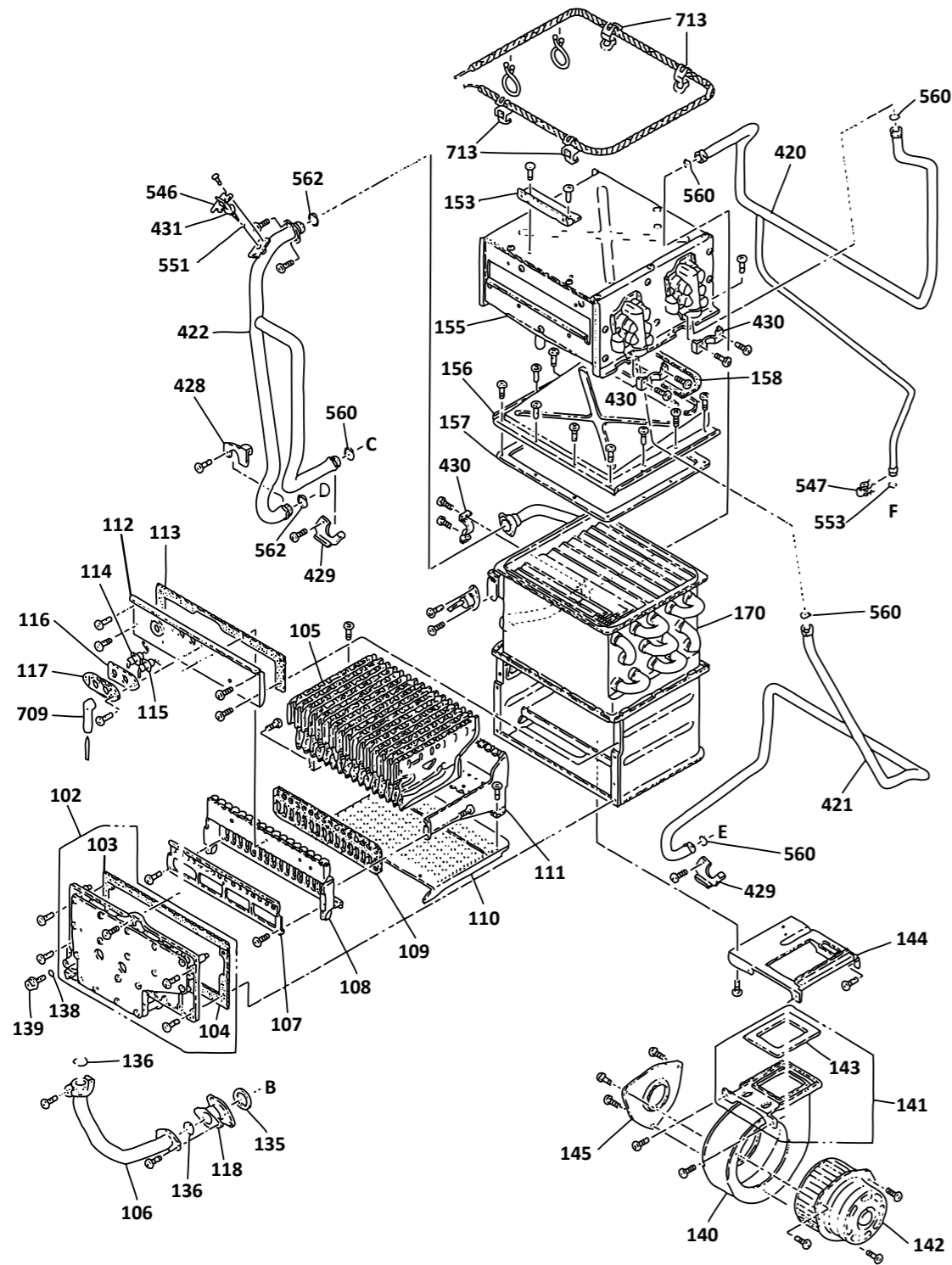
This diagram is provided to assist you to identify parts if replacement is necessary. Contact your place of purchase or the manufacturer to enquire about parts, availability and/or service.



Ref.	Description	Qty.	Part No.
SI = stocked item			
003	Front panel assy	1	5292 (SI)
004	Wall bracket	2	5254 (SI)
006	Heat protection plate	1	5291
007	Panel front packing	1	3418
008	Infinity main body side packing	2	3807
014	Seal packing	1	2898
160	Flue outlet packing	1	5249
161	Exhaust opening	1	5295
163	Exhaust opening gasket	1	5296
715	Unit bracket	1	5306
716	Sub-circuit board bracket	1	5308

Infinity EF24 External (REU-K2430WG)

This diagram is provided to assist you to identify parts if replacement is necessary. Contact your place of purchase or the manufacturer to enquire about parts, availability and/or service.

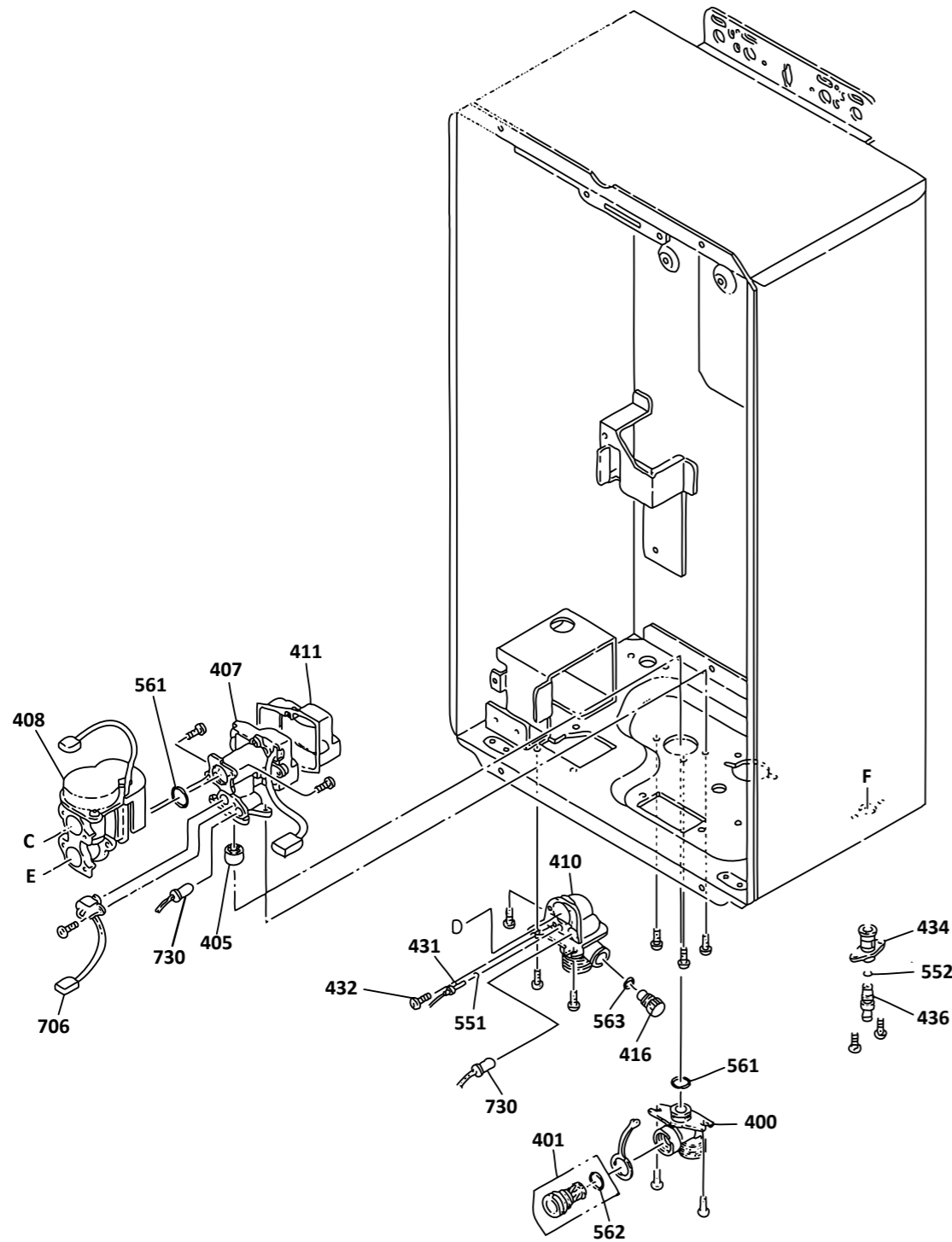


Ref.	Description	Qty.	Part No.
SI = stocked item			
102	Manifold assy LPG	1	5304 (SI)
102	Manifold assy NG	1	5305 (SI)
103	Manifold packing upper	1	3589 (SI)
104	Manifold packing lower	1	5283 (SI)
105	Burner NG/LPG	16	3440
106	Gas connection tube assy	1	5293
107	Damper	1	5267 (SI)
108	Burner case front panel	1	4937
109	Packing burner front	1	4939
110	Burner case bottom panel	1	5282
111	Burner case rear panel	1	4940
112	Combustion chamber front	1	5269
113	Combustion chamber gasket	1	5278 (SI)
114	FR electrode	1	4916
115	Electrode	1	3445
116	Electrode packing	1	3465 (SI)
117	Electrode holder	1	3468
118	Gas connection tube joint	1	5294
135	Packing	1	5255
136	O-ring M10B-1-16 (10 pieces)	2	3466
138	O-ring (10 pieces)	2	2239
139	Test point screw (5 pieces)	2	3564
140	Fan casing assembly (includes #143)	1	2863
141	Fan casing assy	1	4948 (SI)
142	Fan assy	1	5336
143	Fan connection packing	1	2669
144	Comb. chamber support panel	1	5260
145	Bell mouth	1	4949
153	Duct bracket	1	5250
155	Heat exchanger assy-T (incl. # 158)	1	5262
156	HEX bracket assy (incl. # 158, 157)	1	5265
157	Heat exchanger packing	2	5286
158	Heat exchanger packing	1	5263

Ref.	Description	Qty.	Part No.
SI = stocked item			
170	Heat exchanger assy (incl. # 156, 157, 158)	1	5301 (SI)
420	HEX connection tube assy	1	5298
421	Water connection tube assy	1	5297
422	Hot water connection tube assy	1	5299
428	Stop bracket	1	3645
429	Stop bracket	2	3624
430	Pipe fixing bracket	3	5284
431	Thermistor Infinity	2	2884
546	Thermistor clip	1	3882
547	Quick fastener 6-13	1	5289
553	O-ring 6 5RX/51FT (10 pieces)	1	1241
560	O-ring (10 pieces)	5	3826
562	O-ring P-16 (10 pieces)	3	1244
709	Electrode sleeve	1	3475
713	Temperature fuse fixing plate	4	4899
Items not shown in exploded diagram			
-	Burner assy	1	5279
-	Fan motor assy	1	5287

Infinity EF24 External (REU-K2430WG)

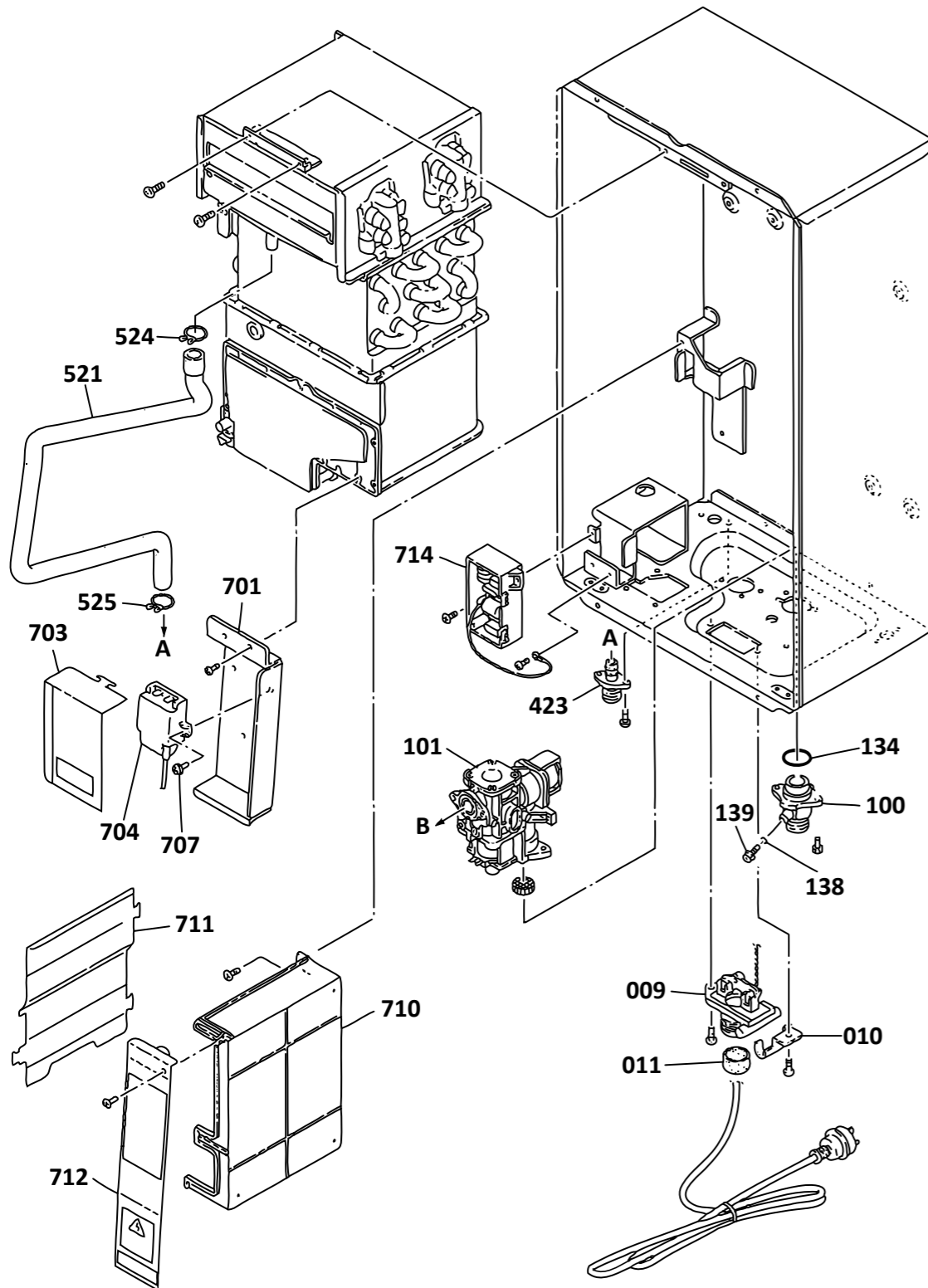
This diagram is provided to assist you to identify parts if replacement is necessary. Contact your place of purchase or the manufacturer to enquire about parts, availability and/or service.



Ref.	Description	Qty.	Part No.
SI = stocked item			
400	Water inlet ¾	1	2894
401	Incoming water filter	1	3839
405	Balancer	1	3487
407	Flow servo & sensor assy LPG	1	3943 (SI)
407	Flow servo & sensor assy NG	1	2859 (SI)
408	Bypass servo assy	1	5290
410	Hot water connect ¾	1	3625
411	Water flow servo cover	1	2871
416	Pressure relief valve (incl. # 563)	1	3491
431	Thermistor	2	2884
432	Thermistor stop screw	1	3241
434	Drain valve connection	1	5268
436	Drain valve (incl. # 552)	1	5252
551	O-ring (10 pieces)	2	3832
552	O-ring (10 pieces)	1	1234
561	O-ring (10 pieces)	2	3627
562	O-ring (10 pieces)	3	1244
563	O-ring (10 pieces)	1	1031
706	MR sensor	1	5239
730	Valve heat assy LPG	2	4752

Infinity EF24 External (REU-K2430WG)

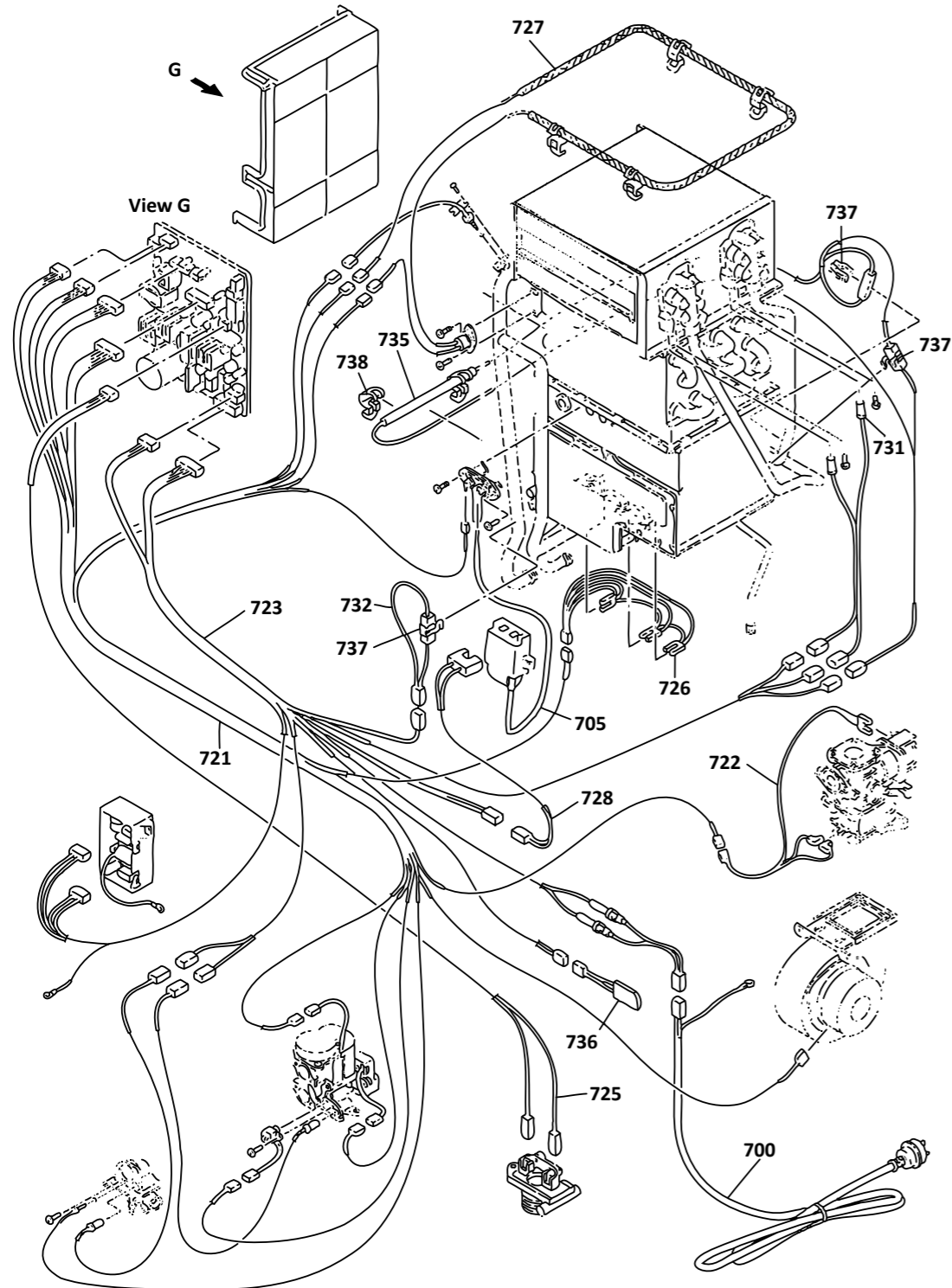
This diagram is provided to assist you to identify parts if replacement is necessary. Contact your place of purchase or the manufacturer to enquire about parts, availability and/or service.



Ref.	Description	Qty.	Part No.
SI = stocked item			
009	Quick connect assy	1	3310
010	Quick connection bracket	1	3311
011	Cable seal packing	1	2928
100	Gas connection	1	3074
101	Gas control assy	1	5256 (SI)
134	Infinity gas inlet o-ring (10 pieces)	1	3837
138	O-ring (10 pieces)	2	2239
139	Test point screw (5 pieces)	2	3564
423	Over flow connector (condensate drain)	1	5257
521	Drain tube	1	5310
524	Pin band (15.5)	1	5258
525	Pin band (17.5)	1	5259
701	Ignitor fixing plate	1	5309
703	Ignitor cover	1	5313
704	Ignitor assy	1	2886 (SI)
707	Tapping screw	1	2896
710	PCB	1	5311 (SI)
711	PCB cover	1	2866
712	EC cover Z	1	5312
714	Surge protector	1	4930 (SI)

Infinity EF24 External (REU-K2430WG)

This diagram is provided to assist you to identify parts if replacement is necessary. Contact your place of purchase or the manufacturer to enquire about parts, availability and/or service.



Ref.	Description	Qty.	Part No.
SI = stocked item			
700	Power cord 3203	1	3526 (SI)
705	High tension lead	1	3651 (SI)
721	Sensor harness	1	5315 (SI)
722	Gas control harness	1	5323 (SI)
723	Fuse harness LPG	1	5321 (SI)
723	Fuse harness NG	1	5320 (SI)
725	Remote controller harness	1	2891 (SI)
726	Hot water switch valve harness	1	5322 (SI)
727	Thermal fuse assy (incl. 713)	1	5300 (SI)
728	Ignitor lead	1	5314 (SI)
731	Dual valve heater LPG	1	5302 (SI)
732	Anti frost heater assy LPG	1	5324 (SI)
735	A-frost heater assy LPG	1	5303 (SI)
736	Frost sense switch LPG	1	3358 (SI)
737	Clip pipe 2-sided LPG	3	3917 (SI)
738	Anti frost heater clip LPG	2	5261 (SI)