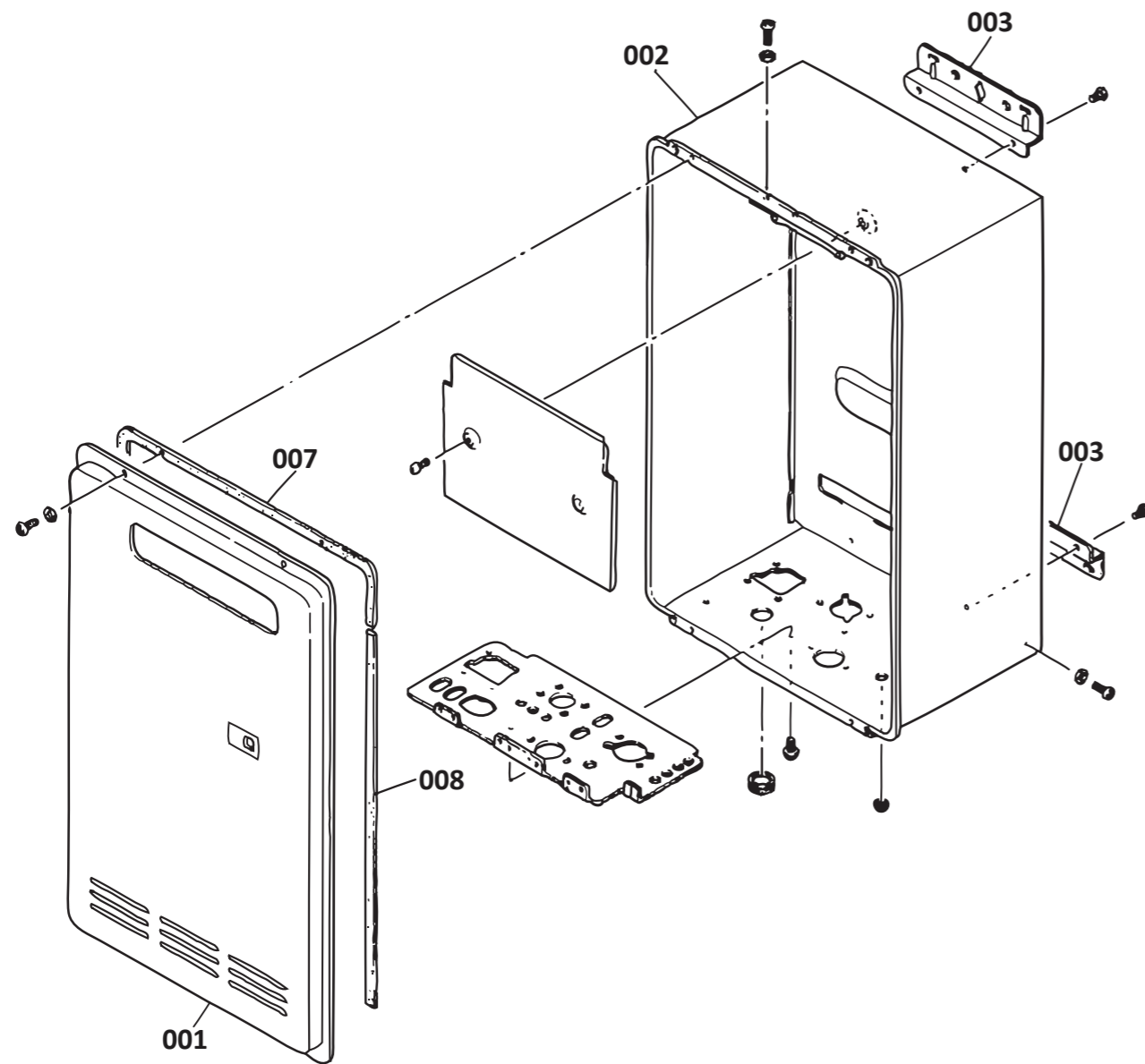


# Infinity V26 (REU-V2626W) external water heater

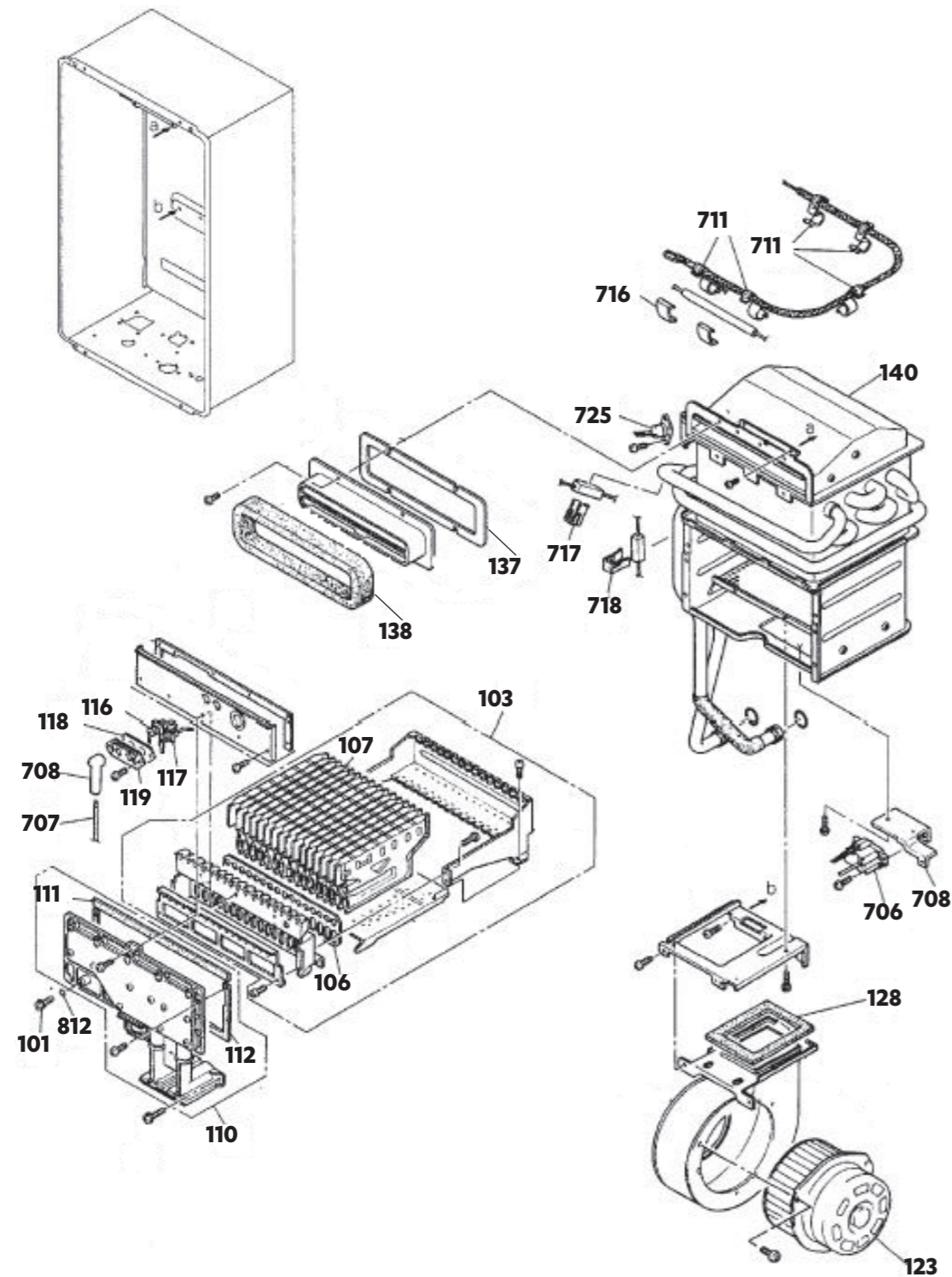
This diagram is provided to assist you to identify parts if replacement is necessary. Contact your place of purchase or the manufacturer to enquire about parts, availability and/or service.



Ref.	Description	Qty.	Part No.
001	Front panel	1	3806
002	Main body	1	3220
003	Wall bracket	2	3387
007	Front panel seal	1	3418
008	Front panel seal side	2	3807

# Infinity V26 (REU-V2626W) external water heater

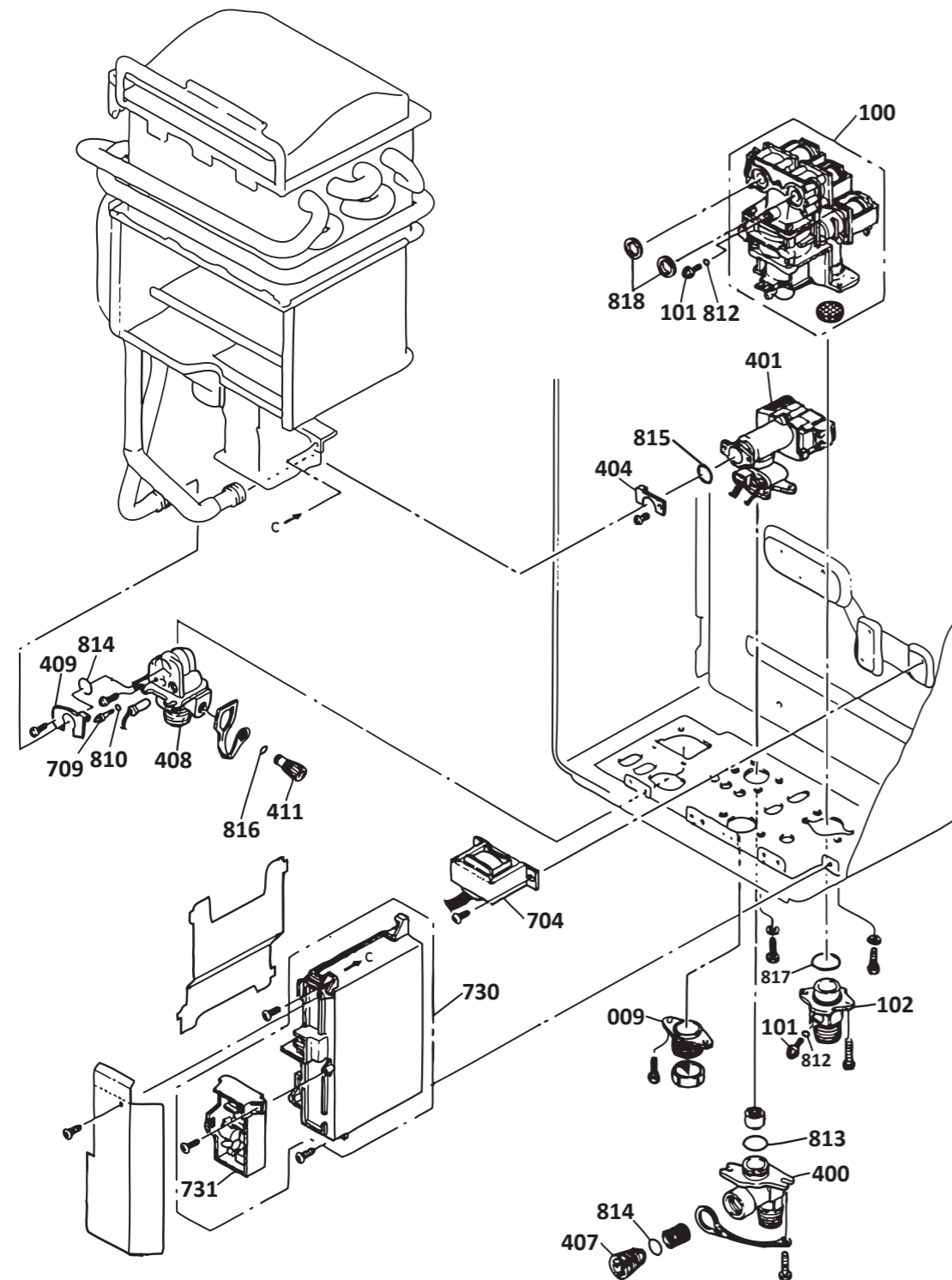
This diagram is provided to assist you to identify parts if replacement is necessary. Contact your place of purchase or the manufacturer to enquire about parts, availability and/or service.



Ref.	Description	Qty.	Part No.
101	Test point screw	3	3564
103	Burner assembly complete	1	3566
106	Damper LPG	1	3567
107	Burner	1	3440
110	Main assembly NG	1	3585
110	Main assembly LPG	1	3569
111	Combustion chamber seal	1	3589
112	Combustion chamber seal	1	3597
116	Electrode	1	3445
117	Flame rod	1	3464
118	Electrode gasket	1	3465
119	Electrode retainer	1	3468
123	Fan motor assembly	1	3822
128	Fan flange seal	1	2669
137	Flue outlet packing	1	2934
138	Flue outlet packing	1	2933
140	Heat exchanger assembly	1	3824
140	Heat exchanger high acidity	1	5353
706	Sparker	1	3649
707	High tension lead	1	3651
708	Electrode sleeve	1	3475
711	Thermal fuse fixing clamp	5	3659
716	Heater clamp	2	3891
717	Heater clamp	1	3917
718	Heater clamp	1	2899
725	Thermal fuse assembly	1	3770
812	O-ring	3	2239

# Infinity V26 (REU-V2626W) external water heater

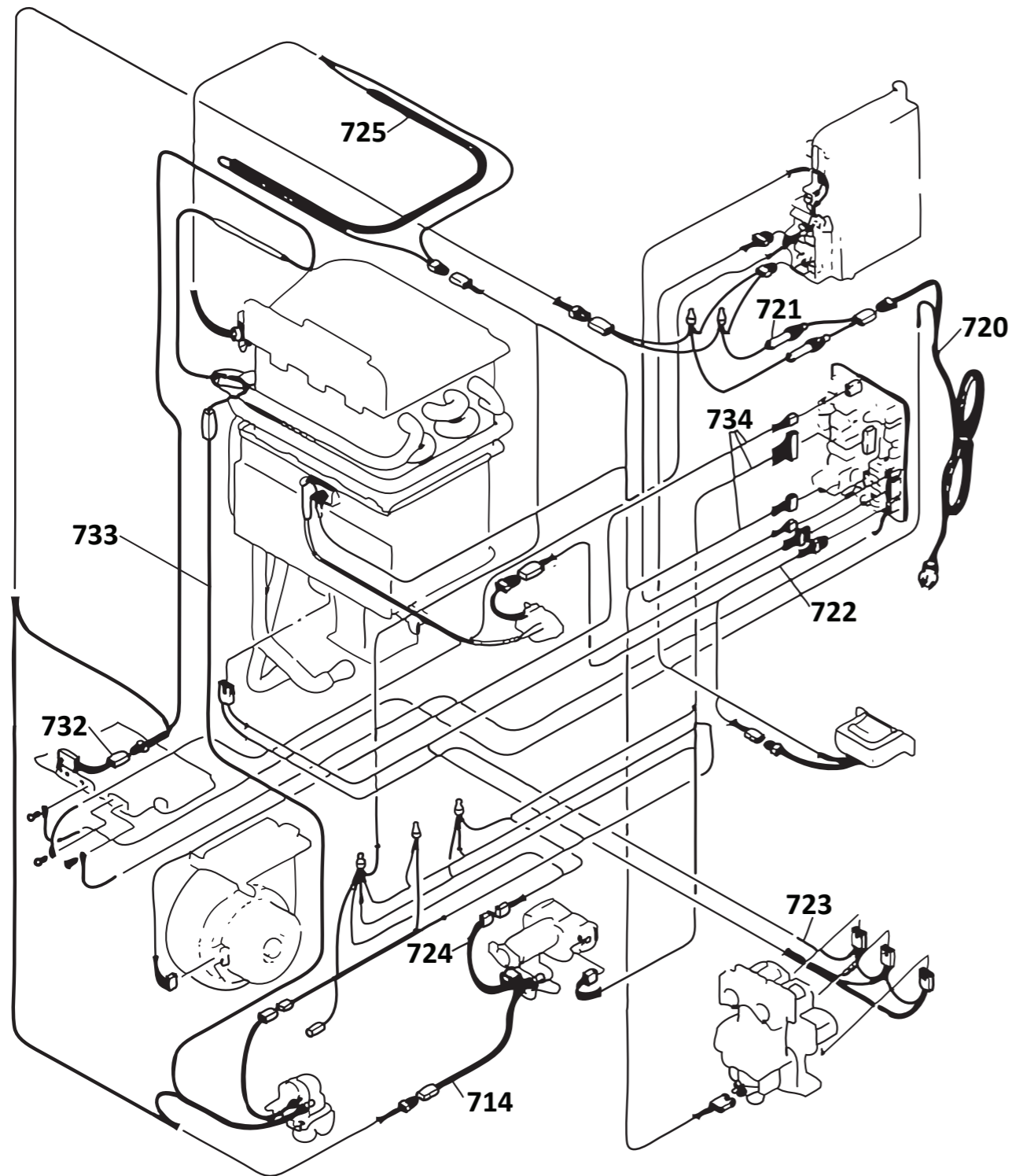
This diagram is provided to assist you to identify parts if replacement is necessary. Contact your place of purchase or the manufacturer to enquire about parts, availability and/or service.



Ref.	Description	Qty.	Part No.
009	Cable connector	1	3896
100	Gas control assembly	1	3557
101	Test point screw	3	3564
102	Gas inlet	1	3074
400	Water inlet	1	3484
401	Water flow servo & sensor assembly	1	3846
404	Pipe clamp	1	3872
407	Incoming water filter (filter + plug)	1	3839
408	Hot water connection	1	3625
409	Pipe clamp	1	3645
411	Drain valve	1	3491
704	Transformer	1	3648
709	Thermistor	1	3389
730	PCB	1	3884
731	Surge protector/PCB sub assembly	1	3647
810	O-ring	1	3832
812	O-ring	3	2239
813	O-ring	1	3627
814	O-ring	2	1244
815	O-ring	1	3826
816	O-ring	1	1031
817	O-ring	1	3837
818	O-ring	2	3773

# Infinity V26 (REU-V2626W) external water heater

This diagram is provided to assist you to identify parts if replacement is necessary. Contact your place of purchase or the manufacturer to enquire about parts, availability and/or service.



Ref.	Description	Qty.	Part No.
714	Anti frost heater	1	3721
720	Power lead	1	3526
721	Fuse harness	1	3391
722	Transformer harness	1	3764
723	Gas solenoid harness	1	3765
724	Water flow sensor harness	1	3771
725	Thermal fuse assembly	1	3770
732	Frost switch	1	3358
733	Anti frost heater	1	3892
734	Main wiring harness	1	3894