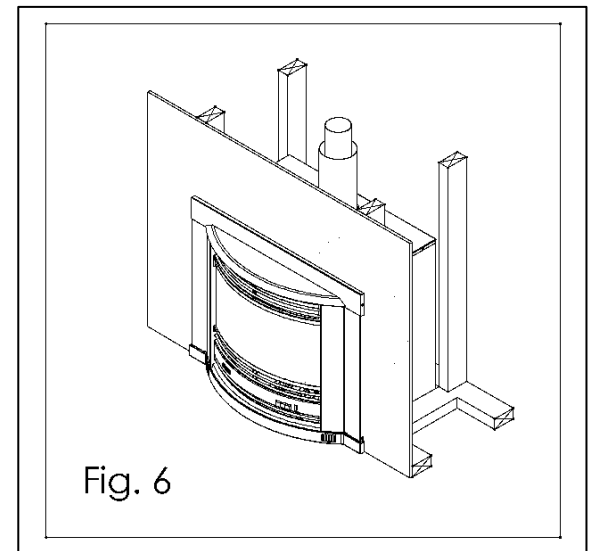
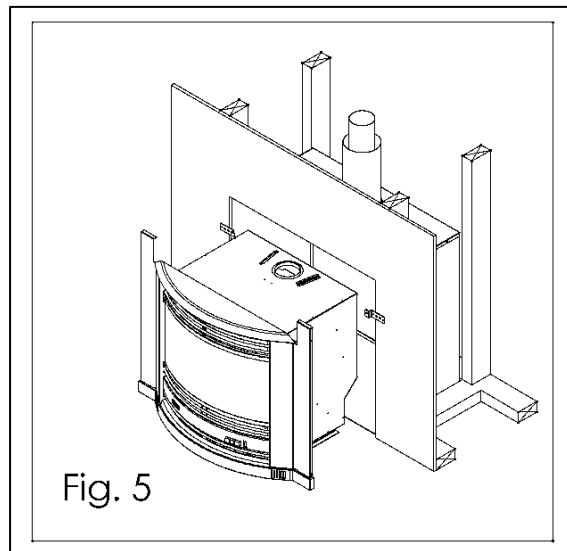
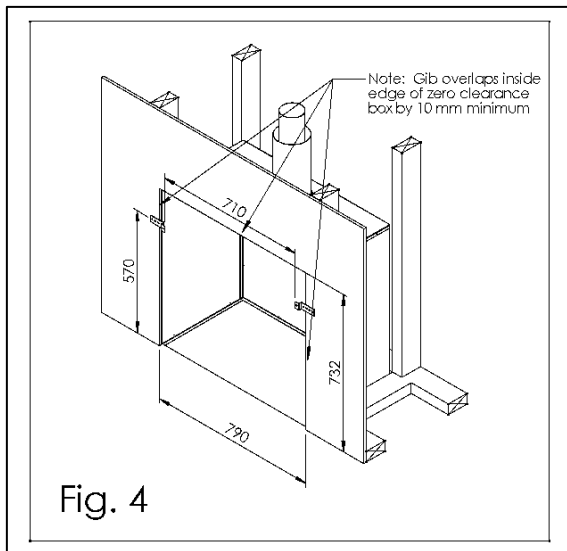
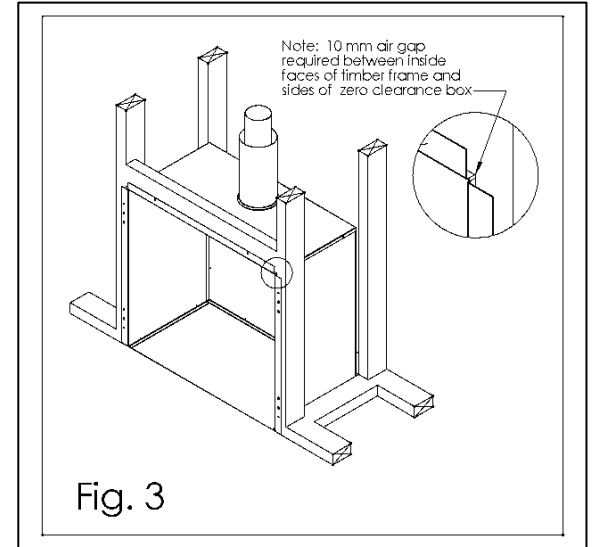
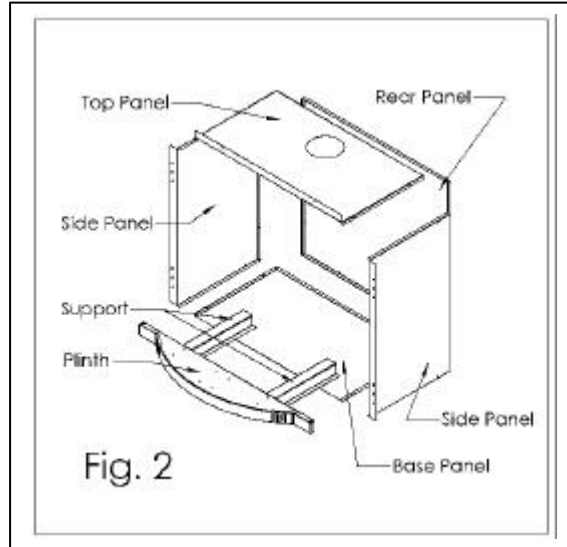
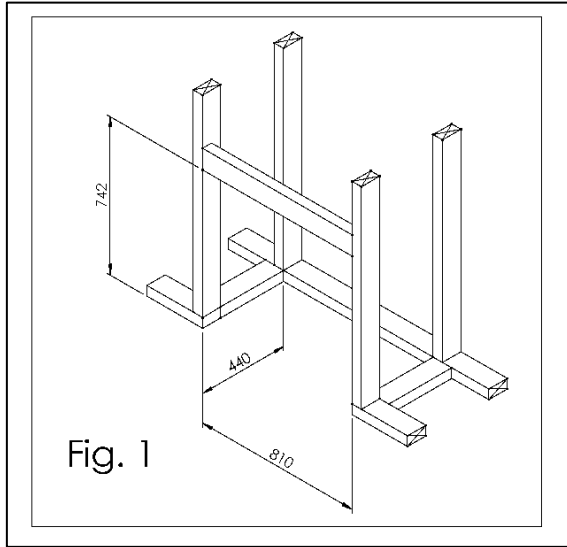


IB35R Zero Clearance Kit



INSTALLATION INTO A ZERO CLEARANCE BOX IB35R

If the heater is to be installed into a combustible opening, the Rinnai Zero Clearance Kit must be used

Parts included in the Zero Clearance kit are:

- 1 Top panel
- 1 Base panel
- 2 Side panels
- 1 Rear panel
- 2 Base support runners
- 1 Plinth
- 20 Galvanised pan head screws

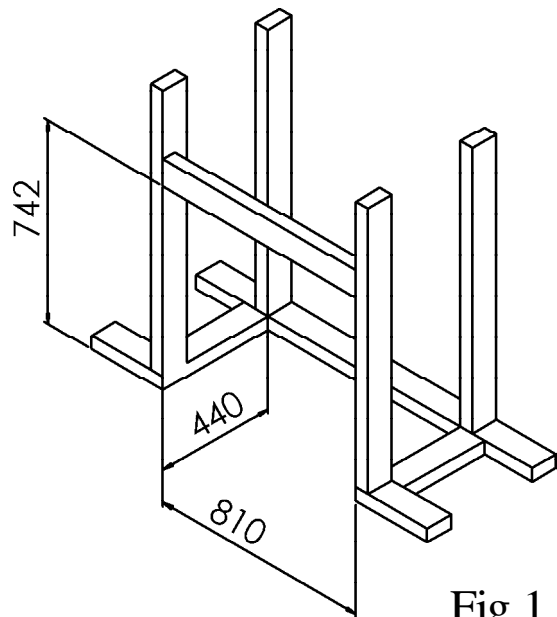


Fig. 1

Build frame as set out in Fig. 1.
Lie base panel on the floor with return fold upwards.

Stand side panels on the inside of the base panel with securing fold to the front as shown in fig. 2.

Slide back panel between side panels, ensuring that the gas inlet hole is in the bottom right-hand corner.

Place the top panel with the large fold, forward and upward, and the flue outlet to the rear.

The Zero Clearance Box should now be stable enough on its own.

Using the self-tapping screws, secure the panels in the holes provided.

Run the gas line to the appropriate position.

The Zero Clearance Box can now be secured to the framing using the small holes provided.

NB. Do not secure the box by using the larger slots on the left and the right. These are for securing the brackets when the fire is installed.

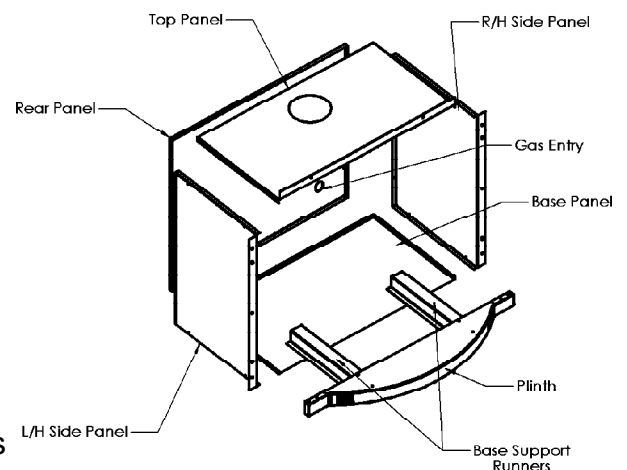
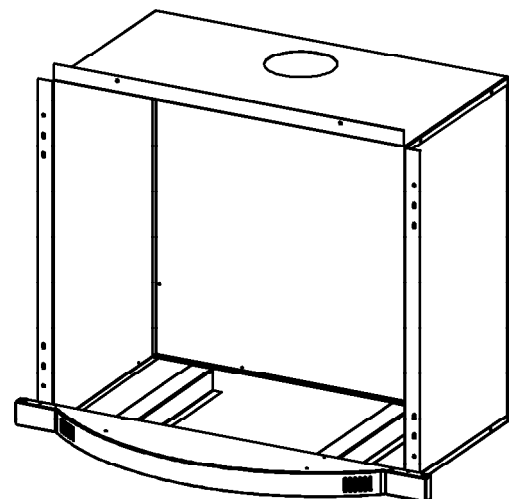
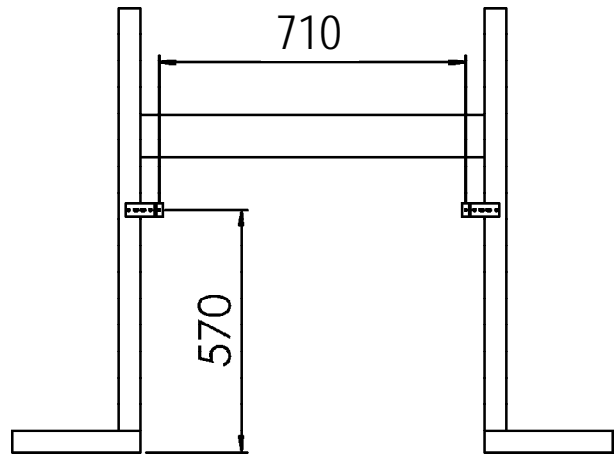


Fig 2



Fix the Retaining brackets in place in the position shown.

On the heater, remove the top right and left hand screws on the Facia panel and remove the top Facia. This allows access to be able to install and affix the flue collar.



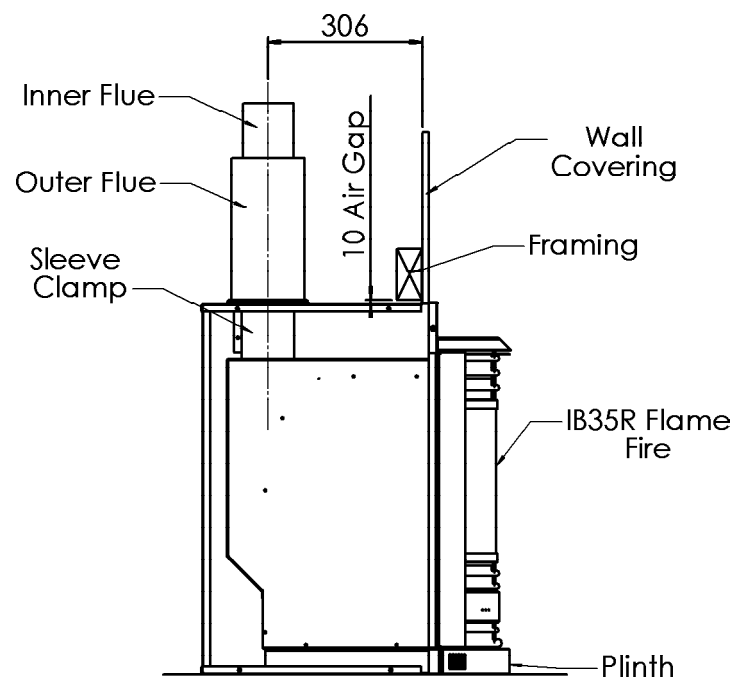
Flue System

The Rinnai Flue System Pt. # R1762 should be used. Extension kits are available Pt.# R1763. 45 degrees bend kits are also available, Black Pt. # R1765, Galvanised, R1764.

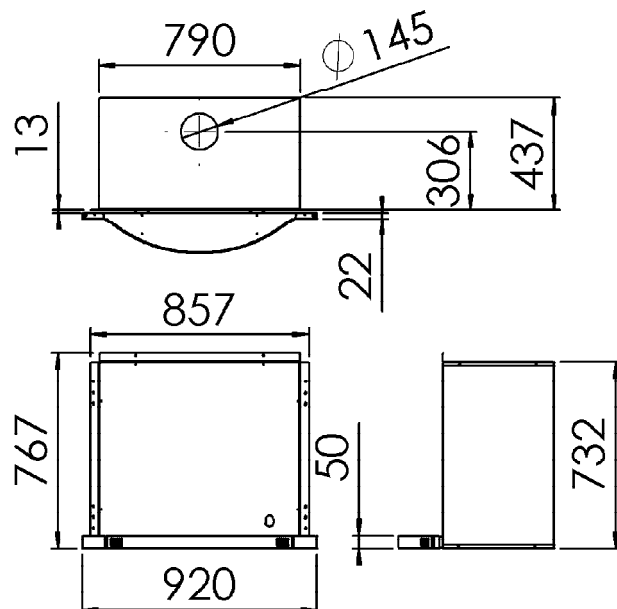
Insert the double-lined flue 150mm out through the flue opening provided, and complete the installation with the flue cowl and slip collar.

The inner flue should penetrate the box by 50mm. This is to ensure that any residual heat in the Zero Clearance Box is ducted away up the 150mm outer skin.

When the fire is installed the slip collar can be lowered to connect the Fire to the flue spigot. Gib-stopping can now be carried out.



After Gib-stopping, the Fire can be installed and tested as previously described in the Fireplace Installation details.



General Dimensions