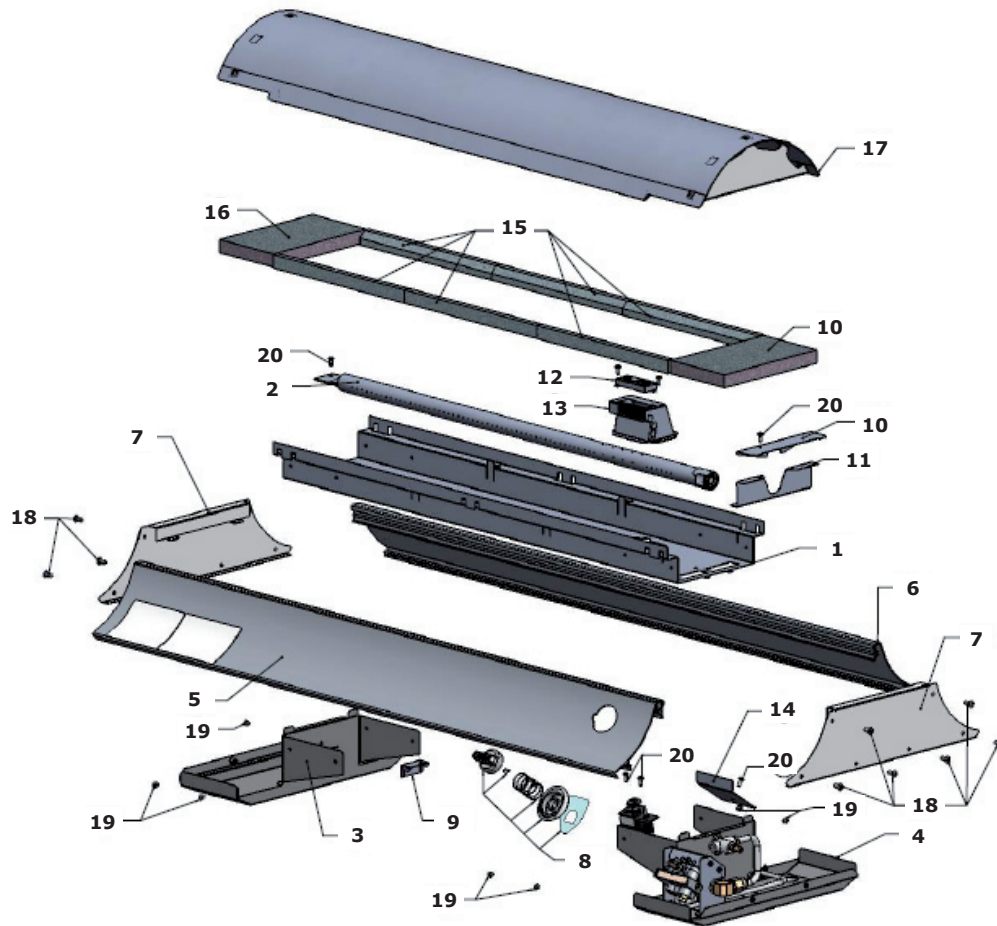
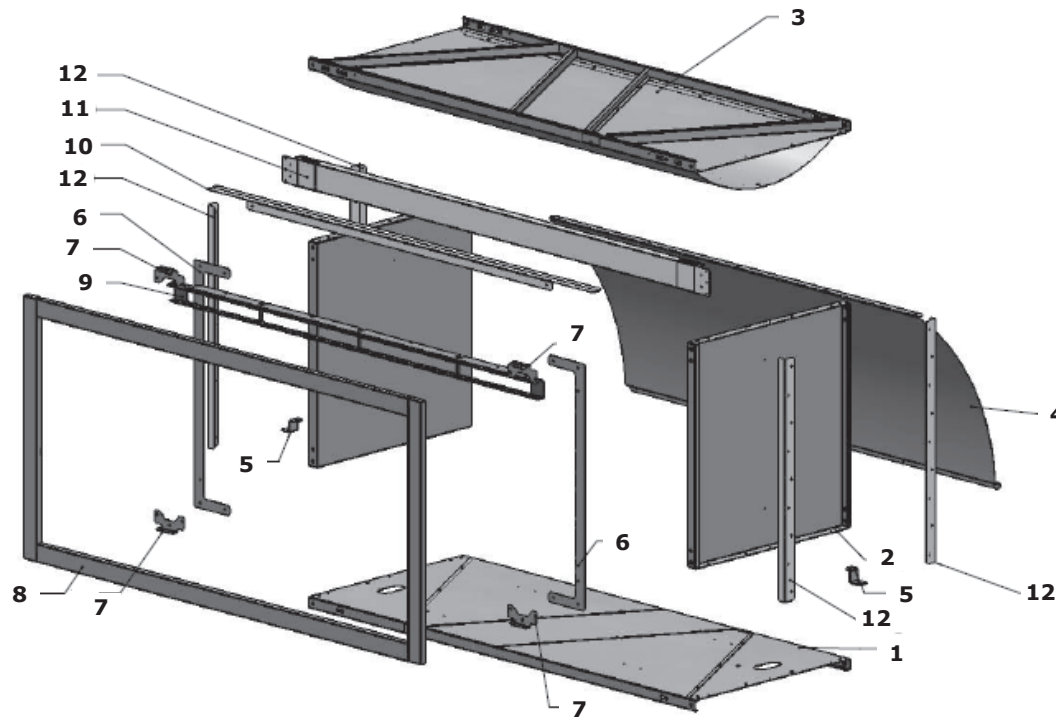


# Rinnai | Impression Outdoor Fire - Burner



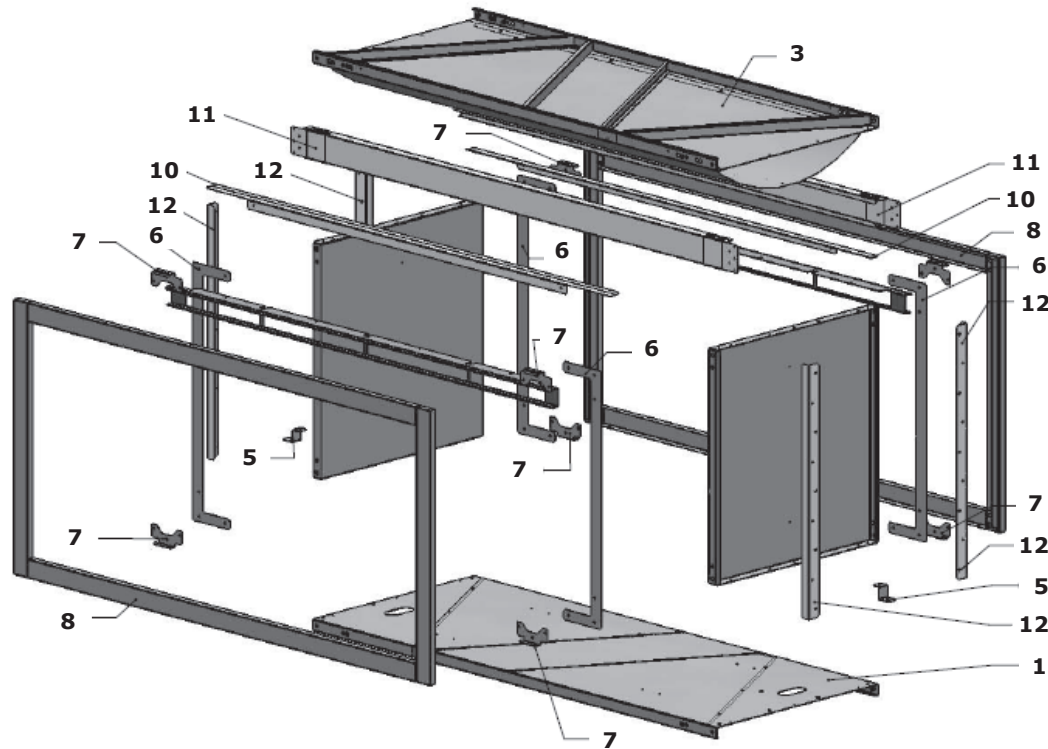
No.	Description	RNZ Part	Qty
1	Burner Body Panel	11215	1
2	Burner Tube LPG	11208	1
3	Left Hand Foot Panel	11216	1
4	Gas Assembly LPG (NZ RA)	11301 (not sold)	1
5	Front Burner Panel (with warning labels)	11330	1
6	Back Burner Panel	11211U	1
7	End Burner Panel	11212U	2
8	Control Knob Assembly	11331	1
9	Burner Bracket	11220	1
10	Primary Air Cover	11237	1
11	Primary Air Shield	11225	1
12	Pilot Cover Top	11222	1
13	Panel Pilot Cover Assembly	11223	1
14	Panel Control Cover	11271	1
15	Granite 272 x 20 mm	11228	6
16	Granite 192 x 111 mm	11229	2
17	Weather Shield Assembly	11329	1
18	Screw Button Socket 304 M5	9006	12
19	Rivet Pop Plain 73 AS 5.3 Stainless	9324	9
20	Screw M4 x 10 Pan Phil St.St 304	9065	7

# Rinnai | Impression Outdoor Fire - Single Sided Cabinet



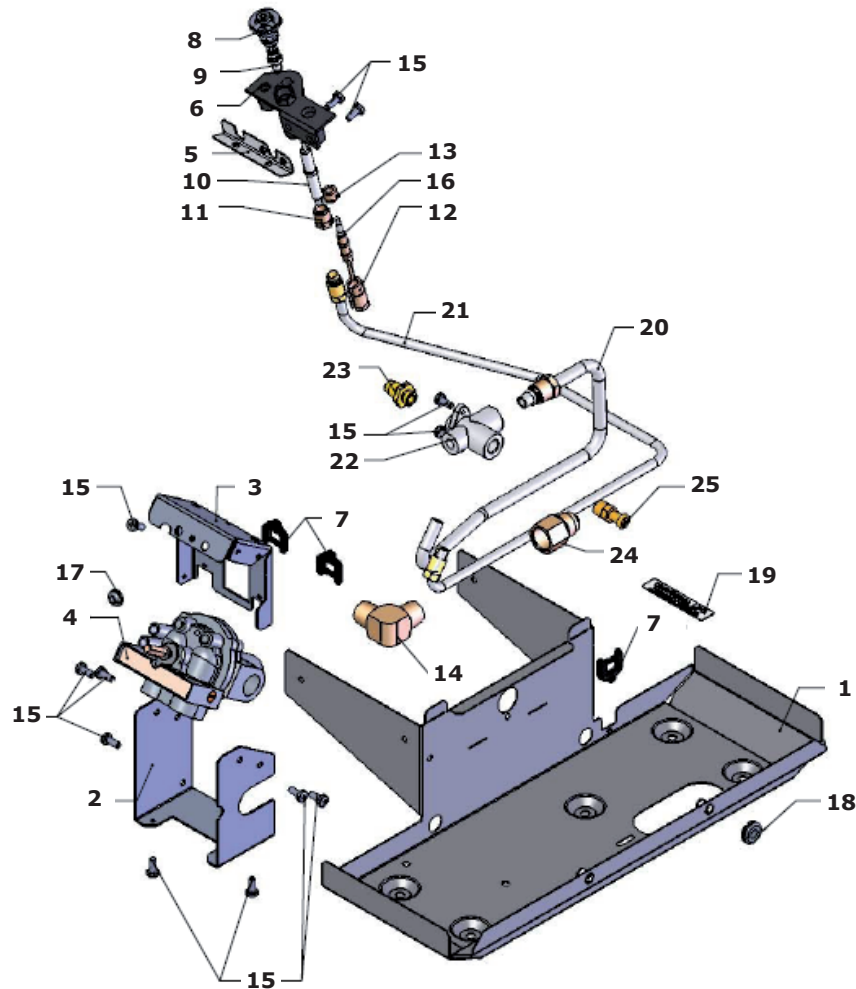
No.	Description	RNZ Part	Qty
1	Base Panel Assembly	11333	1
2	Body Side Panel Assembly	11232	2
3	Top Panel Assembly	11332	1
4	Rear Body Panel (curved)	11235	1
5	Transport Bracket	11236	2
6	Body Corner Bracket	11238	2
7	Fascia Mounting Bracket	11267	4
8	Frame Trim SS 40 mm	R2615	1
9	Top Louvre	11253	1
10	Flashing	11214	1
11	Lintel Kit	R2629	1
12	Installation Spacer Bracket	11268	4

# Rinnai | Impression Outdoor Fire - Double Sided Cabinet



No.	Description	RNZ Part	Qty
1	Base Panel Assembly	11333	1
2	Body Side Panel Assembly	11232	2
3	Top Panel Assembly	11352	1
5	Transport Bracket	11236	2
6	Body Corner Bracket	11238	4
7	Fascia Mounting Bracket	11267	8
8	Frame Trim SS 40 mm	R2615	2
9	Top Louvre	11253	2
10	Flashing	11214	2
11	Lintel Kit	R2629	2
12	Installation Spacer Bracket	11268	4

# Rinnai | Impression Outdoor Fire - Gas Control Assembly



No.	Description	RNZ Part	Qty
1	Right Hand Foot Burner Body Assembly	11217	1
2	Front Gas Mounting Bracket	11218	1
3	Control Mount Support	11219	1
4	Gas Valve - Dung	11200	1
5	Panel Pilot Bracket	11277	1
6	Pilot Body Top Convertible	7870	1
7	Protector Plastic Edge EHS11U	1880	3
8	Pilot Convertible Hood 2-Flame	7871	1
9	Injector LPG 35	7873	1
10	Electrode	7875	1
11	Electrode Nut (S.I.T)	7876	1
12	Thermocouple Nut	7901	1
13	Spacer Thermocouple Pilot	7903	1
14	Elbow 3/8 BSPT x 3/8 BSPT	11298	1
15	Screw M4 x 10 Pan Phil St.St 304	9065	12
16	Thermocouple Outdoor Fire	11203	1
17	Rubber Grommet IMG010	6749	1
18	Rubber Grommet IMG030	7132	1
19	Label Gas Type Universal LPG	-	-
20	Main Tube Assembly (with olive)	11328	1
21	Pilot Tube Assembly (with olive)	11327	1
22	Injector Block A+B+C	7959	1
23	Injector 1.90 mm LPG	11205	1
24	Gas Connector 3/8 BSPP x 1/2 UNF Flare	11299	1
25	Pressure Test Point	9992	1
25	Pressure Test Point Screw	9994	1
25	Pressure Test Point Packing	9995	1
-	Piezo HT Lead Assy (Dung BM733)	11325	1
-	Valve Electromag (Dung BM733)	11326	1
-	Olive 8 mm (Dung BM733)	11337	1
-	Olive 6 mm	7519	1

# Rinnai | Impression Outdoor Fire - Glass Door Assembly

