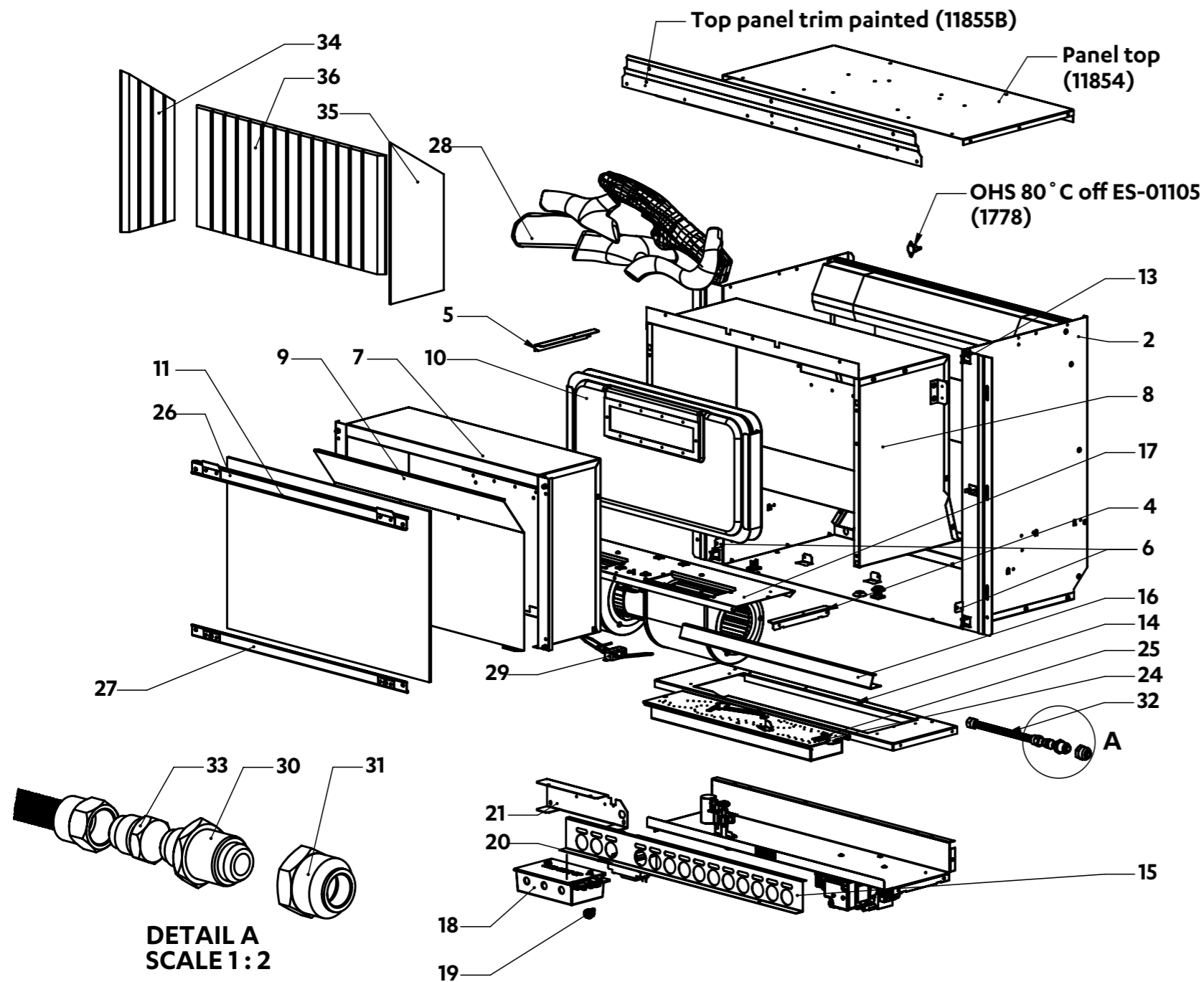


Neo (RIB2311) gas fireplace

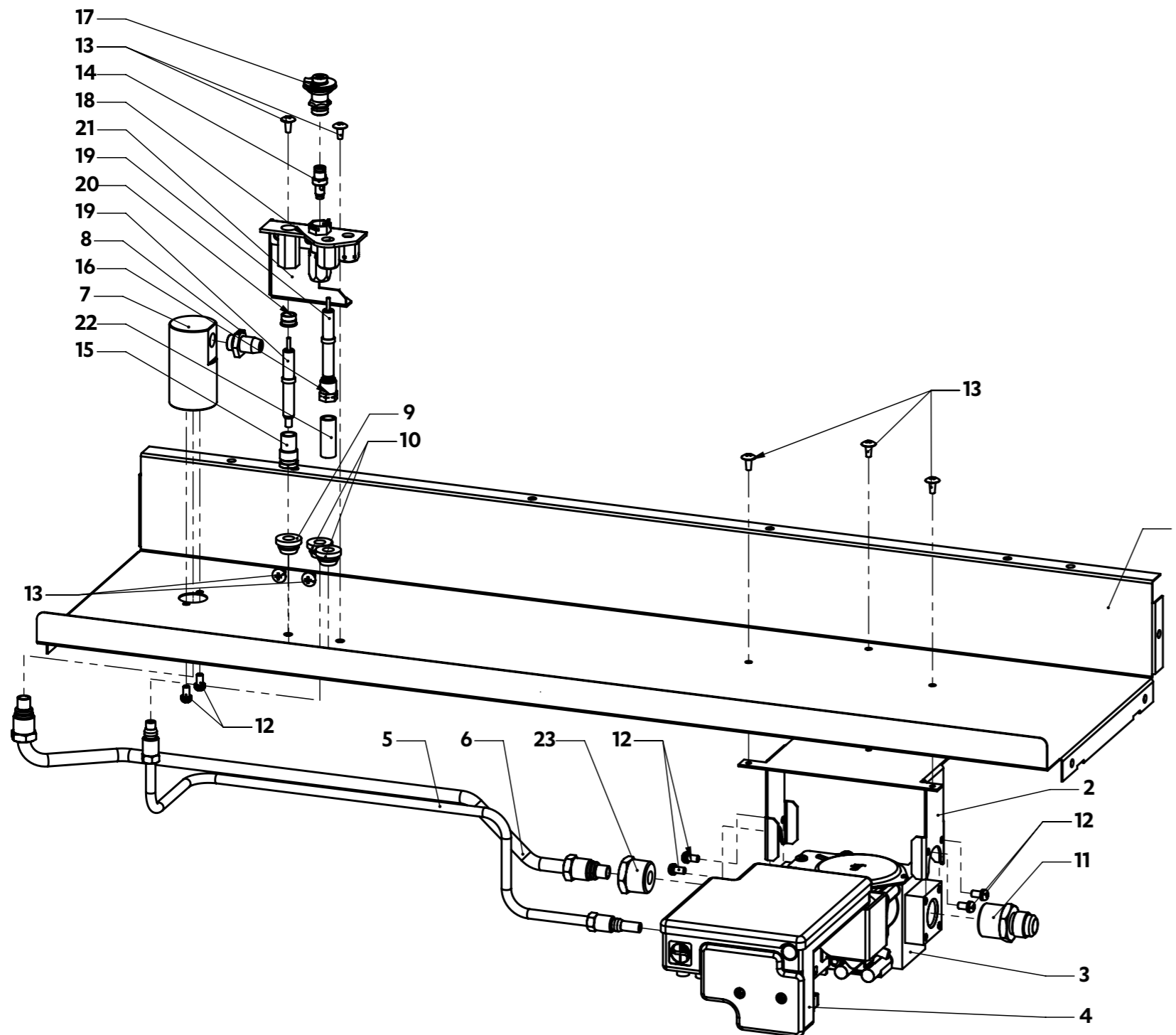
This diagram is provided to assist you to identify parts if replacement is necessary. Contact your place of purchase or the manufacturer to enquire about parts, availability and/or service.



Ref.	Description	Qty.	Part No.
2	Body outer assembly painted	1	11884B
4	Fan mount bracket RH	1	11860
5	Fan mount bracket LH	1	11859
6	Surround retaining bracket	2	11865
7	Combustion chamber RIB23 spare part (includes #9 12319F and instruction sheet 12326)	1	12327
8	Air guide replacement assembly	1	11967
9	Heat shield painted	1	12319F
10	Heat exchanger assembly	1	11964
-	Heat exchanger gasket (rectangle)	-	10925
11	Glass replacement assembly	1	11966
13	Cable clip	8	10309
14	Burner surround painted	1	11857F
15	Burner air intake painted	1	11858B
16	Pilot shield	1	11873F
17	Fan replacement assembly	1	11965
18	Control unit replacement RF	1	11671
19	Power cord holder	1	7845
20	Transformer	1	11538
21	Electronics mounting bracket	1	11864
24	Burner assembly black NG	1	11886F
25	Burner assembly black LPG	1	11945F
26	Glass retainer top assembly	1	11962
27	Glass retainer bottom assembly	1	11963
28	Log set**	1	12370
not drawn	Granule pack**	1	2544
** Correct positioning of the log set and granules are critical to the performance of the heater. Always follow the instructions detailed in the installation manual.			
29	Filter assembly EMI	1	11713
30	Adaptor ½ BSP ¾ SAE flare	1	11944
31	Nut ½ compression	1	5064
32	Flexitube 3/8 x 8 CW 5/8-18 nuts	1	7835
33	Brass plug ¾" SAE flare	1	11948
34	Ceramic panel groove LH	1	12366
35	Ceramic panel groove RH	1	12368
36	Ceramic panel groove rear	1	12367
not drawn	Harness wiring	1	11909
not drawn	Harness OH switch	1	11924
not drawn	Power cord black	1	6765B
not drawn	Harness OHS	1	11594
not drawn	Remote control replacement RF	1	11674
not drawn	Cat5 cable 1.4 m	1	11925

Neo (RIB2311) gas fireplace

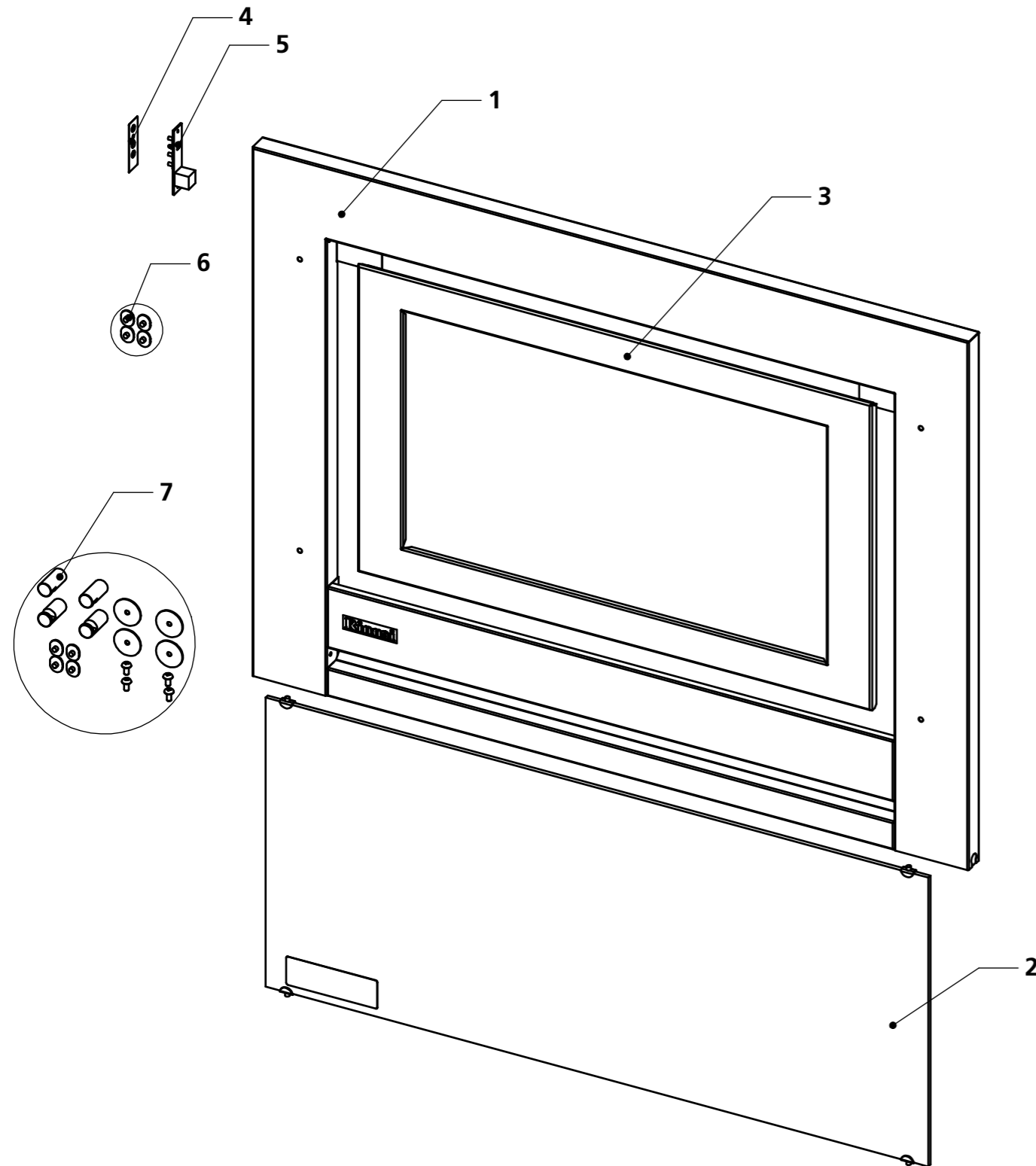
This diagram is provided to assist you to identify parts if replacement is necessary. Contact your place of purchase or the manufacturer to enquire about parts, availability and/or service.



Ref.	Description	Qty.	Part No.
1	Burner support	1	11856
2	Gas control mounting bracket	1	11863
3	Gas control sigma 845 SIT	1	10600
4	Ignition pack DBC 579 SIT	1	10601
5	Pilot tube replacement assembly	1	11968
6	Gas supply tube	1	11891
7	Injector block	1	11530
8	Injector 1.55 LPG	1	11868
8	Injector 2.8 NG	1	11892
9	Grommet silicon 2Ø1.8 hole	1	10294
10	Grommet silicon Ø4 hole	2	10293
11	Reducing flare 3/8 x 1/2	1	5074
12	Screw M4 x 8 PHPMZ springwash	6	9064
13	Screw 2 truss 4 x 8 tap zinc	7	9151
14	Injector LPG 35	1	7873
14	Injector pilot NG 62	1	7795
15	Electrode nut ETR	1	7900
16	Electrode nut (SIT)	1	7876
17	Pilot convertible hood 2 flame	1	7871
18	Pilot body top convertible	1	7870
19	Electrode	2	7875
20	Spacer electrode pilot	1	7902
21	Pilot bracket	1	11862
22	Electrode sheath silicone PK2	1	12931
23	Pipe adaptor 1/2 " BSPT	1	11589
not drawn	Sensor wire SIT	1	11910
not drawn	HT lead SIT control	1	11911

Neo (RIB2311) gas fireplace

This diagram is provided to assist you to identify parts if replacement is necessary. Contact your place of purchase or the manufacturer to enquire about parts, availability and/or service.



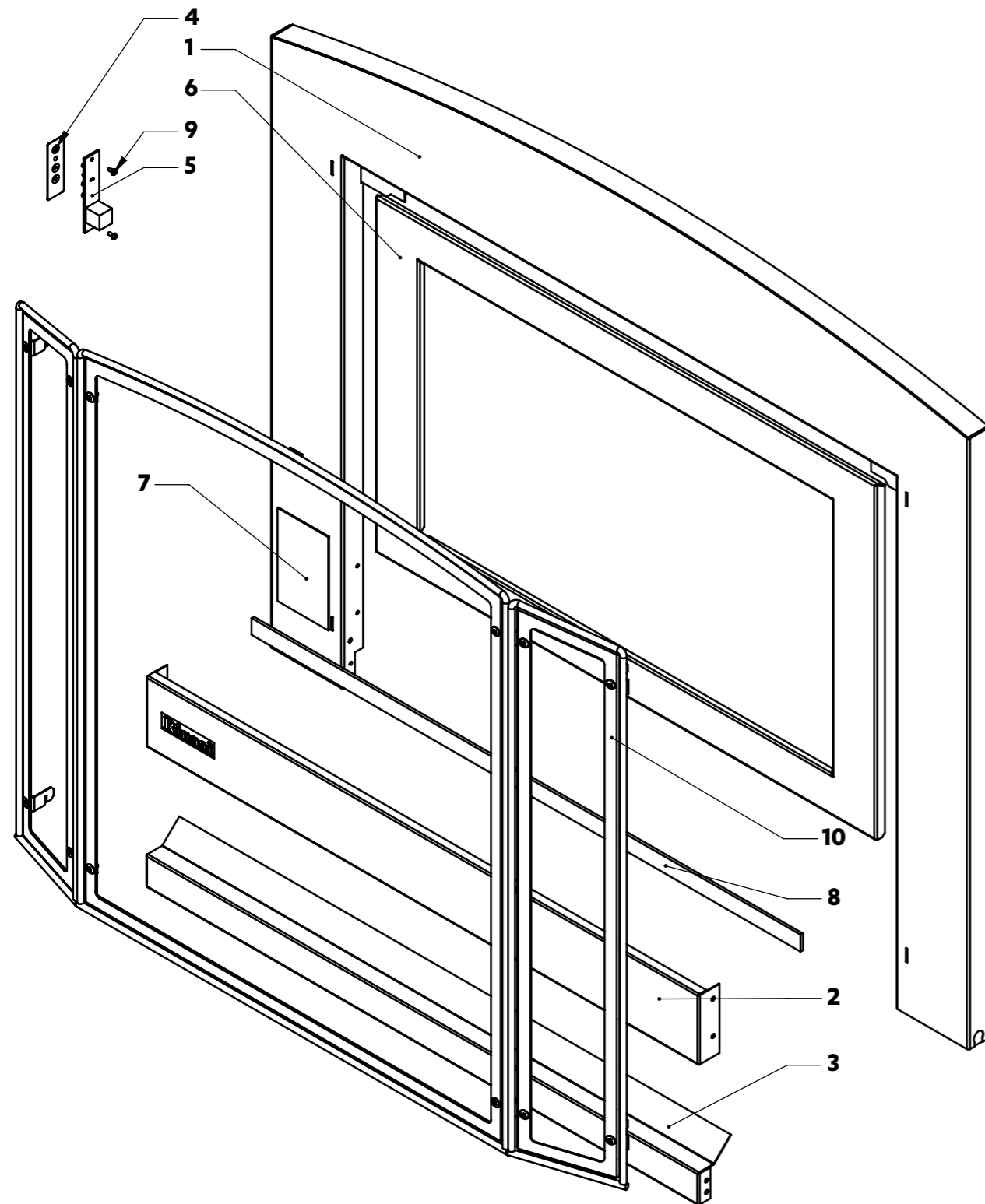
Standard frame

Ref.	Description	Qty.	Part No.
1*	Frame replacement: Galaxy black	1	11970
1*	Frame replacement: Stainless	1	11971
1*	Frame replacement: Galaxy black with stainless steel trim	1	11972
2	Glass guard replacement	1	11973
3	Inner frame replacement: Stainless steel	1	11974
3	Inner frame replacement: Black	1	11975
4	Control label C2	1	11913
5	Manual control switch C2	1	11912
6	Grommet set 4 glass standoff	1	11977
7	Standoff replacement set	1	11976
-	Glass seal tape 2 m replacement kit	1	R7010

* The frame replacement also includes part 11912 (manual control switch), and 11913 (control label)

Neo (RIB2311) gas fireplace

This diagram is provided to assist you to identify parts if replacement is necessary. Contact your place of purchase or the manufacturer to enquire about parts, availability and/or service.



Inbuilt Classic Premium frame

Ref.	Description	Qty.	Part No.
1	Classic front outer assembly painted	1	12120J
2	Front panel upper black	1	11880J
3	Front panel lower black	1	11882J
4	Control label C2	1	11913
5	Manual control switch C2	1	11912
6	Glass frame black	1	11893B
7	Label warning portrait black	1	6595
8	Foam tape inseal 1 m	1	12398
9	Screw 2-pan head tapping	2	9150
10	Classic guard assembly wire frame silver (used in R2323)	1	12123SH
10	Classic guard assembly wire frame bronze (used in R2324)	1	12123BZ