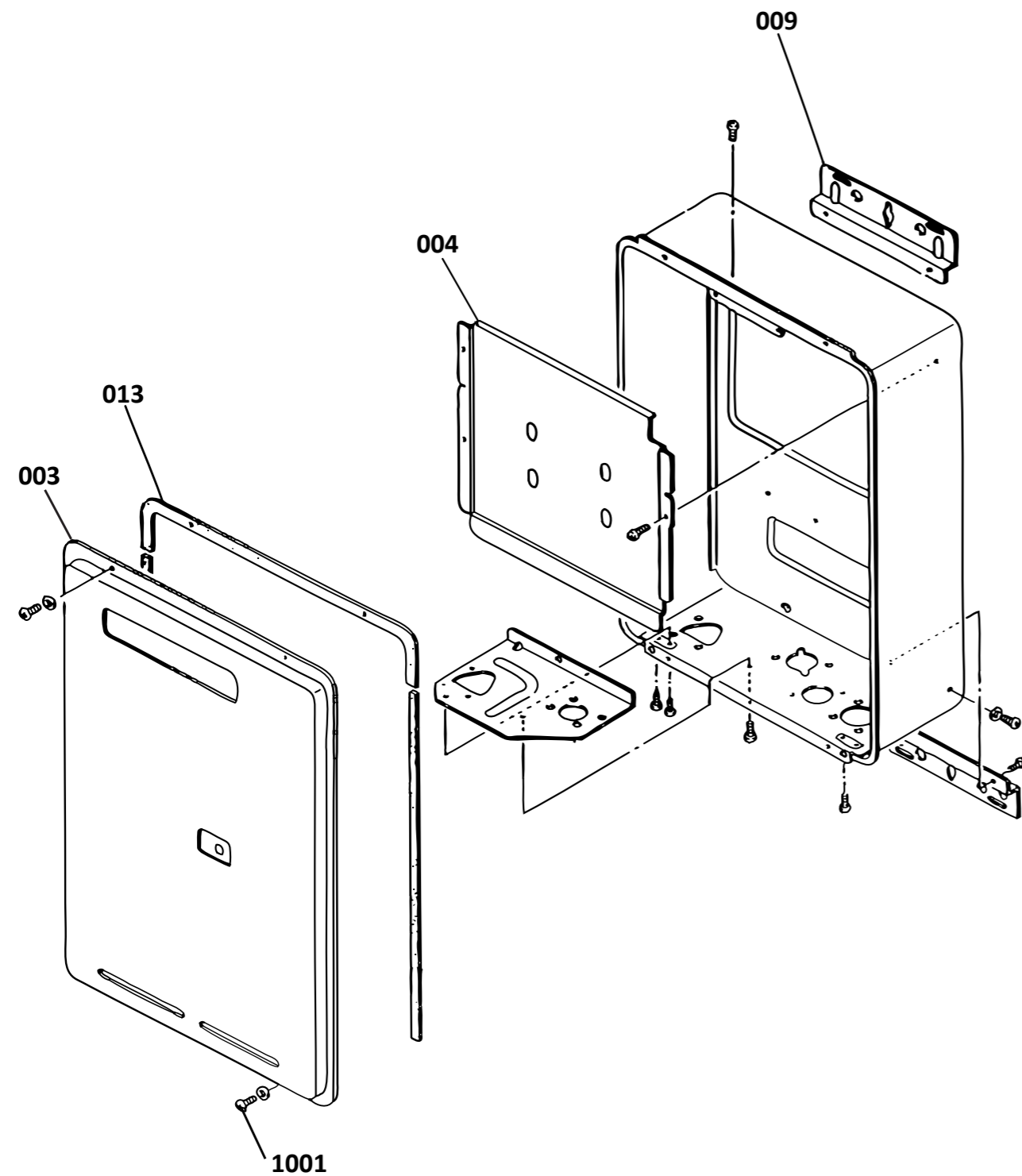


INFINITY 16 (REU-1616W) external water heater

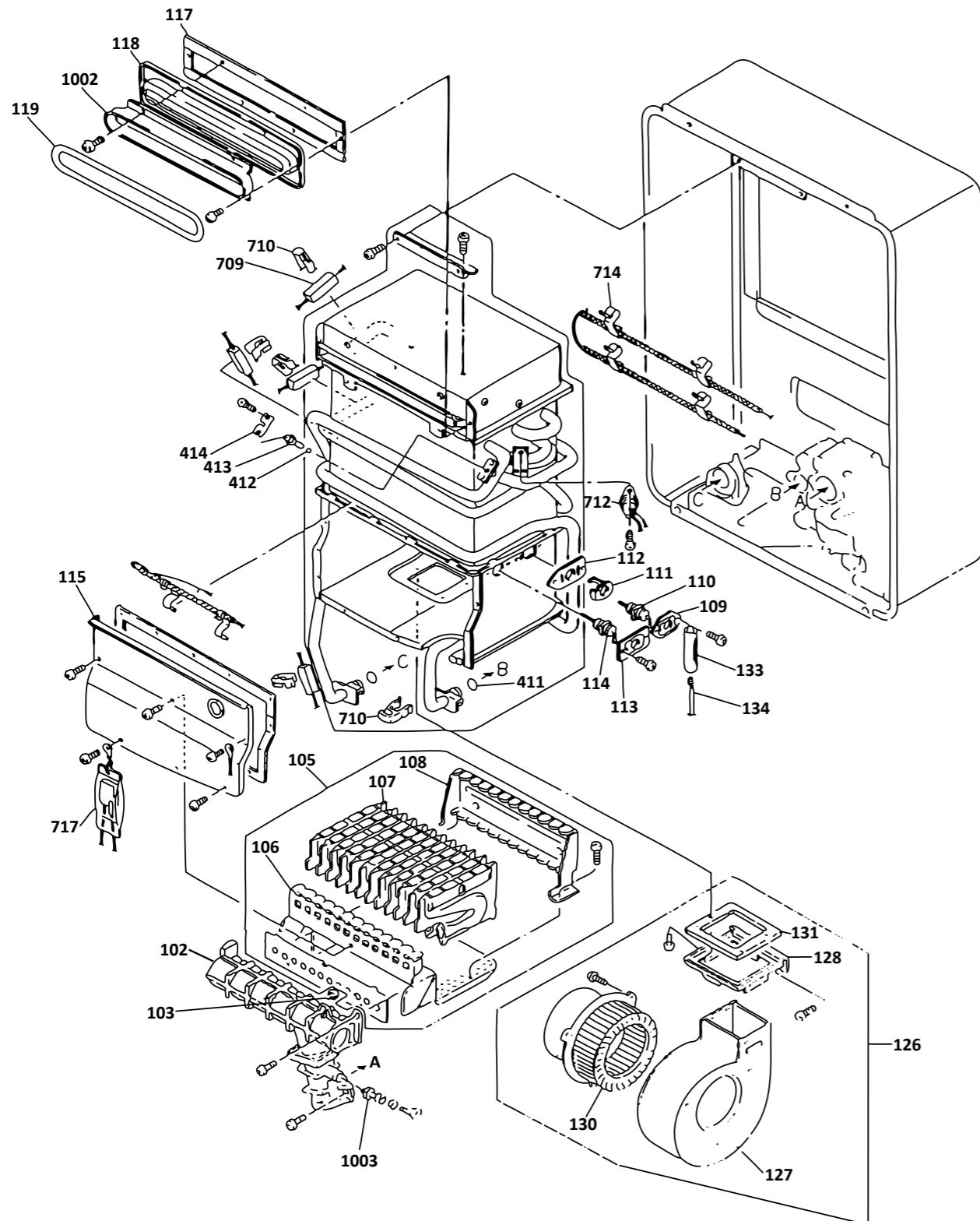
This diagram is provided to assist you to identify parts if replacement is necessary. Contact your place of purchase or the manufacturer to enquire about parts, availability and/or service.



Ref.	Description	Qty.	Part No.
003	Front panel assembly	1	3003
004	Heat shield	1	Not available
009	Wall bracket	2	3859
013	Main body packing - top	1	3572
1001	Truss screw	1	Not available

INFINITY 16 (REU-1616W) external water heater

This diagram is provided to assist you to identify parts if replacement is necessary. Contact your place of purchase or the manufacturer to enquire about parts, availability and/or service.

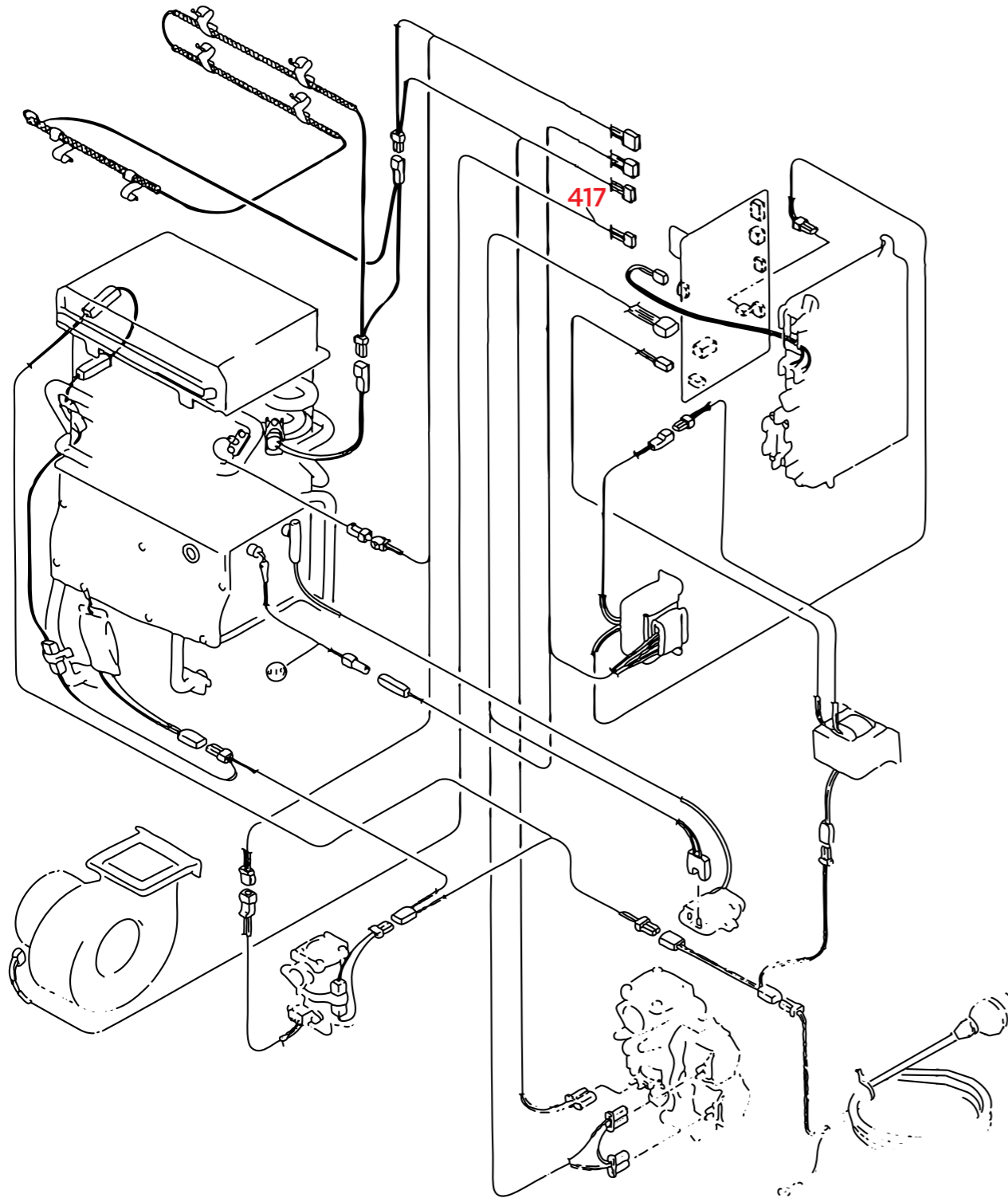


Ref.	Description	Qty.	Part No.
102	Manifold	1	Not available
103	Main injector LPG (1.00)	12	Not available
103	Main injector NG (1.70)	12	3814
105	Burner unit LPG/NG	1	Not available
106	Burner box front	1	Not available
107	Burner 2408	12	3393
108	Burner box rear panel	1	Not available
109	Electrode clip	1	3471
110	Electrode	1	3016
111	Ignition target	1	3438
112	Electrode packing	1	3017
113	Flame rod clip	1	Not available
114	Flame rod	1	3018
115	Combustion chamber front panel	1	Not available
117	Exhaust outlet packing	1	Not available
118	Exhaust outlet	1	Not available
119	Front panel seal packing	1	Not available
126	Fan assembly	1	Not available
127	Fan casing	1	Not available
128	Fan bracket	1	Not available
130	Fan	1	Not available
131	Fan bracket seal	1	3025
133	Electrode sleeve	1	3395
134	High tension lead	1	Not available
411	Heat exchanger o-ring	1	3965
412	Thermistor o-ring	1	3832
413	Heat exchanger water temp. thermistor	1	3029
414	Thermistor clip	1	3882
709	Anti frost heater	1	3854
710	Heater mounting plate	4	2899
712	Overheat switch	1	3045
714	Fuse clip A	6	2869
717	Frost sense switch	1	3976
1002	Wind shield	1	Not available
1003	Pressure test point	1	Not available

INFINITY 16 (REU-1616W) external water heater

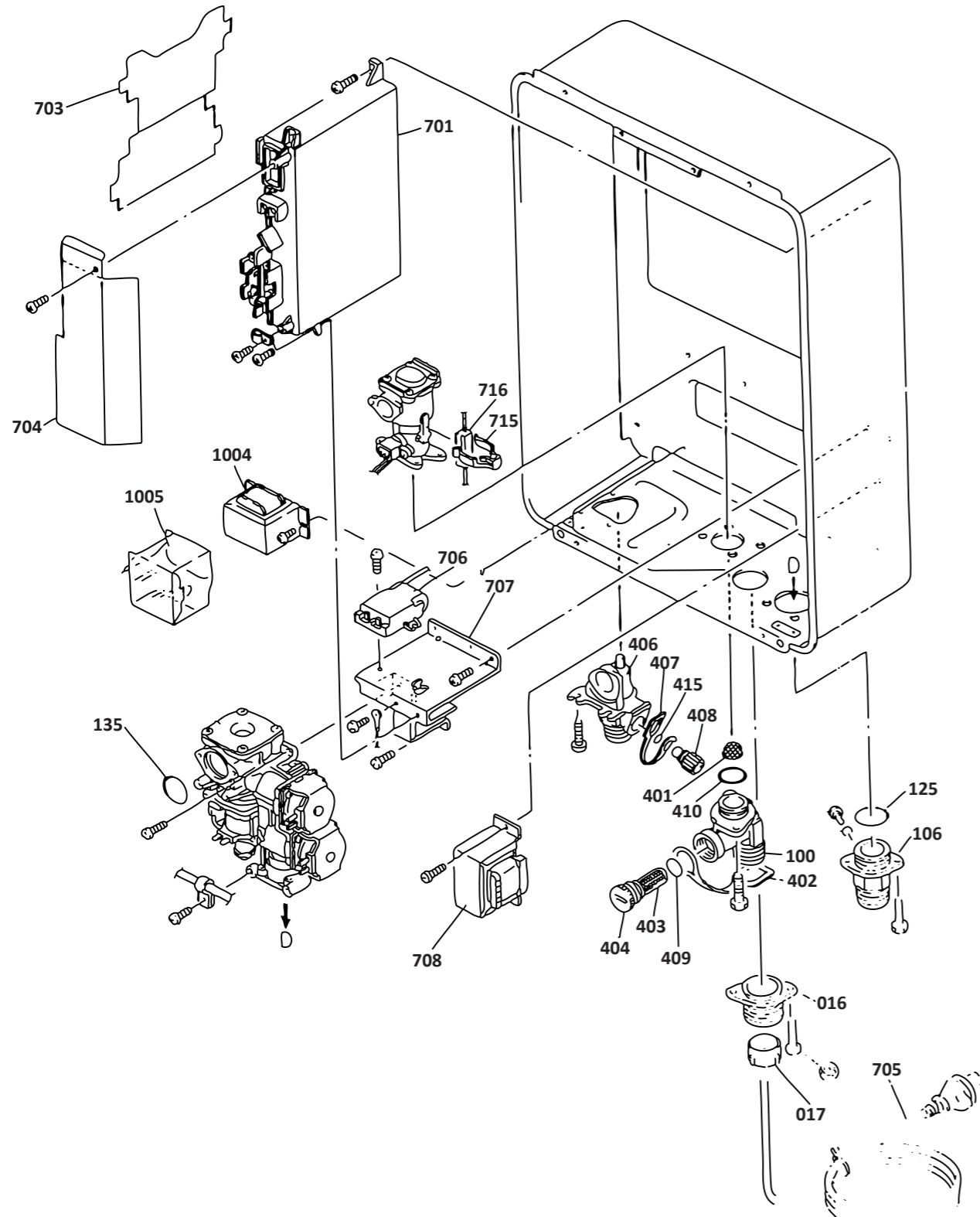
This diagram is provided to assist you to identify parts if replacement is necessary. Contact your place of purchase or the manufacturer to enquire about parts, availability and/or service.

Ref.	Description	Qty.	Part No.
417	Fan motor harness	1	3034



INFINITY 16 (REU-1616W) external water heater

This diagram is provided to assist you to identify parts if replacement is necessary. Contact your place of purchase or the manufacturer to enquire about parts, availability and/or service.



Ref.	Description	Qty.	Part No.
016	Cable connection	1	3896
017	Cable seal packing	1	3551
100	Gas connection	1	3836
106	Burner box front	1	Not available
125	Gas inlet o-ring	1	3559
135	Gas valve o-ring	1	3012
-	Water inlet connection	1	3527
401	Filter	1	3048
402	Plug band	1	Not available
403	Cold water filter	1	3839
404	Filter plug	1	3609
406	Hot water connection	1	Not available
407	Hot water supply clip	1	Not available
408	Drain-off valve	1	3870
409	Water filter o-ring	1	1245
410	Water inlet o-ring	1	3627
415	Pressure relief o-ring	1	1031
701	PCB	1	3039
703	PCB cover - side	1	3040
704	PCB cover - front	1	3041
705	Electrical cord	1	2695
706	Sparker	1	Not available
707	Gas control bracket	1	Not available
708	Transformer	1	3043
715	Heater mounting plate	1	3399
716	Anti frost heater	1	2035
1004	Transformer	1	3061
1005	Transformer cover	1	3067