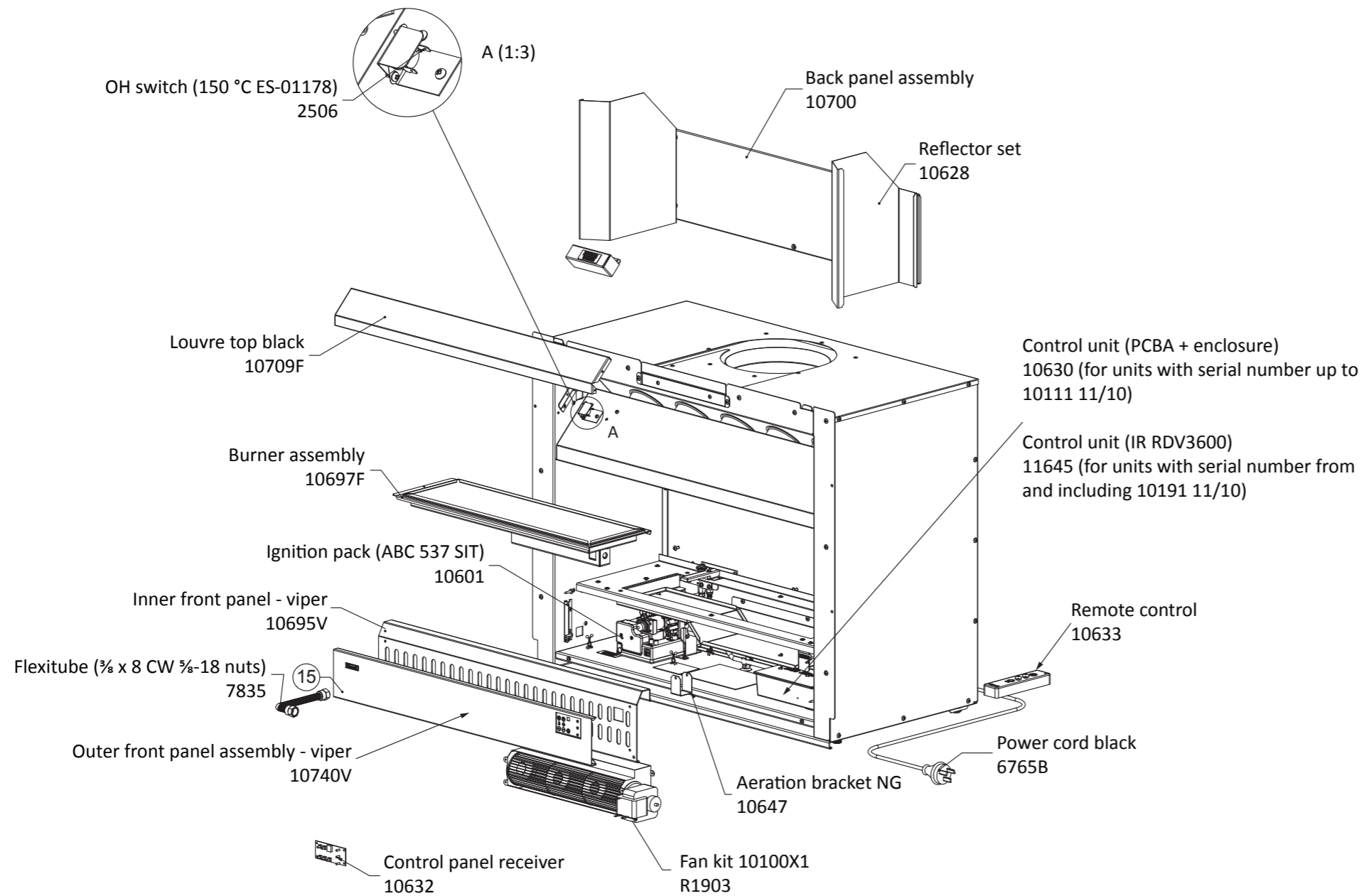


Rinnai | Lumina 800 (IBOF800) gas fireplace

This diagram is provided to assist you to identify parts if replacement is necessary. Contact your place of purchase or the manufacturer to enquire about parts, availability and/or service.



| Parts not shown in exploded diagram | |
|---|----------|
| Description | Part No. |
| Harness (MVL fan two SP W earth) | 10300 |
| Cable CAT5 x 500 mm | 10631 |
| Wiring harness main (for units with serial no. up to 10191 11/10) | 10640 |
| Wiring harness main IR control (for units with serial no. from and including 10191 11/10) | 11657 |
| Ignition lead | 10644 |
| Flame rod lead | 10645 |
| Harness OH switch | 10654 |
| OH switch adaptor RDV3610 IBO | 11594 |
| Accessories | |
| Black touch-up spray paint | R1885 |
| Spacer (also known as the spider—connects the flue and gas cowl) | R2311 |
| Lumina 800 stainless steel fascia | R2810 |
| Lumina 800 black fascia | R2811 |
| Granule pack (common to all fires) | 2544 |

Rinnai | Lumina 800 (IBOF800) gas fireplace

This diagram is provided to assist you to identify parts if replacement is necessary. Contact your place of purchase or the manufacturer to enquire about parts, availability and/or service.

