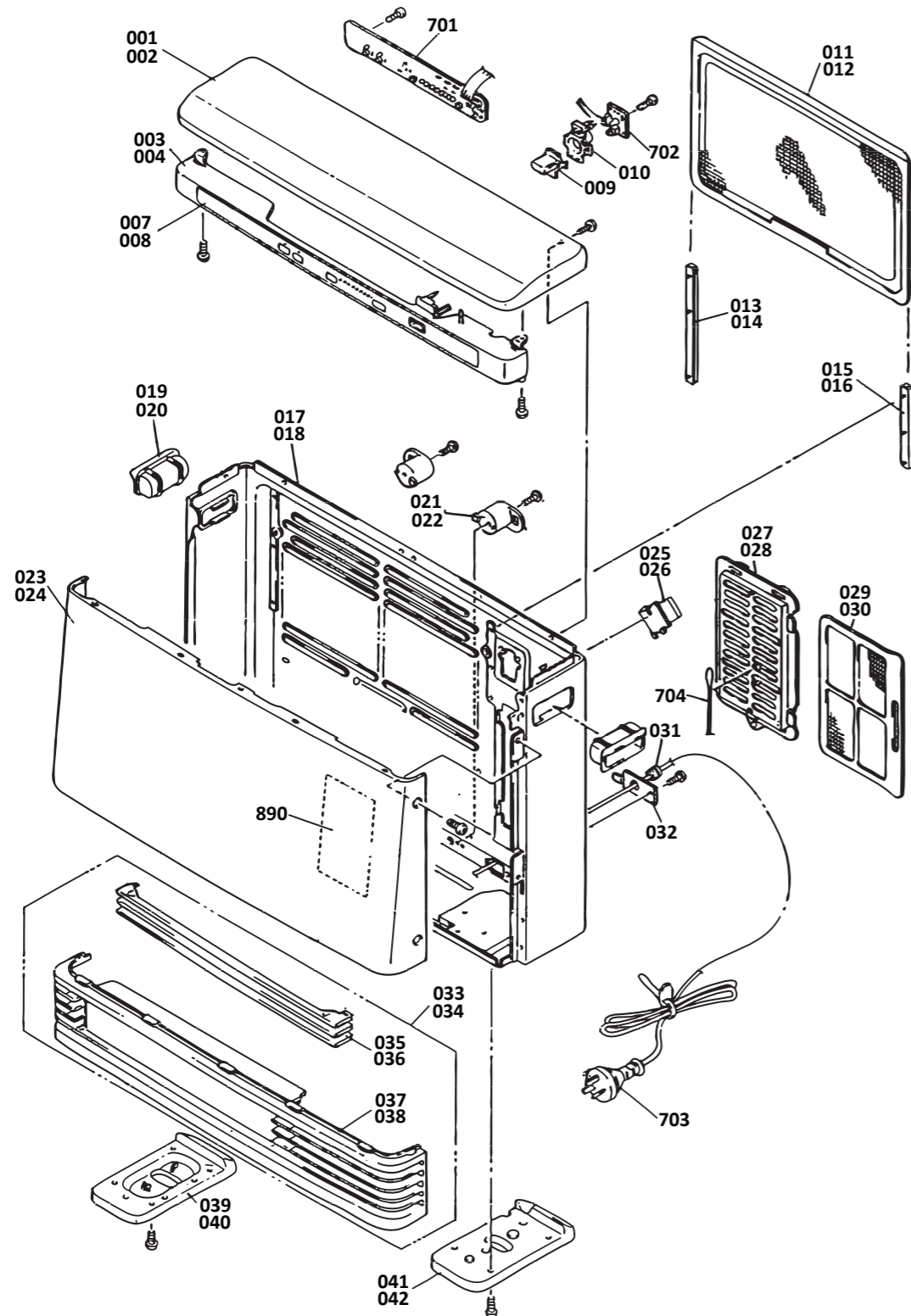


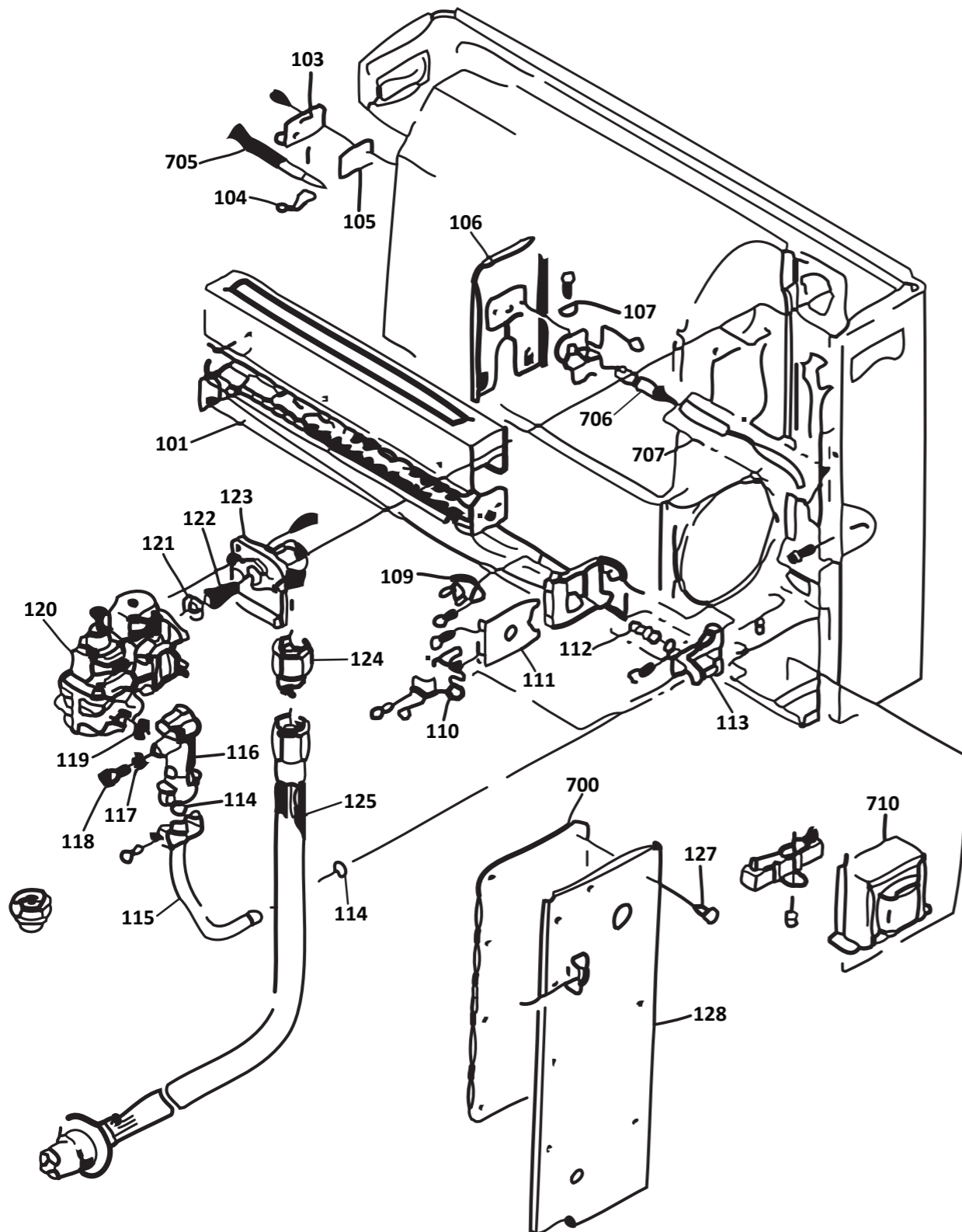
This diagram is provided to assist you to identify parts if replacement is necessary. Contact your place of purchase or the manufacturer to enquire about parts, availability and/or service.



Ref.	Description	Part No.
-	Titanium = dull grey	
-	Gunmetal = shiny grey	
001	Top panel off white	1702
002	Top panel shiny grey	1800
003	Control panel off white	1804
004	Control panel shiny grey	1816
007	Escutecheon label off white	1705
008	Escutecheon label shiny grey	Not available
009	On/off button	1835
010	Reflector	1836
011	Air filter off white	1837
012	Air filter shiny grey	1844
013	Air filter bracket off white	1813
014	Air filter bracket shiny grey	1814
015	Air filter bracket off white	1821
016	Air filter bracket shiny grey	1823
017	Rear panel off white (pre 96)	1846
017	Rear panel off white (post 96)	1885
018	Rear panel shiny grey (pre 96)	1853
018	Rear panel shiny grey (post 96)	1884
019	Handle off white (2)	1856
020	Handle shiny grey (2)	1858
021	Power cord holder off white (2)	6445
022	Power cord holder shiny grey (2)	1773
023	Front panel off white	1859
024	Front panel shiny grey	1860
025	Hose clip off white	1938
026	Hose clip shiny grey	Not available
027	PCB filter case off white	1862
028	PCB filter case shiny grey	1760

Ref.	Description	Part No.
029	PCB filter off white	1761
030	PCB filter shiny grey	1762
031	Power cord bush	2048
032	Power cord fixing bracket	Not available
033	Louvre assembly off white	Not available
034	Louvre assembly shiny grey	Not available
035	Louvre insert off white (3)	1763
036	Louvre insert white (3)	1764
037	Louvre frame off white	1765
038	Louvre frame black	1866
039	Foot LH off white	1767
040	Foot LH shiny grey	1768
041	Foot RH off white	1769
042	Foot RH shiny grey	1770
701	Control PCB	1792
702	On/off switch PCB	1793
703	Power cord (pre 96)	2695
703	Power cord (post 96)	3115
704	Thermistor	1795

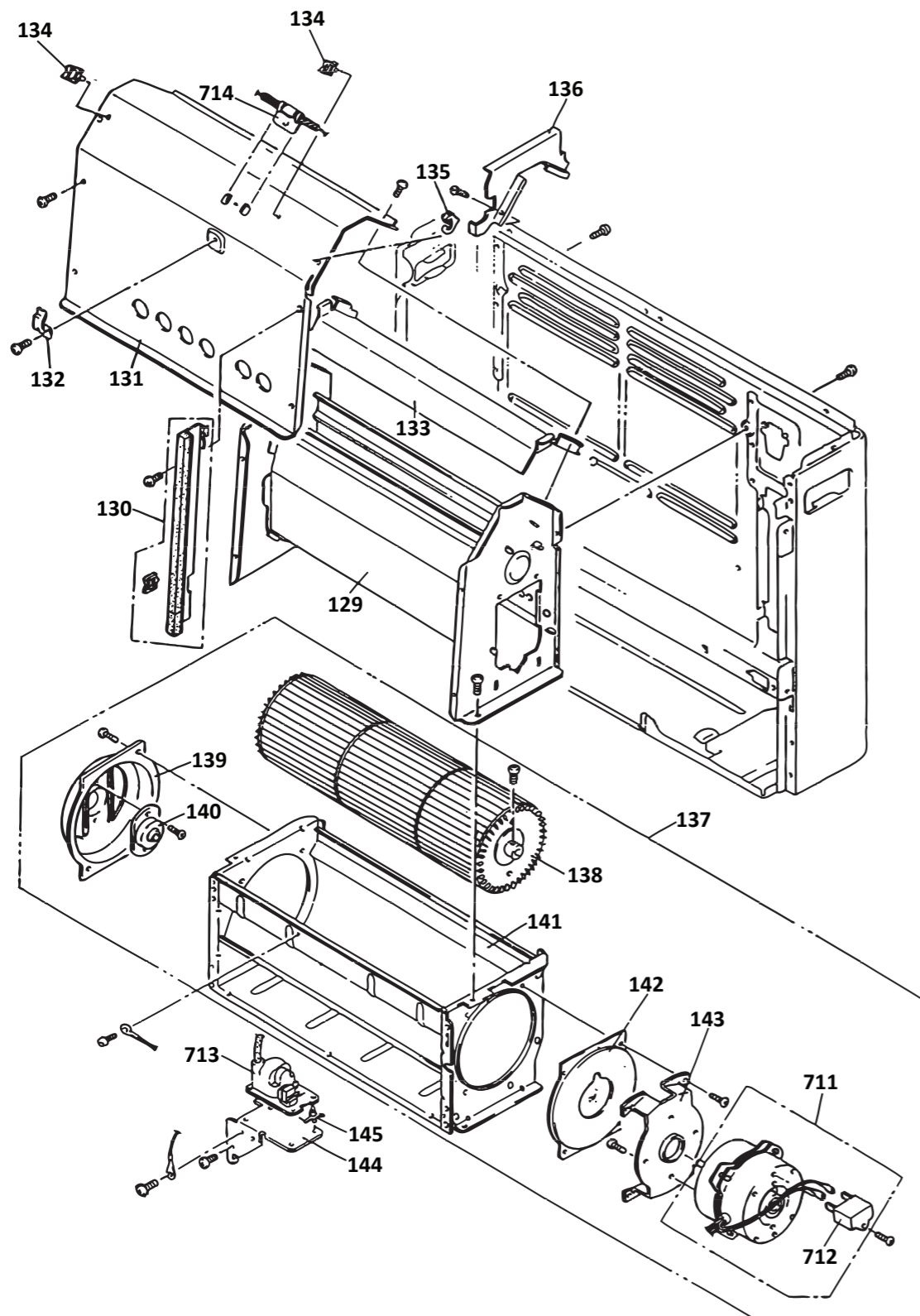
This diagram is provided to assist you to identify parts if replacement is necessary. Contact your place of purchase or the manufacturer to enquire about parts, availability and/or service.



Ref.	Description	Part No.
101	Burner NG	1771
101	Burner LPG	1772
102	Aeration cover NG	Not available
102	Aeration cover LPG	Not available
103	Thermocouple bracket NG	1857
103	Thermocouple bracket LPG	1829
104	Thermocouple clip	Not available
105	Thermocouple spacer LPG (2)	1775
106	Burner cover	Not available
107	Electrode clip	2161
108	Electrode fixing bracket	Not available
109	OHS 80° off	1778
110	Injector & gas tube clip	Not available
111	Restrictor NG/LPG	1780
112	Main injector NG 2.25 mm	1870
112	Main injector LPG 1.5 mm	1782
113	Injector holder	1966
114	O-ring (2)	1783
115	Gas supply tube	1784
116	Manifold	Not available
117	Pressure point packing	9995
118	Pressure test point screw	9994
119	O-ring	1967
120	Gas control valve	1785
121	Packing	1732
122	Gas filter	2791
123	Gas inlet flange	1865
124	Gas inlet bush	5065
125	Hose	R2586HM
127	Circuit board spacer (11)	Not available

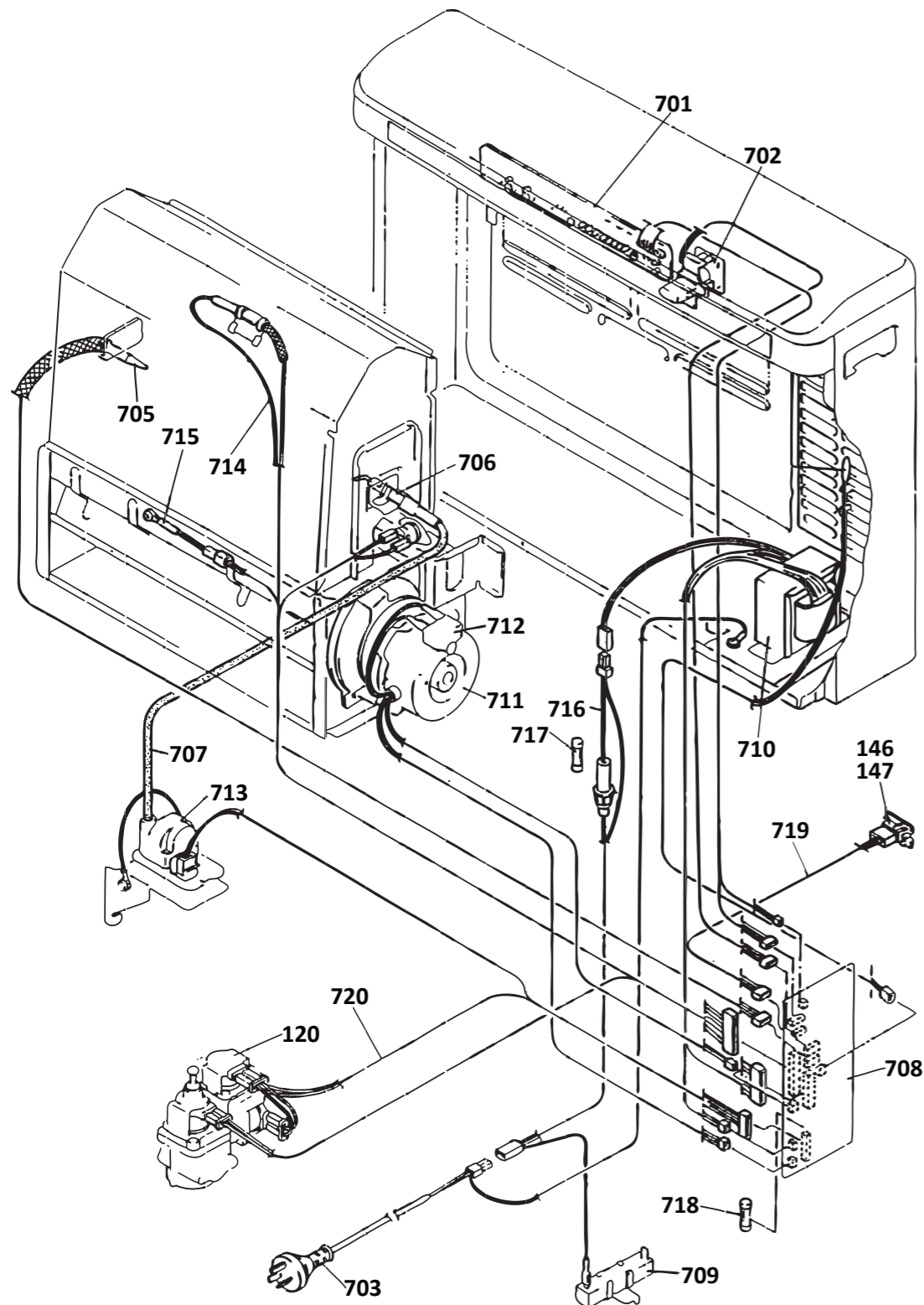
Ref.	Description	Part No.
128	PCB bracket	Not available
705	Thermocouple	1797
706	Electrode	1864
707	High tension lead	4454
708	Main PCB (pre 96)	Not available
708	Main PCB (post 96)	1866
710	Transformer (pre 96)	1868
710	Transformer (post 96)	1975

This diagram is provided to assist you to identify parts if replacement is necessary. Contact your place of purchase or the manufacturer to enquire about parts, availability and/or service.



Ref.	Description	Part No.
129	Combustion chamber	Not available
130	Combustion chamber divider	Not available
131	Combustion chamber hood	Not available
132	Comb. chamber retaining bracket	Not available
133	Comb. chamber distribution panel	Not available
134	Wire saddle (2)	2156
135	Edge holder	1880
136	Comb. chamber upper divider	Not available
137	Convection fan assembly	1863
138	Convection fan	1791
139	End housing	Not available
140	Fan bearing	2101
141	Convection fan case	Not available
142	Convection fan motor cover	Not available
143	Convection fan base	Not available
144	Sparker bracket	Not available
145	Circuit board spacer (4)	1886
711	Convection fan motor	1869
712	Capacitor	1888
713	Sparker	1871
714	Thermal fuse harness	1872

This diagram is provided to assist you to identify parts if replacement is necessary. Contact your place of purchase or the manufacturer to enquire about parts, availability and/or service.



Ref.	Description	Part No.
120	Gas control valve	1785
140	Fan bearing	2101
146	TC check holder off white (pre 96)	1881
146	TC check holder off white (post 96)	Not available
147	TC check holder shiny grey (pre 96)	1883
147	TC check holder shiny grey (post 96)	Not available
701	Control PCB	1792
702	On/off switch PCB	1793
703	Power cord (pre 96)	2695
703	Power cord (post 96)	3115
705	Thermocouple	1797
706	Electrode	1864
707	High tension lead	4454
708	Main PCB (pre 96)	Not available
708	Main PCB (post 96)	1866
710	Transformer (pre 96)	1868
710	Transformer (post 96)	1975
711	Convection fan motor	1869
712	Capacitor	1888
713	Sparker	1871
714	Thermal fuse harness	1872
715	HI limit thermistor	1874
718	240 V 3 A glass tube fuse	Not available
719	TC check holder (pre 96)	1889
719	TC check holder (post 96)	Not available
720	SV sparker harness	1878
721	Surge protector PCB (post 96)	2299
722	Fuse (post 96)	Not available
-	Wiring diagram	1879
-	Surge absorber (pre 96)	1867
-	Connecting harness (pre 96)	1876