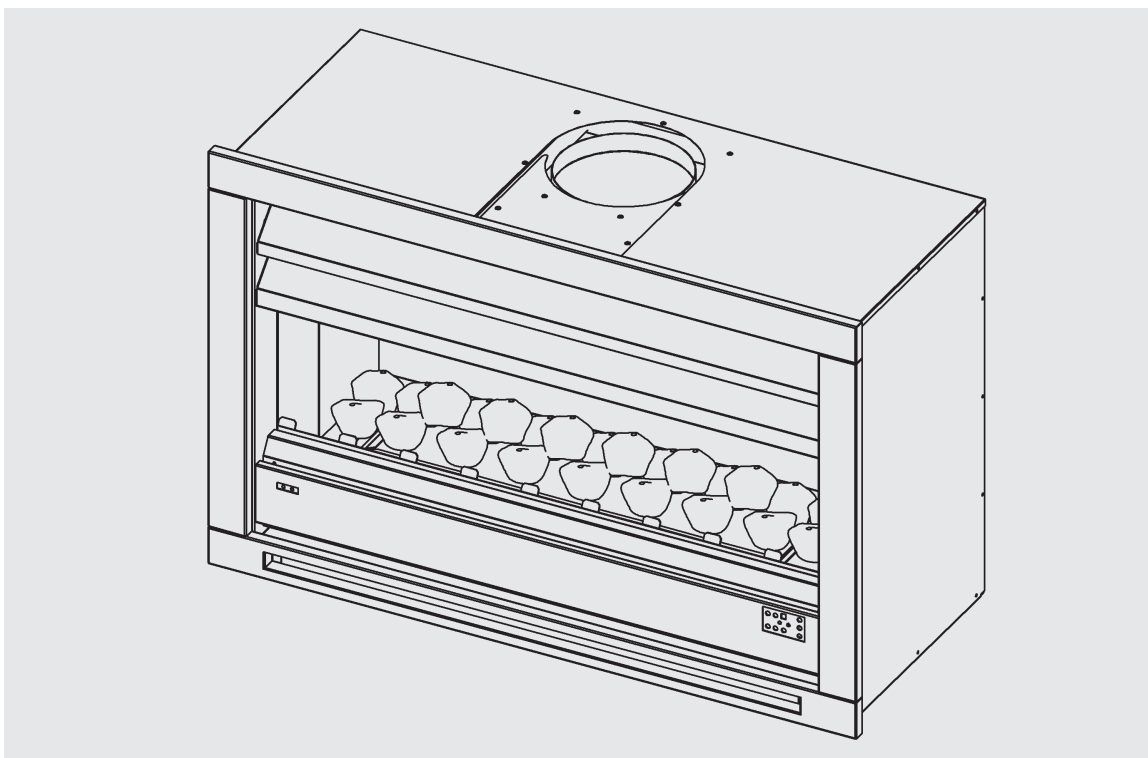


RINNAI

Lumina

Open Fire Operation Manual and Installation Guide



This appliance shall be installed in accordance with:

- Manufacturer's Installation Instructions
- Local Gas Fitting Regulations
- Municipal Building Codes
- A.G.A. Installation Code AG601/AS5601/NZS:5261 Gas Installations
- Any other local relevant statutory Regulation

This product is only to be installed with an approved Rinnai flue system.

It is primarily a decorative appliance not certified as a space heater.

Installation and Service must be performed by an authorised person.

INSTALLER: PLEASE LEAVE THIS MANUAL WITH THE CUSTOMER
AFTER INSTALLATION
OWNER: PLEASE RETAIN THIS MANUAL FOR FUTURE REFERENCE

Rinnai
EXPERIENCE OUR INNOVATION

LIMITED WARRANTY

Rinnai Lumina Decorative Open Fire

Rinnai brings you peace of mind
with a 2 year minimum warranty.

TERMS AND CONDITIONS

1. During the 24 month period from date of purchase and subject to clauses 2 and 3 below, Rinnai New Zealand Limited ("Rinnai") will, at its own discretion, either replace or repair any defective product at no charge to the customer.
2. This warranty covers manufacturing defects only. This warranty will not apply if (for example) the product has been improperly installed or is otherwise installed contrary to manufacturer's recommendations, has been damaged during or after installation, has not been operated in accordance with operating instructions, or has been subjected to damage or abuse beyond that expected from conditions of normal use.
3. Warranty claims may be invalid if not accompanied by details of the installing or supervising gas fitter's registration number and the gas fitting certification number.
4. This warranty commences from the date of purchase. Proof of purchase is required at the time of any warranty claim.
5. Servicing of the product is to be carried out by a Rinnai authorised service centre.

All Rinnai appliances meet or exceed the safety standards required by New Zealand gas and electrical regulations. The company is constantly improving its products and as such specifications are subject to change or variation without notice.

Please keep these instructions in a safe place for future reference.

RECORD AND ATTACH YOUR PROOF OF PURCHASE BELOW:

Your Retailer: _____

Name: _____

Address: _____

Telephone: (_____) _____

Date of Purchase: _____ / _____ / _____



now that's smart!

Operating Manual

This Operating Manual applies to the following Rinnai Inbuilt Open Fires:

LUMINA800BL / LUMINA1000BL	Lumina Black LPG
LUMINA800BN / LUMINA1000BN	Lumina Black Natural Gas
LUMINA800SSL / LUMINA1000SSL	Lumina Stainless Steel LPG
LUMINA800SSN / LUMINA1000SSN	Lumina Stainless Steel Natural Gas

WARNING

IMPROPER INSTALLATION, ADJUSTMENT, ALTERATION, SERVICE OR MAINTENANCE CAN CAUSE PROPERTY DAMAGE, PERSONAL INJURY OR LOSS OF LIFE. FOR ASSISTANCE OR ADDITIONAL INFORMATION CONSULT AN AUTHORISED TECHNICIAN OR RINNAI ON 0800 RINNAI (0800 746 624).

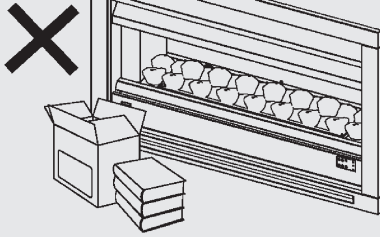
INSTALLATION AND SERVICE MUST BE PERFORMED BY AN AUTHORISED PERSON.

Table of Contents

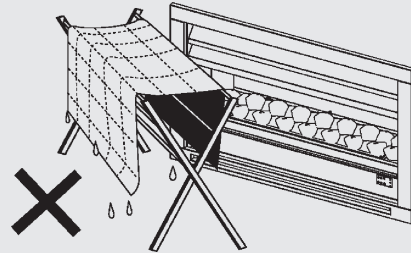
Limited Warranty	2
Customer Information - Safety Points.....	4
Customer Information - Operation	5
Customer Information - Important Points.....	6
Customer Information - Specifications.....	7
Customer Information - Troubleshooting	8
Installer Information - Dimensions	9
Installer Information - Location.....	10
Installer Information - Framing Dimensions.....	11
Installer Information - Combustible Surface Clearance and Bend Flue Installation	11
Installer Information - Flue Installation	12
Installer Information - Installation Procedure	13
Installer Information - Installation Procedure Cont'd	14
Installer Information - Gas Connection	14
Installer Information - Electrical Connection	15
Installer Information - Coals/River Stones	15
Installer Information - Test and Commission.....	16
Installer Information - Test and Commission Cont'd	17
Installer Information - Technical Specifications.....	17
Installer Information - Wiring diagram	18
Installation/Commissioning Checklist.....	19
Installer Details.....	19
Customer Contacts	20

Customer Information - Safety Points

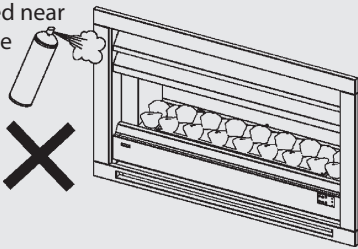
Do not restrict the warm air discharge by placing articles in front of the appliance.



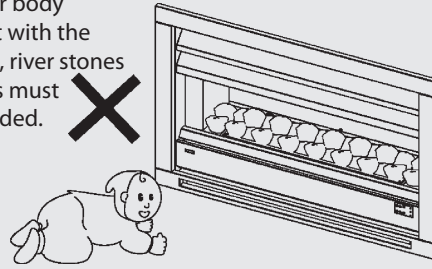
This appliance must not be used for any purpose other than decorative heating.



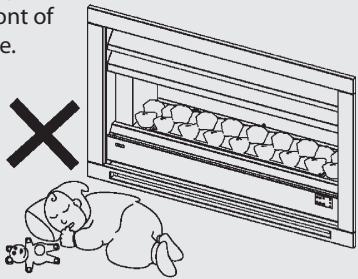
Do not spray aerosols whilst the appliance is operating. Most aerosols contain butane gas, which can be a fire hazard if used near the appliance when it is in use.



Young children should be supervised at all times. Hand or body contact with the louvres, river stones or coals must be avoided.



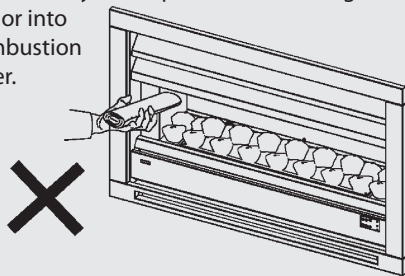
Do not allow young children or the infirm to sleep directly in front of the appliance.



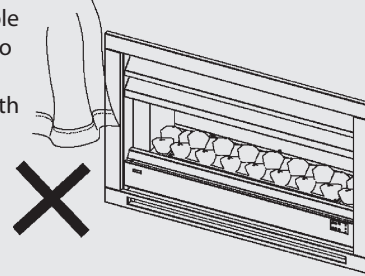
Do not allow anyone to sit on or lean against the appliance.



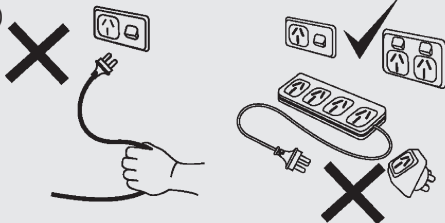
Do not allow anyone to post articles through the louvres or into the combustion chamber.



Do not allow curtains or other flammable or combustible materials to come into contact with appliance.

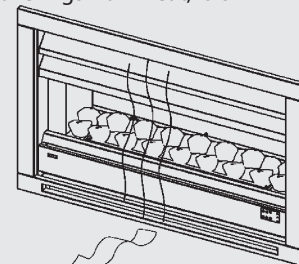


Do not unplug the appliance while it is in operation. (Unplugging the appliance will switch it off and will reset the appliance to its default settings; low combustion and fan off.)



A dedicated 230~240V 10 Amp power point must be used with this appliance. Do not use power boards or double adaptors to operate this appliance.

Some floorings will react to heat. Therefore to prevent discolouration of floor coverings from heat, it is recommended that a mat be placed in front of the appliance when it is in operation.



When the appliance is operated for the first time or after long periods of non-use a slight odour may be emitted. This is normal, however if odours persist switch off the appliance and contact Rinnai.

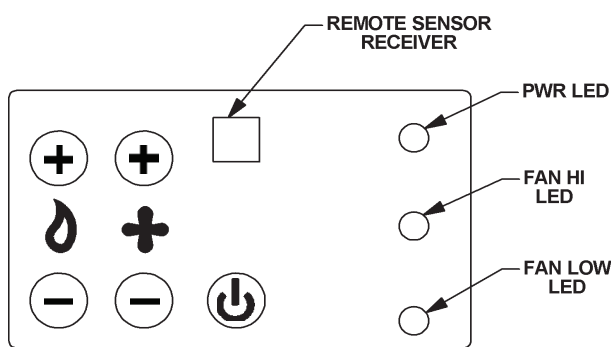
DO NOT PLACE ARTICLES ON OR AGAINST THIS APPLIANCE. DO NOT USE OR STORE FLAMMABLE MATERIALS NEAR THIS APPLIANCE. DO NOT SPRAY AEROSOLS IN THE VICINITY OF THIS APPLIANCE WHILST IT IS IN OPERATION.


Customer Information - Operation

IMPORTANT NOTE:

Failure to follow these instructions could cause a malfunction of the appliance, which could result in death, serious bodily injury, and/or property damage. Failure to follow these instructions may also void your fire insurance and/or warranty.

The Control Panel is located on the right hand side of the Front Panel.



- **Power** 

Press and Release the Pwr Button. This will start the electronic spark and the Pwr LED (Top) will be illuminated permanently. The Pilot will ignite first, followed by the Ceramat Burner. Pressing and releasing the Power Button again will switch off the appliance.

Next time the appliance is turned ON, the control system will resume the previous Flame and Fan settings unless the appliance was switched off due to power failure. In case of power failure the Control System will return to the Default setting which is Low Flame and Fan OFF.

Under gas failure conditions, the appliance will go into Lock Out condition after sparking for 1 minute (approx). Under Lock Out condition the Power LED will remain illuminated. To start the appliance again press and release the Power Button twice after the gas supply resumes.

Note: The appliance will not work without electrical power.

- **Flame** 

Press and hold Flame + Button to increase the Burner Flame. Press and hold - Button to decrease the Burner Flame. Pressing and Holding the + or - Flame Button for up to 15 sec (Approx) will increase or decrease the Burner Flame to Max or Min.

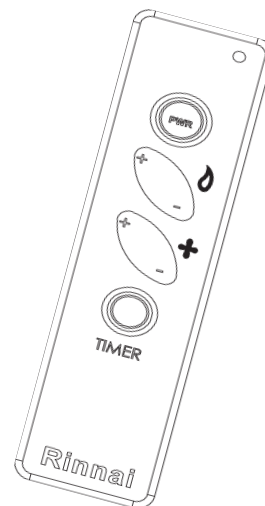
- **Fan Operation** 

This Decorative Fire has a two speed Fan and its operation is independent of the Burner setting.

Press and Release the Fan + or - Button to increase or decrease the Fan Speed. The bottom LED will be illuminated at Fan Low speed and the middle LED at Fan High speed.

Pressing and Releasing of the - Button when the fan is at low speed will turn the fan OFF.

- **Remote Control**



The Remote Control has all the features of the Control Receiver but also an additional Timer Function.

By pressing Timer Button once the Pwr LED will start flashing and after 30 minutes the appliance will shut off automatically.

Pressing the Timer Button again within 30 minutes of shut off time will reset the timer and the Pwr LED will stop flashing.

Customer Information - Important Points

Unpack the appliance and check for damage. **DO NOT INSTALL A DAMAGED APPLIANCE.** If the appliance is damaged, contact your supplier for advice. Before installing the appliance, check the label for the correct gas type (See gas type label on top of data plate and on Injector Block bracket). Refer to local gas authority for confirmation of the gas type if you are in doubt.

Included in the carton:

Open Fire Box, Decorative Fascia, Operation Manual and Installation Guide, Remote Control, 4 x AAA Batteries, Flexitube and Reducing Flare, 2 x Side Reflectors, Granules, Ornamental Coals or River Stones, and 2 x M4X12 black screws.

IMPORTANT

Before using this product, please read this manual carefully to ensure correct use.

The user shall be advised that appliances incorporating a live fuel effect, and designed to operate with luminous flames, may exhibit slight carbon deposits.

1. The appliance must be installed in accordance with the local gas and electrical authority regulations.
2. For information on gas consumption, see Customer Information Specifications.
3. Ensure that the area in which the appliance is installed has adequate fixed ventilation. This fixed ventilation must be provided as per AG601/AS5601 Clause 5.4 to 5.4.5/ NZ5261.
4. **DO NOT** connect to an LPG/Propane Gas cylinder indoors.
5. This appliance must not be installed where curtains or other combustible materials could come into contact with it. In some cases curtains may need restraining.
6. Appliance must not be located below a power socket-outlet.
7. Local gas and electrical authorities will be able to advise on local regulations.
8. This appliance discharges a large volume of warm air at low level to provide even heat distribution. If the air in the room contains cooking vapour or cigarette smoke, and the appliance is used on a carpet, the surface of the carpet may become discoloured. In addition, some nylon carpets contain dyes which may be affected by the warm air flow. Some soft vinyl surfaces are also subject to distortion, or discolouration by warm air. To prevent discolouration of carpets etc, a mat should be placed in front of the appliance extending about 75 cm in front of it.
9. The appliance is not intended for use by young children or infirm persons unless they are adequately supervised by a responsible person to ensure that they can use the appliance safely.
10. Young children should be supervised to ensure they do not play with the appliance.
11. If the supply cord is damaged or requires replacing, it must be replaced by the manufacturer or the manufacturer's agent or similarly qualified person in order to avoid a hazard.
12. Do not allow articles to be posted through the louvres or openings.
13. Do not spray aerosols near this appliance whilst it is in use. Most aerosols contain butane gas which can be a fire hazard if used near this appliance when in use. Use of aerosols, paint, polishes, etc whilst this appliance is in use may cause unpleasant smells.
14. Do not operate/install this appliance in places where painting is taking place, or in places such as hair dressing salons, where there may be a lot of fluff and dust, and where aerosols are used.

Customer Information - Important Points

15. Do not unplug the appliance while it is still in operation.
16. Do not turn off the appliance by unplugging it at the wall.
17. Do not place articles on or against this appliance.
18. Do not place clothes racks etc. directly in front of the appliance.
19. Do not store flammable materials near the appliance. Combustible materials must not be allowed where the appliance could ignite them.
20. The appliance may emit smoke when first started which may take up to 2 hours to disappear. This is part of the normal burning in process therefore ensure adequate ventilation during this period.
21. This appliance is not fitted with a guard. For protection of young children, precautions must be taken to reduce the risk of fire or injury from burns.

Customer Information - Specifications

Model:	LUMINA800BN / LUMINA800SSN (NG)									
	LUMINA800BL / LUMINA800SSL (LPG)									
	LUMINA1000BN / LUMINA1000SSN (NG)									
	LUMINA1000BL / LUMINA1000SSL (LPG)									
Description:	Inbuilt radiant/convector decorative open gas fire with fan forced convection and natural draft flue system									
Input:	<table><thead><tr><th>Product</th><th>LPG</th><th>Natural Gas</th></tr></thead><tbody><tr><td>Lumina 800</td><td>30MJ/hr</td><td>30MJ/hr</td></tr><tr><td>Lumina 1000</td><td>38 MJ/hr</td><td>40MJ/hr</td></tr></tbody></table>	Product	LPG	Natural Gas	Lumina 800	30MJ/hr	30MJ/hr	Lumina 1000	38 MJ/hr	40MJ/hr
Product	LPG	Natural Gas								
Lumina 800	30MJ/hr	30MJ/hr								
Lumina 1000	38 MJ/hr	40MJ/hr								
Gas Control:	SIT Modulating Gas Valve Control									
Burners:	Intermittent Pilot Burner, & Ceramat Main Burner									
Warm Air Discharge:	Top front louvres									
Flue:	Natural draft round flue (Ø200 Inner Ø250 Outer)									
Ignition:	Electronic spark									
Power Supply:	230~240v. 50Hz									
Data Plate Location:	Bottom panel, front left hand side									
Weight:	Lumina 800 65 kgs (packaged)									
	Lumina 1000 70 kgs (packaged)									

IMPORTANT NOTE:

Before installation commences, check the data plate and labelling on the appliance to ensure that it is the correct type to suit your gas.

If the appliance requires conversion to suit your gas, this must be carried out only by an Authorised Technician who has the Appropriate Gas Pressure Measuring Equipment.

Customer Information - Troubleshooting

SYMPTOM	CAUSE	SOLUTION
Burner will not light	No power present No gas present Power Cut Air in gas supply pipe Ignition failure	Ensure power cord is plugged in and turned on. Ensure gas supply is turned on. Re-ignite when power has been restored. Purge air (Installer). Repeat lighting procedure.
Smell of gas	Leaking gas	Turn off gas at meter or LPG/Propane cylinder and call installer.
Fan not working	Fan is off	When appliance is operating press Fan + Button to switch from off to Low speed. Press Fan + Button again to switch from Low to High speed.
Small soot deposit	Normal Operation	No action required.
Severe soot deposits on Coals / River Stones	Inadequate flue system Incorrect gas pressure Coals / River Stones not installed properly	Call Rinnai on 0800 Rinnai or an authorised Rinnai Service Centre.

- SAFETY DEVICE:

The appliance is fitted with an Overheat Safety Switch. Under overheating conditions this switch will shut off the appliance. If the appliance shuts off repeatedly it means it requires servicing.

- NOTE:

If you have any other faults or problems, please refer to your installer or call Rinnai on 0800 Rinnai.

- IMPORTANT:

Do not remove any panels or attempt to carry out any service work other than that mentioned in the trouble shooting chart.

The user shall be advised that appliances incorporating a live fuel effect, and designed to operate with luminous flames, may exhibit slight carbon deposits.

- SERVICE:

Rinnai has a service and spare parts network with personnel who are fully trained and equipped to give the best service on your Rinnai appliance.

If your appliance needs service, please ring the contact numbers located on the back of this instruction booklet.

Rinnai recommends that this appliance should be serviced annually by a qualified service technician, including inspection of the flue system.

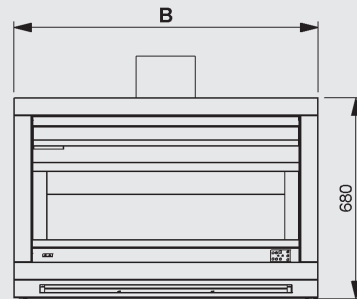
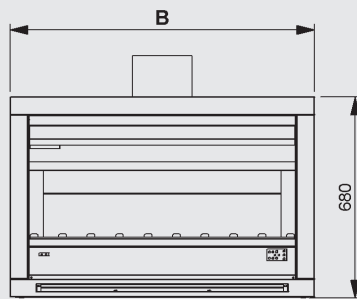
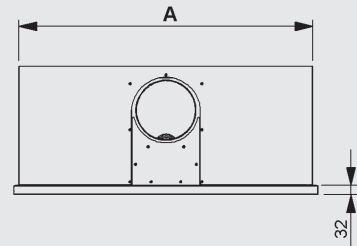
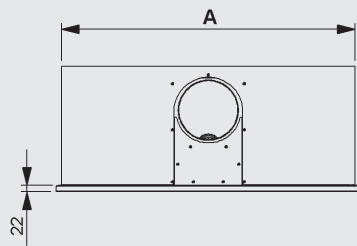
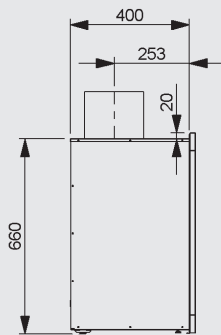
Installer Information - Dimensions

THIS BOOK CONTAINS IMPORTANT INFORMATION. PLEASE KEEP IT IN A SAFE PLACE FOR FUTURE REFERENCE.

THE MANUFACTURER RESERVES THE RIGHT TO CHANGE OR MODIFY SPECIFICATIONS WITHOUT NOTICE.

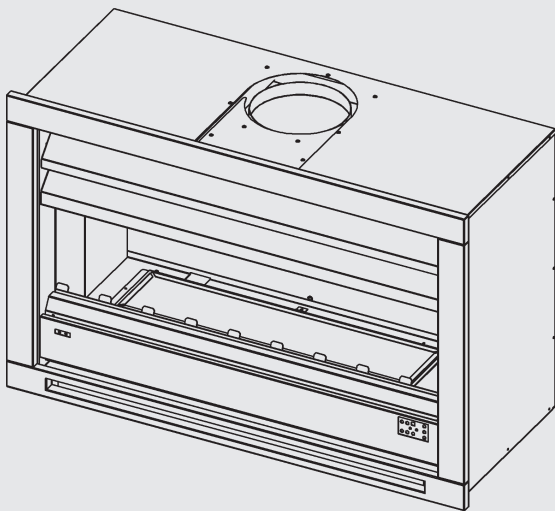
THIS INSTRUCTION MANUAL APPLIES TO: RINNAI INBUILT GAS FIRES - LUMINA 1000B, LUMINA 1000SS, LUMINA 8000B AND LUMINA 800SS

ALL DIMENSIONS IN MM		
PRODUCT	A	B
LUMINA 800	790	825
LUMINA 1000	990	1025

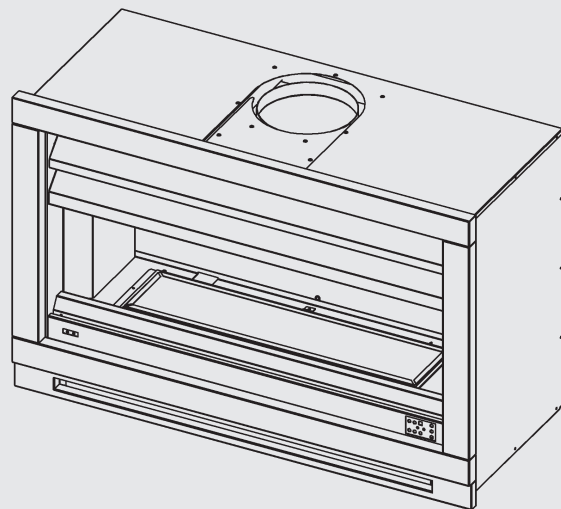


BLACK

STAINLESS STEEL



BLACK



STAINLESS STEEL

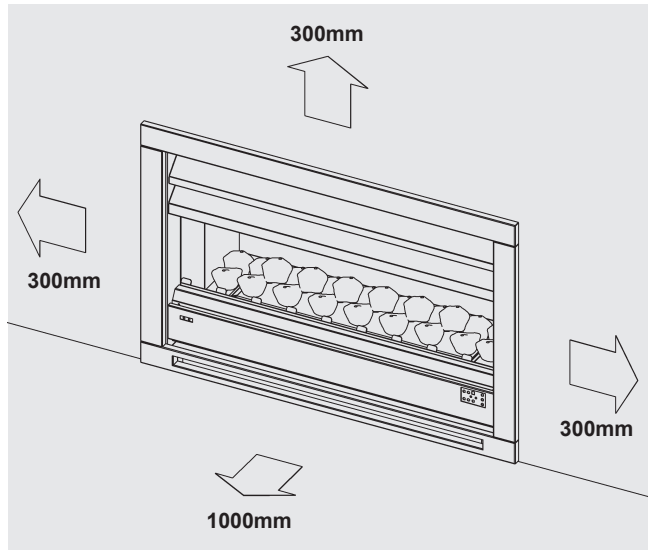
Installer Information - Location

The following pages contain information relating to Installation and Service. Installation and Service must be carried out by an authorised person only.

When positioning the appliance, the main points governing the location are:

1. Flue connection and terminal to comply with AG601/AS5601/NZ5261
2. Warm air distribution
3. Ensure that the area in which the appliance is installed has adequate fixed ventilation. This fixed ventilation must be provided as per AG601/AS5601 Clause 5.4 to 5.4.5/ NZ5261.
4. The appliance must not be installed where curtains or other combustible materials could come into contact with it. In some cases, curtains may need restraining.

See below for minimum clearances required.

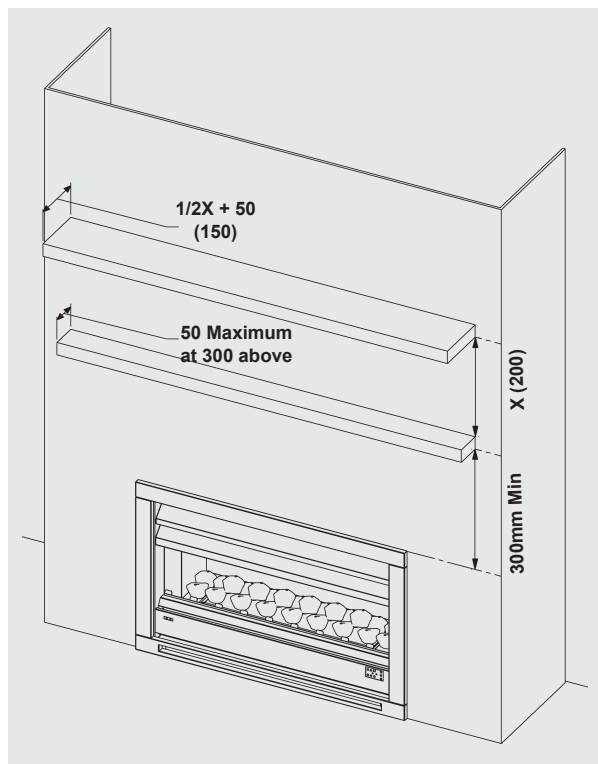


● Mantles

A mantle is allowable providing that it conforms to the minimum clearance of 300mm above the fire and a maximum width of 50mm.

For additional overhang an additional 100mm clearance (vertically) is required for every 50mm of added depth.

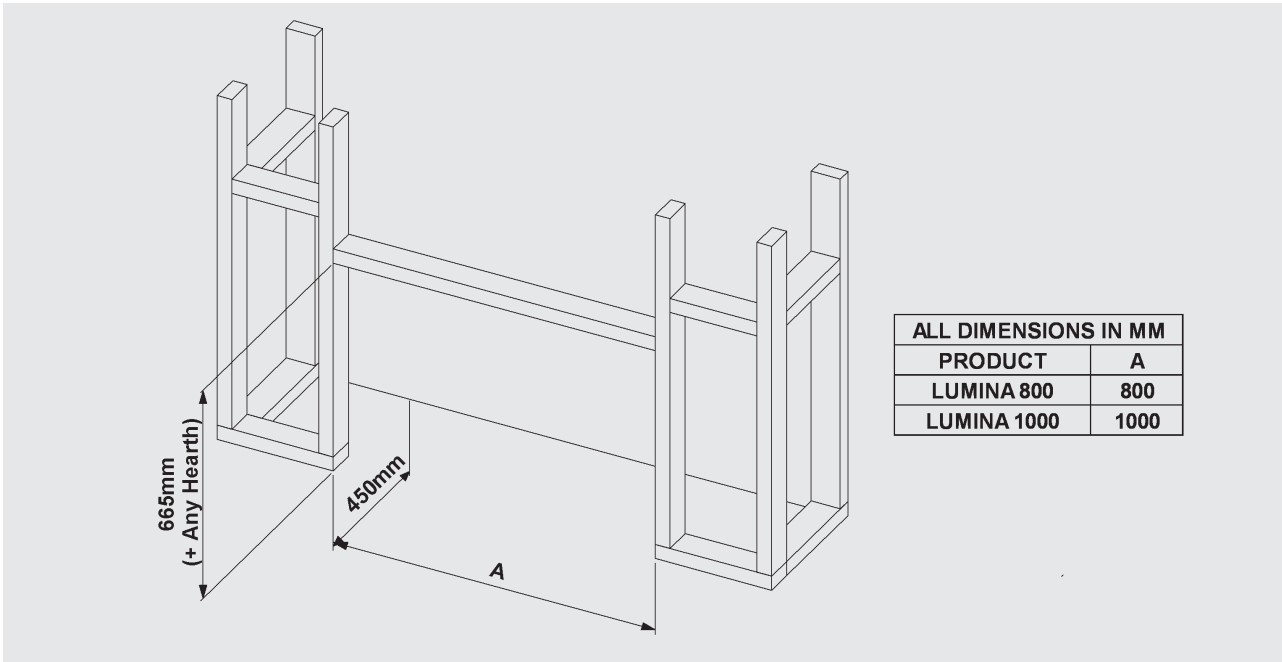
See diagram below.



5. A gas appliance must not be connected to a chimney flue serving a separate solid-fuel burning appliance.

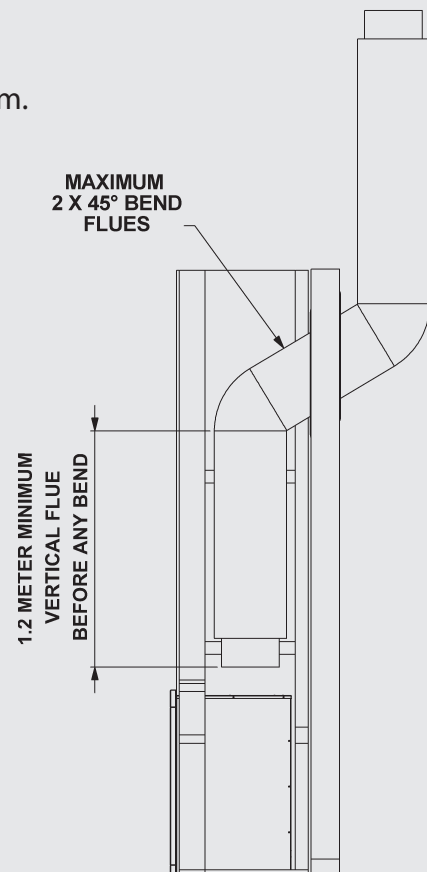
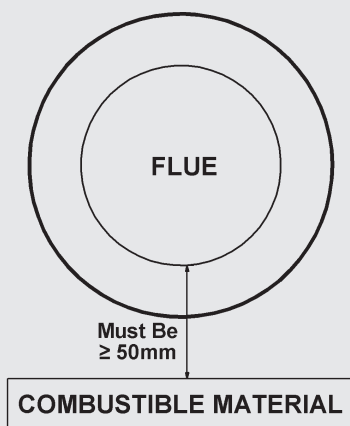
Installer Information - Framing Dimensions

NOTE: HEIGHT DOES NOT INCLUDE ANY HEARTH OR FLOOR COVERING UNDER THE UNIT



Installer Information - Combustible Surface Clearance and Bend Flue Installation

- MINIMUM CLEARANCE FROM INNER FLUE TO COMBUSTIBLE MATERIAL MUST BE GREATER THAN 50mm.
- MINIMUM FLUE LENGTH MUST BE 3.6m VERTICAL.
- MAXIMUM FLUE LENGTH RINNAI RECOMMEND IS 8.0m.
- MINIMUM OF 1.2m OF VERTICAL FLUE IS REQUIRED BEFORE ANY BENDS OR OFFSETS.



Installer Information - Flue Installation

A Flue Installation Guide and Flue Transition are available to assist with flueing installation.

The Flue Installation Guide acts as a template for aligning the flue with the appliance prior to installing the appliance. It therefore enables you to install the flue without the appliance and is ideal for when the wall lining is to be completed before the appliance is installed.

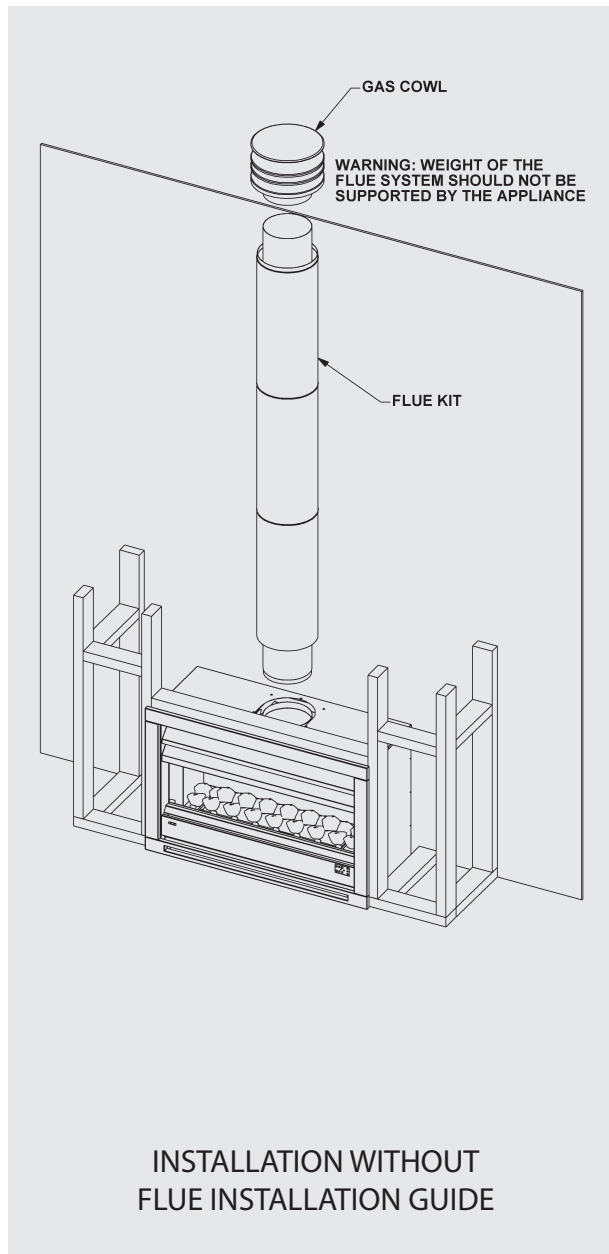
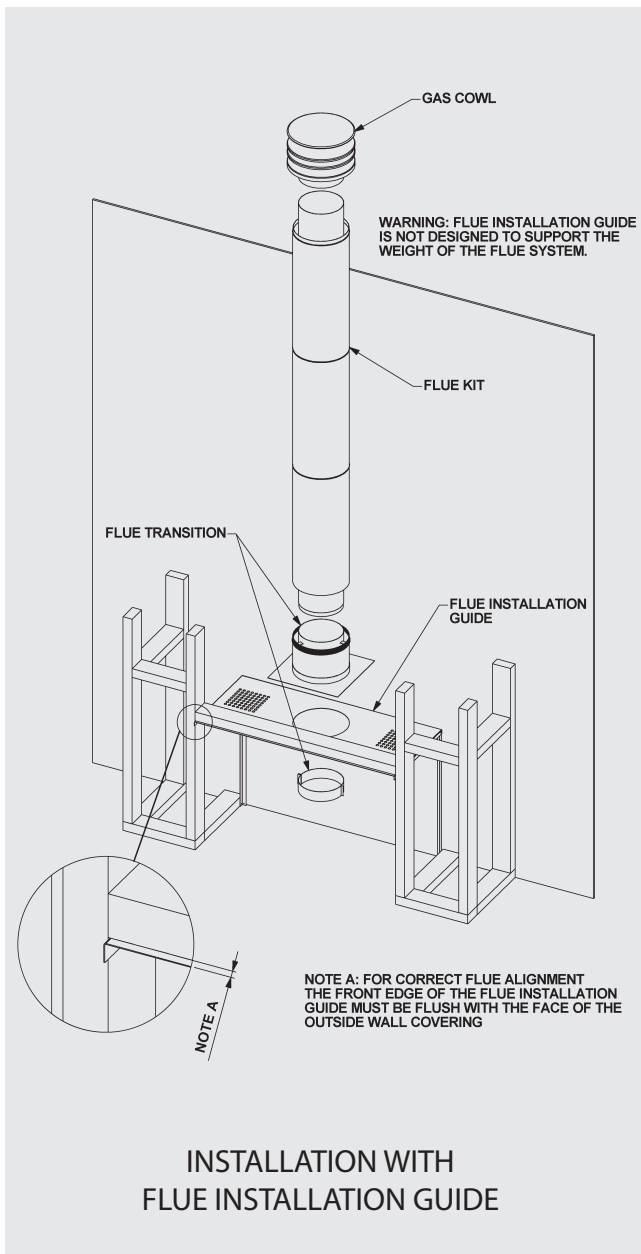
It is also recommended for any installation with bends or offsets.

(It is not necessary for installations where the appliance is to be installed prior to the wall lining being completed.)

The Flue Transition is a sleeve that secures the Flue to the Flue Installation Guide.

(Detailed installation instructions accompany the Flue Installation Guide and Flue Transition)

Note: The Flue Installation Guide is not designed to support the weight of the Flue System. Neither should the weight of the Flue System be supported by the Appliance



Installer Information - Installation Procedure

- Run gas supply

For pipe sizing, refer to your local gas installation codes. Copper supply should be run leaving a 1/2" BSPT socket connection at the position shown on page 14.

- Purge supply of air and debris

All foreign materials such as filings must be purged from the gas supply, as they may cause the gas control valve to malfunction.

- Preparation

Refer to the Location and Flueing sections to make sure the decorative fireplace cavity is suitable for installation before continuing.

Place the appliance on a flat surface.

Remove the four screws holding the Front Panel Assembly in place (1).

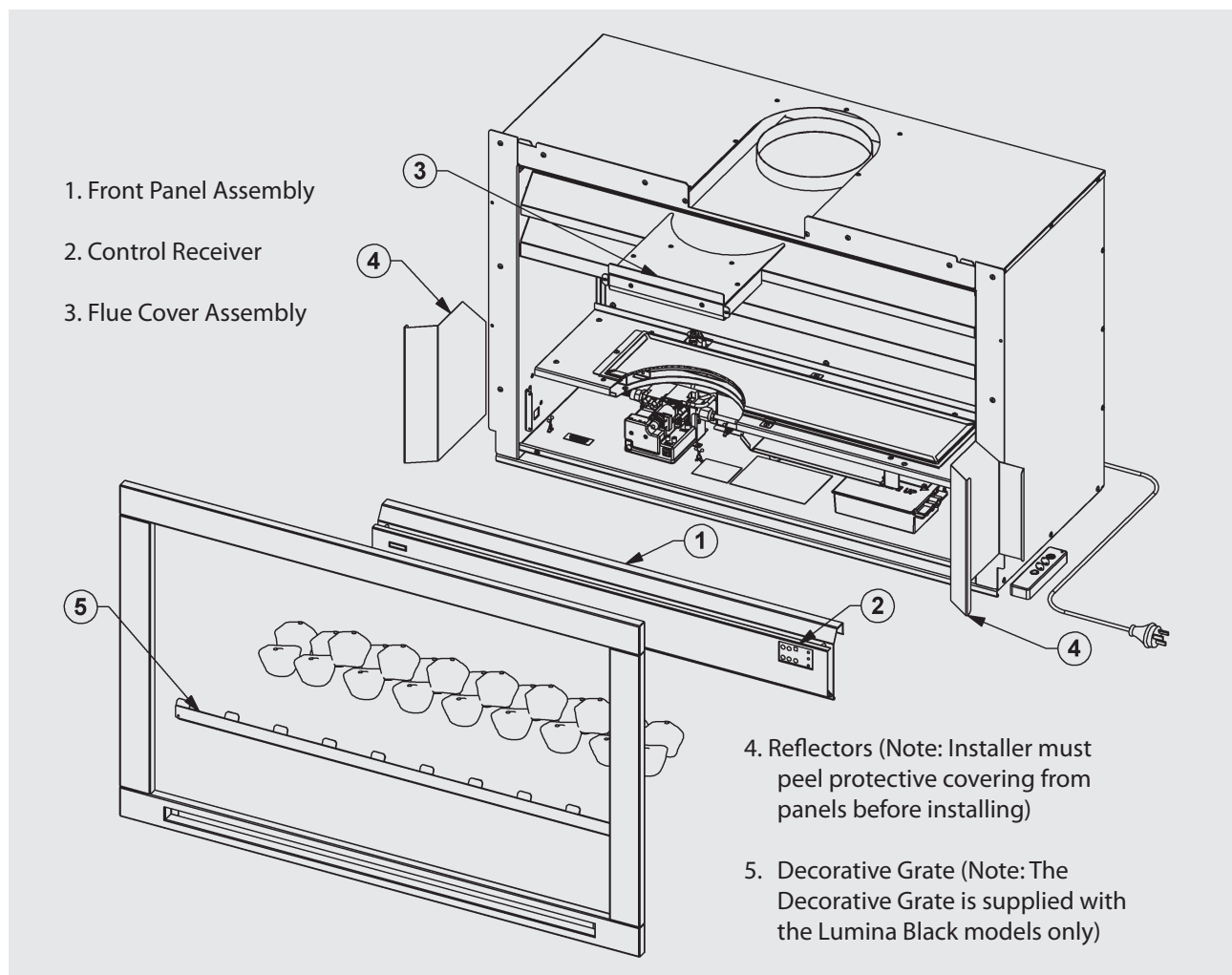
Disconnect the Cat 5 Cable from Control Receiver fitted on the rear RH side of Front Panel Assembly (2).

Remove the two screws holding the Flue Cover Assembly (3). Removing the Flue Cover Assembly gives installer access to reach the lower end of the Inner Flue and therefore ensure that the Flue is properly inserted into the Spigot.

Remove the Steel Flexitube and Reducing Flare from the carton. Make sure that the Steel Flexitube, Reducing Flare, and Gas Supply Pipe are clean and free of damage and fit together ready for fitting to the appliance.

- Installation

Slide the appliance carefully into the cavity, while feeding the Stainless Steel Flexitube through the supply access opening at the left hand rear. Take care not to damage the Stainless Steel Flexitube or any of the components inside the appliance while sliding the appliance into the cavity.



Installer Information - Installation Procedure

There are two levelling screws in the base of the appliance held in place with locknuts. If the appliance does not sit flat when in place, it may be necessary to adjust these.

For flue installation, please follow the flue installation instructions on Page 11 & 12.

Once the appliance is sitting flat, attach it to the wall using four holes (two per side) in the front flanges.

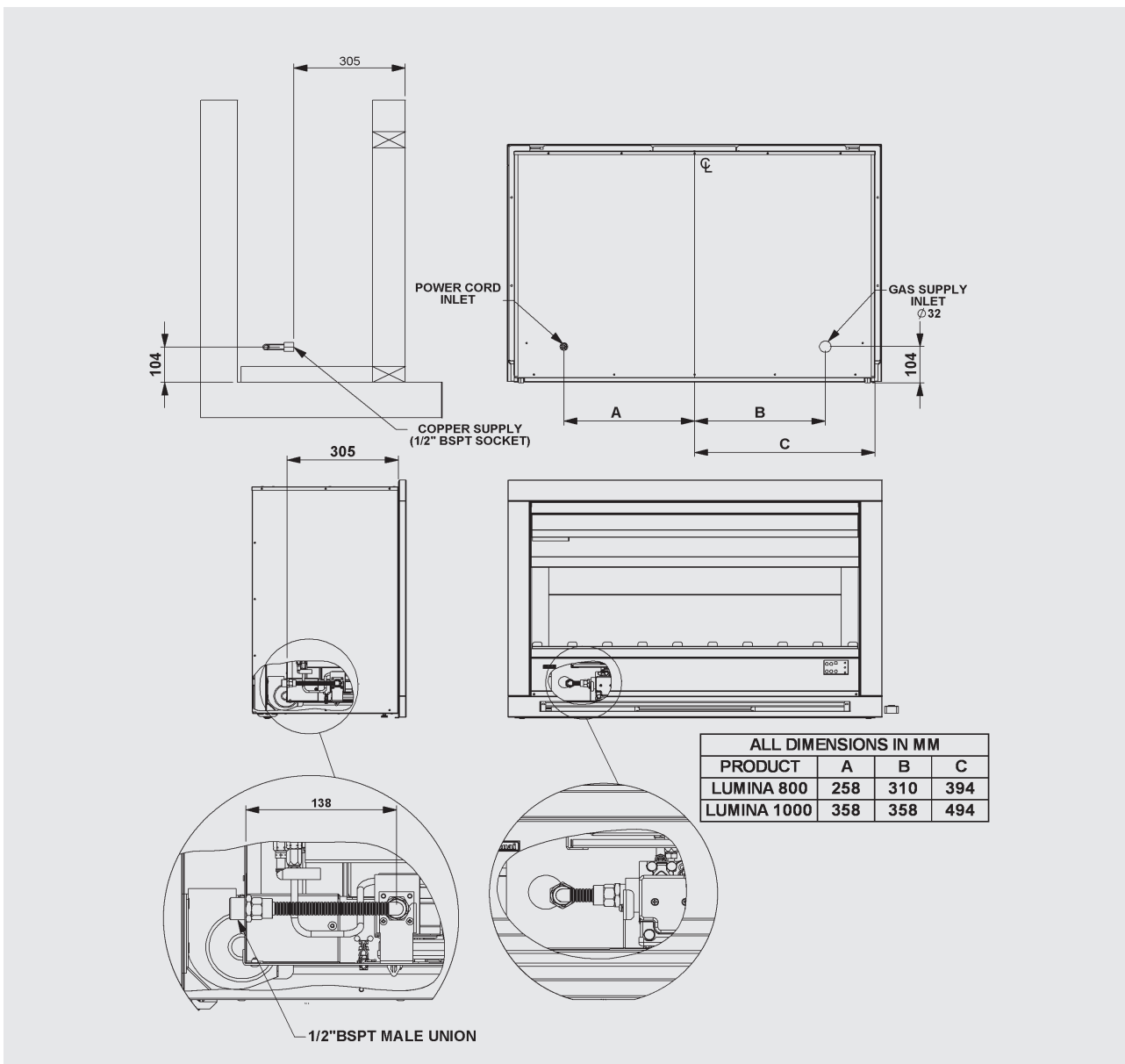
- Fit appliance into place

When the appliance is in place and properly secured, attach the Stainless Steel Flexitube to the Gas Control Inlet Adaptor.

NOTE: On completion of work a gas leak test must be carried out.

Use a soapy solution on all gas connections. Leaks will be visible when the soapy solution forms bubbles. When finished, wipe soapy solution with a rag to remove residue.

Installer Information - Gas Connection



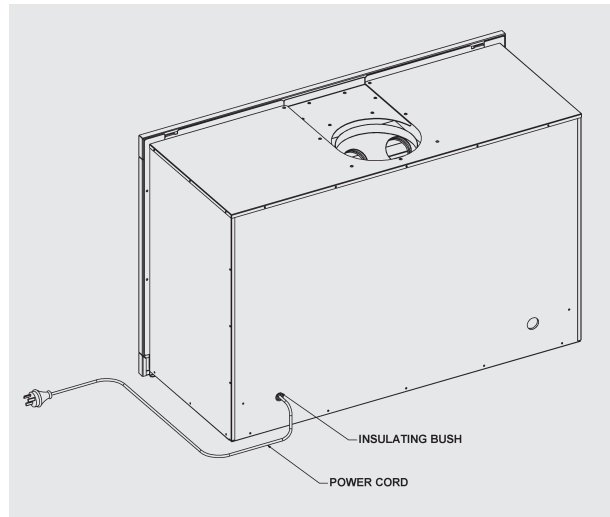
Installer Information - Electrical Connection

This appliance has a power cord with a three pin plug supplied. The power cord passes through the Insulating Bush in the lower right hand side of rear panel and must be plugged into a 230~240V, 10A earthed power point.

The power point must not be above the unit.

Warning: The electric isolation switch must be accessible after the appliance has been installed.

Refer to an electrician for local codes.



Installer Information - Coals/River Stones

Remove Coals/River Stones & granules from the accessory box.

Stack Coals/River Stones evenly in two rows of (Approx Gap 15mm) on top of Ceramat Burner as shown in Diagram A.

Place all the granules in the space between the Coals/River Stones evenly on top of Ceramat Burner. To avoid the Granule Dust going into the Ceramat, don't pour the granules.

Take care not to drop the granules on the base panel, which contains electronic components.

Stack the remaining 6 Coals/River Stones on top of the bottom layer of Coals/River Stones as shown in Diagram B.

While placing the Coals/River Stones extra care must be taken not to damage the Ceramat (Black fibres on top of the burner).

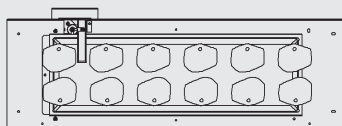
Please do not operate the appliance if you observe any damage to the Ceramat during installation or after use.

Using the appliance with damaged Ceramat could be dangerous.

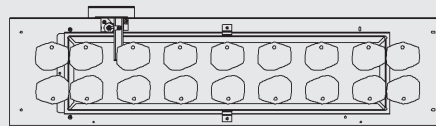
The burner may need to be replaced.

DON'T FORGET GRANULES
PLACE GRANULES ON TOP OF CERAMAT IN THE SPACE BETWEEN COALS/RIVER STONES EVENLY.

DIAGRAM A



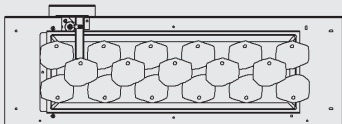
LUMINA 800
(Bottom Layer: 12 Coals / River Stones)



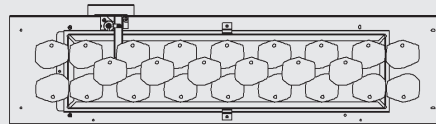
LUMINA 1000
(Bottom Layer: 18 Coals / River Stones)



DIAGRAM B



LUMINA 800
(Top Layer: 5 Coals / River Stones)



LUMINA 1000
(Top Layer: 6 Coals / River Stones)



IMPORTANT

River stones and coals must be placed as shown

Installer Information - Test and Commission

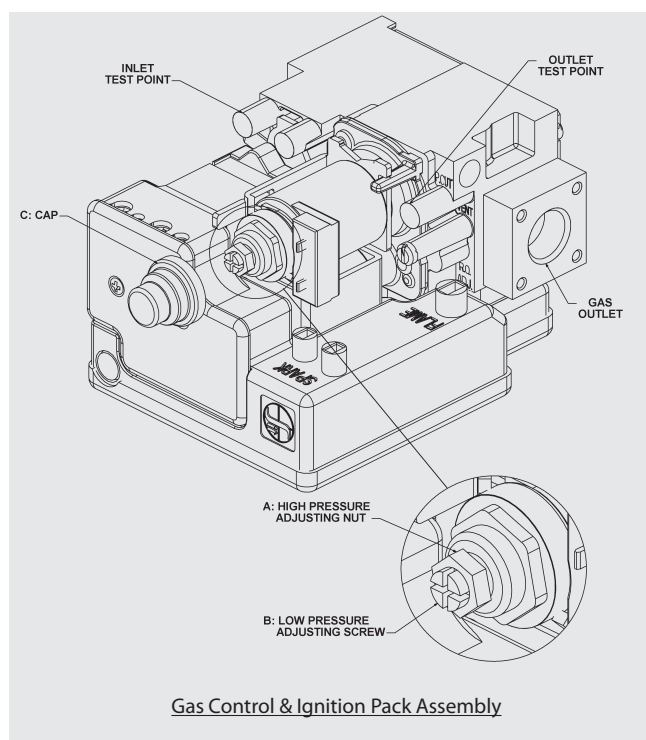
TESTING PROCEDURE

Turn gas supply on and plug the unit into the power supply. (Caution 240V.)

TO CHECK BURNER PRESSURE

- Refer to Data Plate; the Technical Specification section in this manual.
- Connect the CAT5 Cable to the Control Receiver in the rear right hand side of the Front Panel Assembly. Don't fit Front Panel Assembly to the appliance yet.
- Loosen the Outlet Test Point screw and attach manometer to the test point. The Outlet Test Point is on the right hand side of Gas Control (Shown Below).
- Light appliance, adjust to High flame setting and check pressure.
- If adjustments are necessary, remove the Cap C. Pressure adjustment screw and nut are on the front side of Gas Control (Shown Below) and should be set to the pressures on the data-plate.

High Pressure Setting: Set the Proportional Operating Valve (POV) to the maximum condition. Use a 10mm spanner to screw in Nut A to increase the outlet pressure and screw it out to decrease the pressure.



Low Pressure Setting: Turn off the power to the POV (by disconnecting the POV Test Connection in main harness) and, keep the Nut A stationary. Use a screwdriver 6X1 blade to screw in the Screw B to increase the pressure and screw it out to decrease it. Carefully replace the modulator plastic cap.

WARNING: To ensure the correct operation of the POV it is necessary that the plastic Cap C is returned to its original location.

- After checking the pressure, turn the unit off, remove manometer and tighten the test point screw.
- Reconnect POV Test Connection in the main harness.
- Turn the appliance on and off a few times to check ignition.
- When you are satisfied that the appliance is working correctly, fit Flue Cover Assembly, and Front Panel Assembly back to the Engine. Fit 2 Reflectors to the sides of the Burner Support - refer to item 4 in the exploded view on page 13. NOTE: Ensure you peel the plastic protective coating from the two Side Reflectors.
- All burner aerations are factory preset and cannot be adjusted.
- If you are unable to get the unit to operate correctly, refer to Troubleshooting on Page 8 before contacting your local service contact as listed on Page 20.
- It may take approximately 2 hours of operation for the coals/river stones to achieve their full flame pattern and glow.
- During the initial burning in period, some smoke and smell may be experienced, the appliance should be run on the high position in a well ventilated room until these dissipate.

Installer Information - Test and Commission

It is the responsibility of the installer to check that under normal operating conditions of the appliance, all flue gases are exhausted to the outside atmosphere and that there is no spillage of combustion gases into the room. Please refer to AS 5601 / AG 601, Clause 5.13.3.3/NZ5261.

Installation and commissioning checklist

Complete the installation checklist and the installer details on page 19 and make sure that this Instruction Book is left with the customer.

Instruct the customer on use of the unit

Explain to the customer about the use and care of the unit. Make sure the customer understands the instructions and the operation of the appliance.

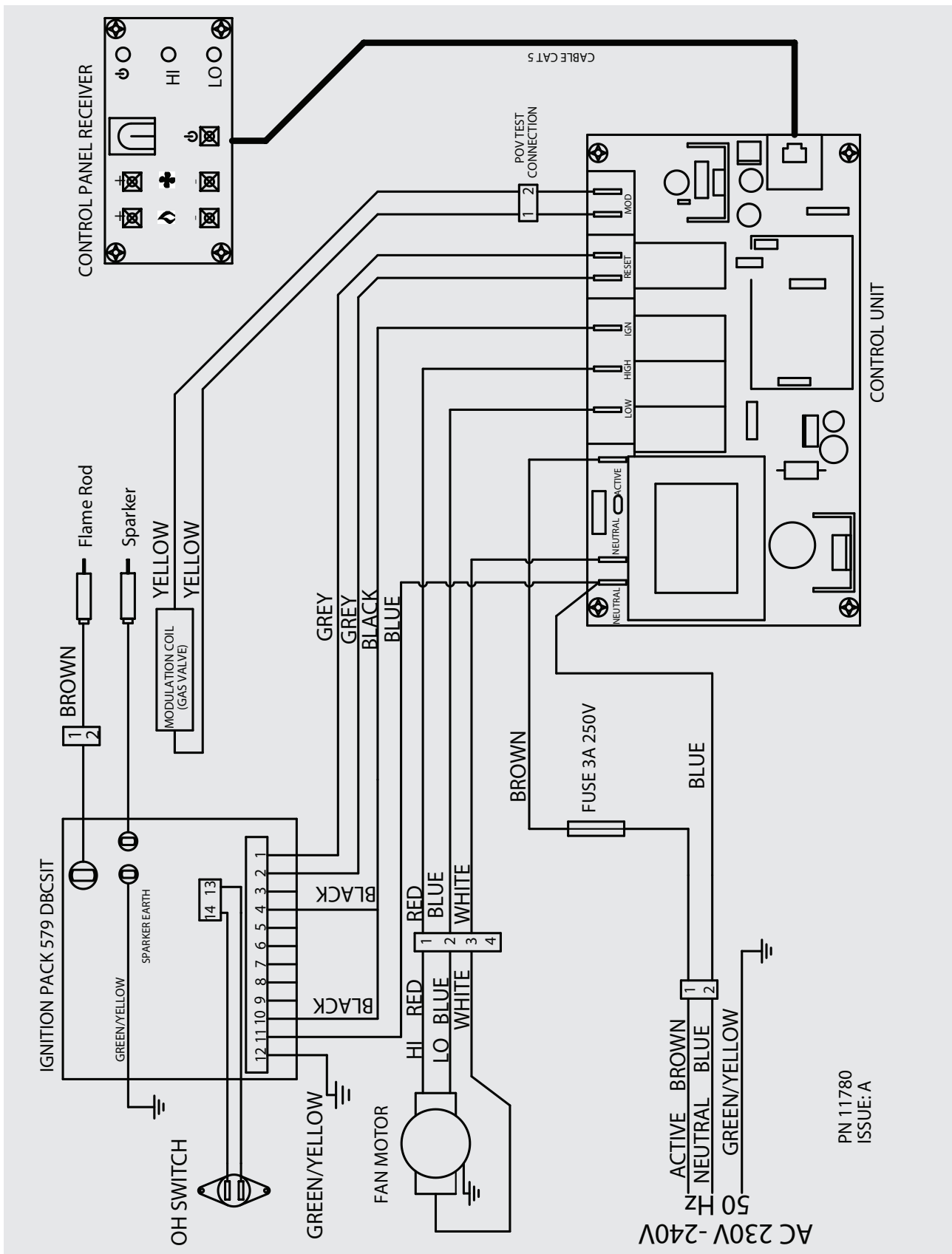
This Decorative fire has no guard. Please follow the Safety Instructions on Page 4 to prevent the risk of injury from burns and no part of this appliance should be permanently removed.

Young children and the infirm should be supervised at all times.

Installer Information - Technical Specifications

Model:	LUMINA 800BN / LUMINA 800SSN (NG) LUMINA 800BL / LUMINA 800SSL (LPG) LUMINA 1000BN / LUMINA 1000SSN (NG) LUMINA 1000BL / LUMINA 1000SSL (LPG)			
Description:	Inbuilt Radiant/Convactor, Decorative gas fire with forced convection and natural draft flue system.			
Gas Input Rate	Model	Combustion	Natural Gas	LPG
	LUMINA 800	High	30 MJ/hr	30 MJ/hr
	LUMINA 800	Low	18 MJ/hr	18 MJ/hr
	LUMINA 1000	High	40 MJ/hr	38 MJ/hr
	LUMINA 1000	Low	24 MJ/hr	24 MJ/hr
Burner Pressure	Refer to Data Plate on the Bottom Panel			
Data Plate:	On base panel to the right hand side of gas control.			
Gas Control:	SIT modulating gas valve.			
Gas Connection:	1/2" BSPT male union.			
Flue Terminal:	Ø200mm (Inner) & Ø250mm (Outer) round top discharge.			
Power Supply:	230~240V 50Hz unit is supplied with 3 pin, 10 Amp plug and supply lead, replace only with Rinnai NZ P/N6765B.			
Fan:	Tangential 2 speed, power rating 60Watts.			
Combustion System:	Ceramit burner.			
Coals/River Stones:	Ceramic.			
Ignition System:	Continuous spark intermittent Pilot ignition system.			
Operation:	Soft touch buttons and remote control to light pilot and burners.			
Safety Device:	Overheat thermal cutout switch & Tip over switch.			
Combustion method:	Naturally aspirated burner.			
Installation Type:	Inbuilt only.			
Flue Requirement:	A minimum flue height of 3.6m is required and it may be necessary to extend beyond this, to a maximum of 8.0m. A minimum of 1.2m of vertical flue is required before any bends or offsets. A maximum of two 45° bends may be used.			

Installer Information - Wiring Diagram



PN 11780
ISSUE: A

If the supply cord is damaged or requires replacing, it must be replaced by the manufacturer or the manufacturer's agent or similarly qualified person in order to avoid a hazard. The supply cord must only be replaced with a genuine Rinnai spare part.

Installation/Commissioning Checklist

	NO	YES
1 Was a fireplace inspection carried out? (i.e. clearances, combustibles etc.)	<input type="checkbox"/>	<input type="checkbox"/>
2. Was a Rinnai approved flue system installed?	<input type="checkbox"/>	<input type="checkbox"/>
3. Has specified gas pressures been checked and set?	<input type="checkbox"/>	<input type="checkbox"/>
4 Are Coals/River Stones located correctly?	<input type="checkbox"/>	<input type="checkbox"/>
5. Have the granules been placed evenly on top of the burner, free of dust and powder?	<input type="checkbox"/>	<input type="checkbox"/>
6. Has the appliance been test fired for correct operation?	<input type="checkbox"/>	<input type="checkbox"/>
7. Is the end-user fully aware of operating procedure?	<input type="checkbox"/>	<input type="checkbox"/>

Installer Details

Company name: _____

Installers name: _____

Address: _____

Phone: _____ Mobile: _____

Permit number for installation: _____

Signed: _____ Date: _____

Customer Contacts

For more information about buying and living with rinnai gas appliances call 0800 RINNAI (0800 746 624)

Rinnai New Zealand Limited
105 Pavilion Drive, Airport Oaks, Mangere
PO Box 53177, Airport Retail Centre, Manukau 2150
Email: info@rinnai.co.nz
www.rinnai.co.nz

All Rinnai appliances meet or exceed the safety standards required by New Zealand gas and electrical regulations.

Rinnai is constantly improving its products and as such specifications are subject to change or variation without notice.

RINNAI
Lumina

Rinnai
EXPERIENCE OUR INNOVATION

PART NUMBER 10737
Issue C