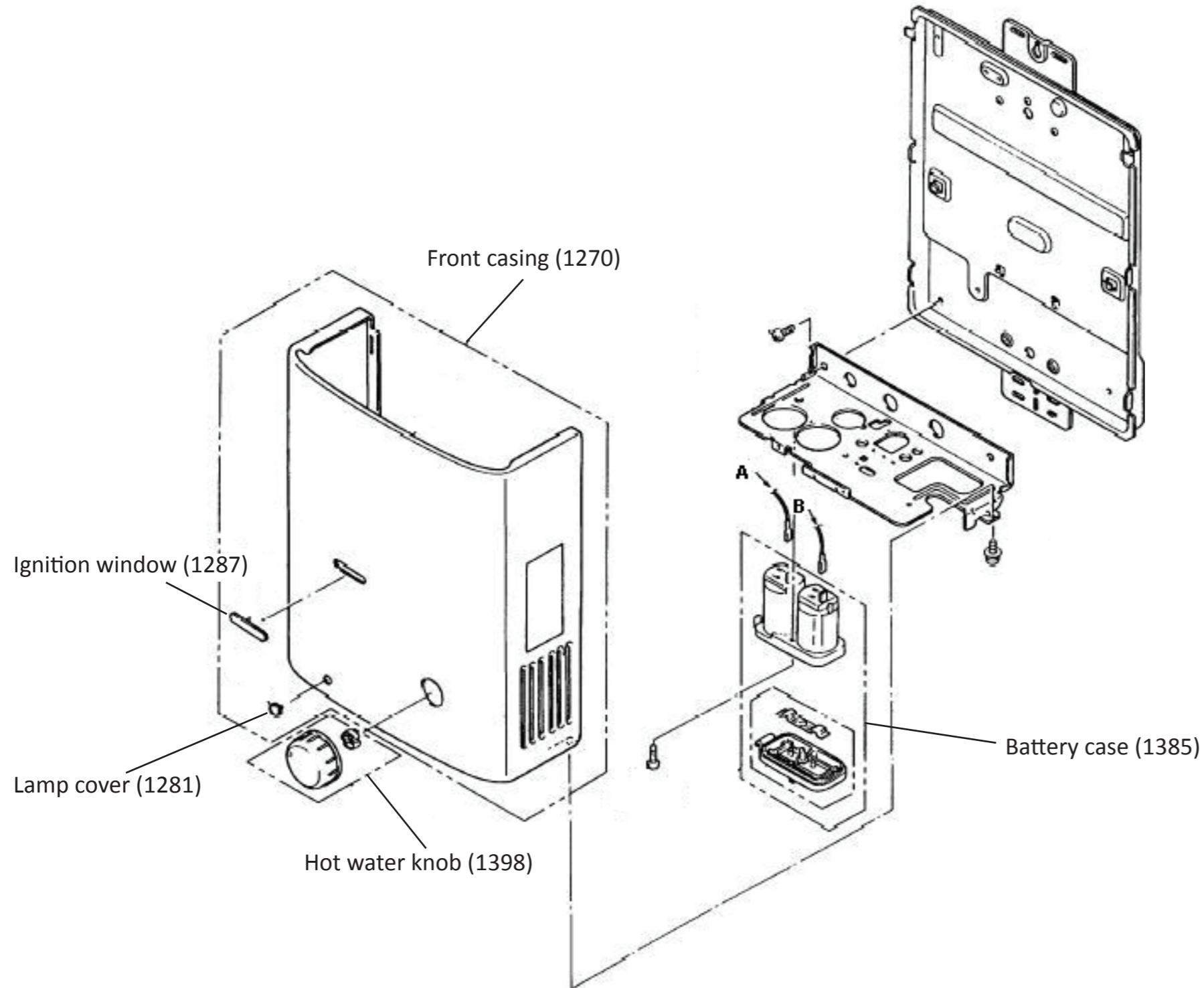


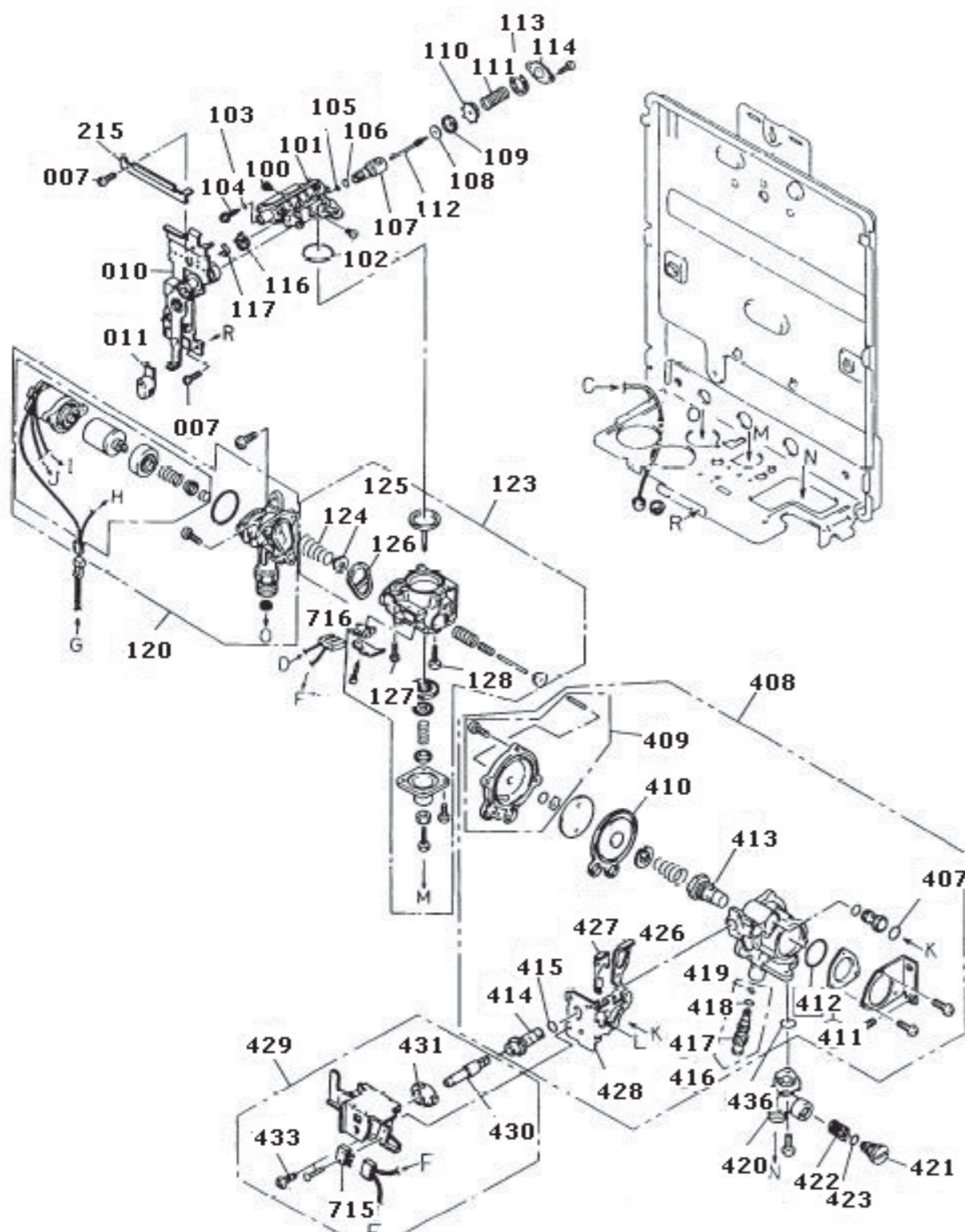
REU-55FTL (multipoint) water heater

This diagram is provided to assist you to identify parts if replacement is necessary. Contact your place of purchase or the manufacturer to enquire about parts, availability and/or service.



REU-55FTL (multipoint) water heater

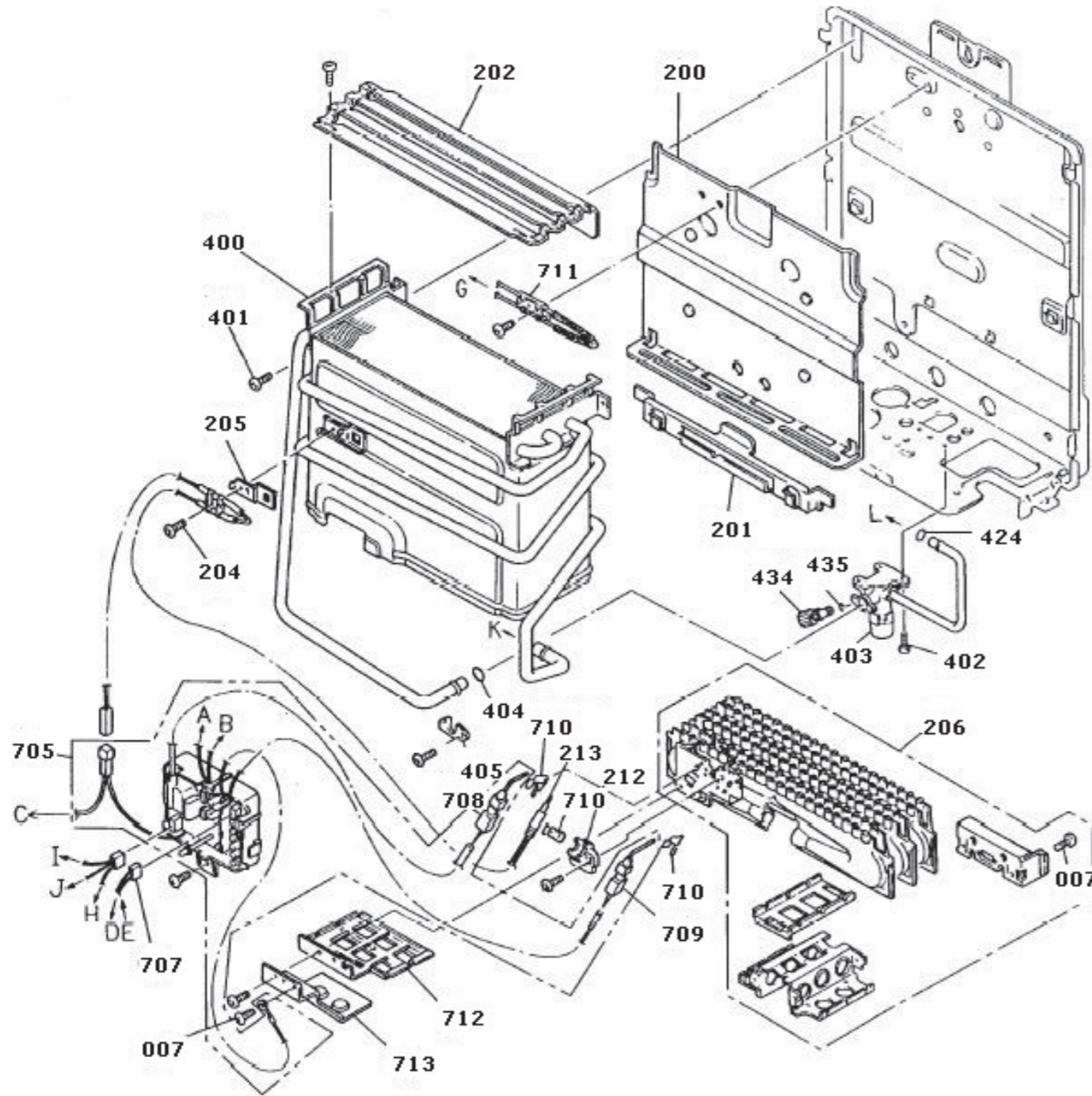
This diagram is provided to assist you to identify parts if replacement is necessary. Contact your place of purchase or the manufacturer to enquire about parts, availability and/or service.



Ref.	Description	Part No.
010	Capacity mechanism	1338
011	Temperature water knob - small	1276
100	Main injector LPG 0.73 (x 6)	1228
103	O-ring 4	2239
104	Pressure point packing	9994
105	O-ring	2268
120	Solenoid valve	1339
123	Governor valve (gas)	1345
407	O-ring 9	1029
408	Water governor	1372
410	Water diaphragm	1254
415	O-ring 6	1241
417	Water drain valve	1374
418	O-ring 5	1234
419	O-ring 2	1233
420	Water inlet	1375
421	Filter plug	1376
422	Water filter	1377
423	O-ring 12	1245
429	Control mechanism assembly	1163
430	Hot water spindle	1380
436	O-ring 16	1244
715	Microswitch (x 2)	1393
716	Microswitch	1227

REU-55FTL (multipoint) water heater

This diagram is provided to assist you to identify parts if replacement is necessary. Contact your place of purchase or the manufacturer to enquire about parts, availability and/or service.



Ref.	Description	Part No.
202	Exhaust hood	1273
206	Main burner assy	1346
212	Thermocouple holder	1154
213	Thermocouple	1352
400	Heat exchanger	1366
403	Hot water outlet	1359
404	O-ring 9	1029
405	Water outlet retainer	1191
424	O-ring 7	1031
434	Water drain valve	1382
435	O-ring 5	1234
705	PCB	1399
707	Wiring harness	1209
708	Electrode	1050
709	Flame rod	1061
710	Plug holder (x 3)	6630
711	Thermal fuse	1072