

INFINITY[®] sideways flue diverter installation guide

The sideways flue diverter is an accessory that can be fitted to an external Rinnai continuous flow water heater. It is designed to expel combustion products in a sideways direction. The flue diverter is fitted with screws to the flue terminal.

Important: The flue diverter **MUST** remain as a permanent fixture as removal could mean the water heater position no longer complies with AS/NZS 5601.1. All clearances must conform with AS/NZS 5601.1

Suitability

- Externally mounted Rinnai INFINITY continuous flow water heaters NOT installed into a recess box.
- External SINGLE water heater applications only (can be installed for left and right handed installations).
- Balconies, patios, or other enclosed areas where products of combustion can be rapidly dispersed into the open-air.

Code Model

FDS16: VT16 and XR16

FDS20: VT20, XR18, XR20, Solar 20

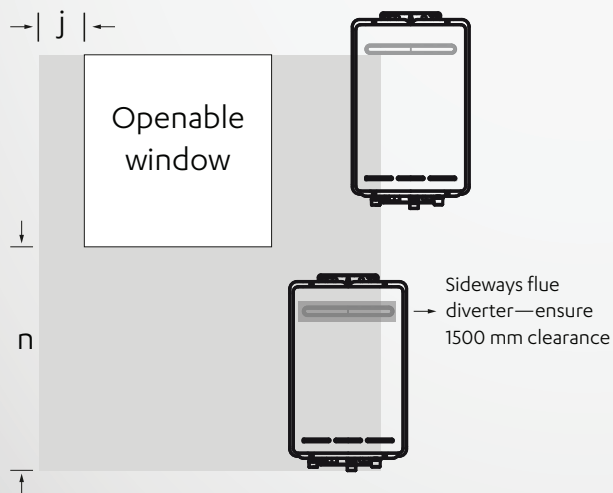
FDS24: VT24, VT26, XR20+, XR26, XR26+, XR24, Solar 24

Specific applications

Noise reduction, in particular with larger INFINITY models where the unit is positioned close to a neighbouring property.

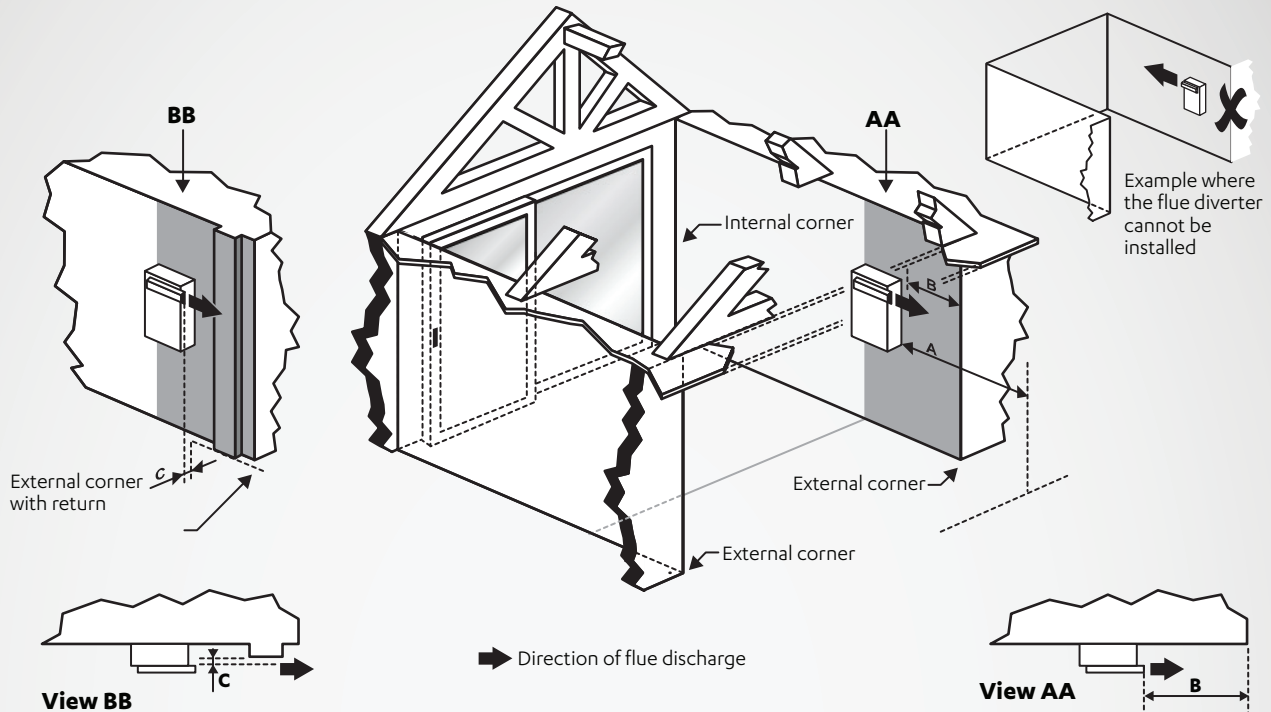
Where there may be an obstruction such as a tree, fence, wall or other structure, that even though an INFINITY is installed with the required clearances, will perform more efficiently if the flue gases are cleared away from the obstruction.

Where clearance to an openable window or other building structure is tight, the clearance shifts to the point of discharge (close to the edge of the water heater case).



j and n relate to minimum clearances required for balanced flue terminals from AS/NZS 5601.1

Location and clearances



Ref.		Clearance
A	Minimum horizontal clearance between the flue diverter and any obstructions in the direction of the discharge.	1500 mm
B	Horizontal distance between the flue diverter and the external corner of a wall, in the direction of the discharge. If the distance exceeds 500 mm flue products may not be adequately dispersed from the enclosed area.	500 mm
C	Clearance from a return of an external corner.	20 mm

Important

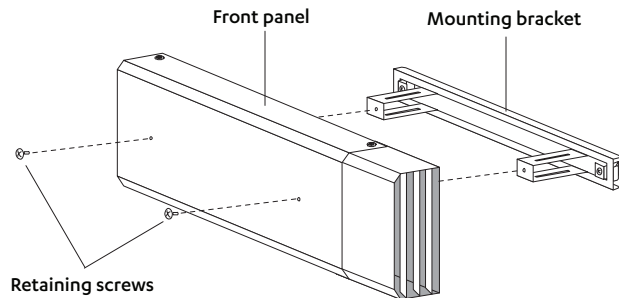
Gas meters, electricity meters, fuse boxes, drain pipes, soil pipes, flue terminals, combustion air intakes, openable windows, non-mechanical air inlets or any other openings are not permitted in the grey shaded area shown above.



INFINITY[®] sideways flue diverter installation guide

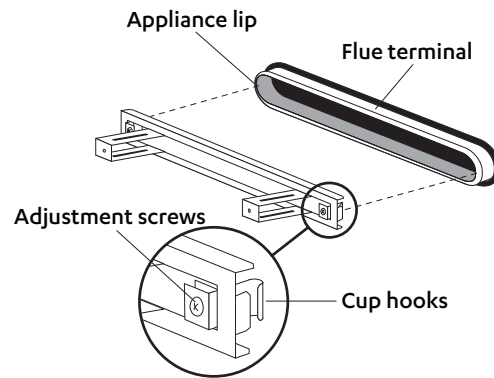
Preparation

1. Unpack the flue diverter assembly.
2. Remove the two retaining screws from the front panel of the diverter.
3. Separate the mounting bracket from the rear of the diverter.



Fitting the mounting bracket to the appliance

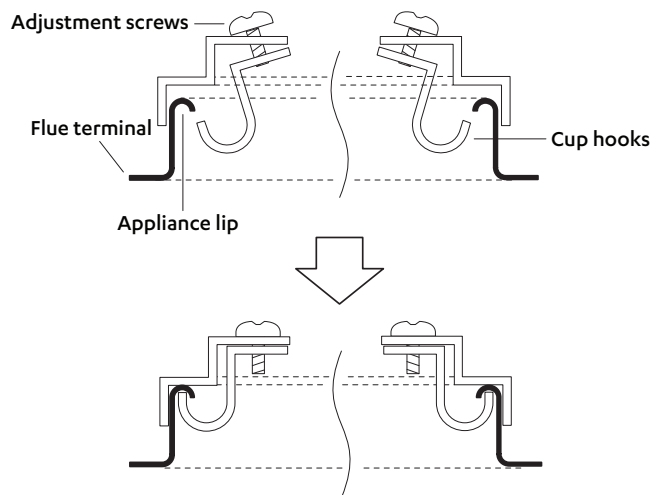
Loosen the two adjustment screws located on the ends of the mounting bracket. This allows the cup hooks to be positioned inside the lip of the appliance flue terminal.



Securing the mounting bracket to the appliance

Align the cup hooks with the lip so that when the two adjustment screws are re-tightened both will engage.

Re-tighten the two adjustment screws until the cup hooks are firmly secured into the appliance lip.

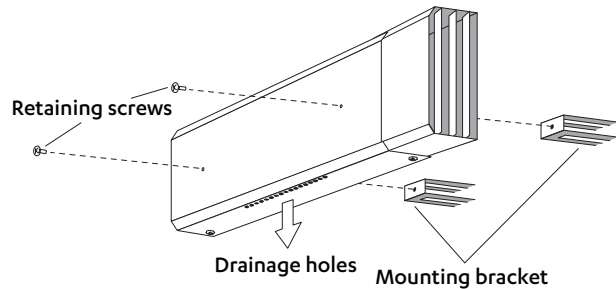


INFINITY[®] sideways flue diverter installation guide

Attaching the front panel

Re-attach the front panel to the mounting bracket with the two retaining screws removed in step 2.

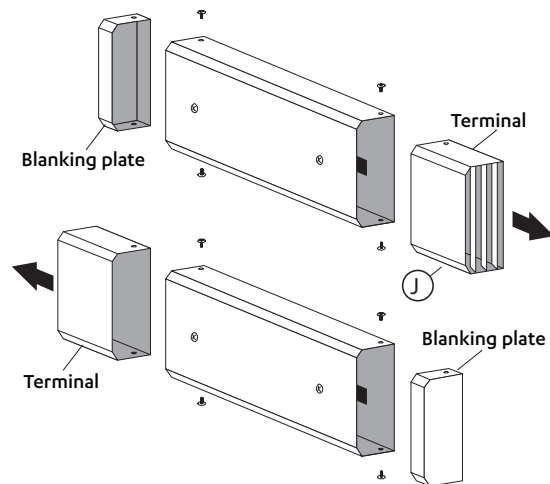
Ensure that the drainage holes and arrow are pointing downwards.



Left or right handed installations

The diverter is assembled for a right hand installation, but can be adjusted for a left hand installation by the following the steps below.

1. To set the direction of discharge remove the four retaining screws from the top and bottom of the front panel.
2. Remove the terminal and the blanking plate and reverse the positions.
3. Re-secure the terminal and blanking plate in the new position with the four retaining screws removed in step 1.



Sideways diverter installed on the INFINITY

Ensure diverter is securely attached and in the correct position with the drainage holes (and arrow) pointing downwards.

Inform the homeowner that this is a permanent fixture and must not be removed.

