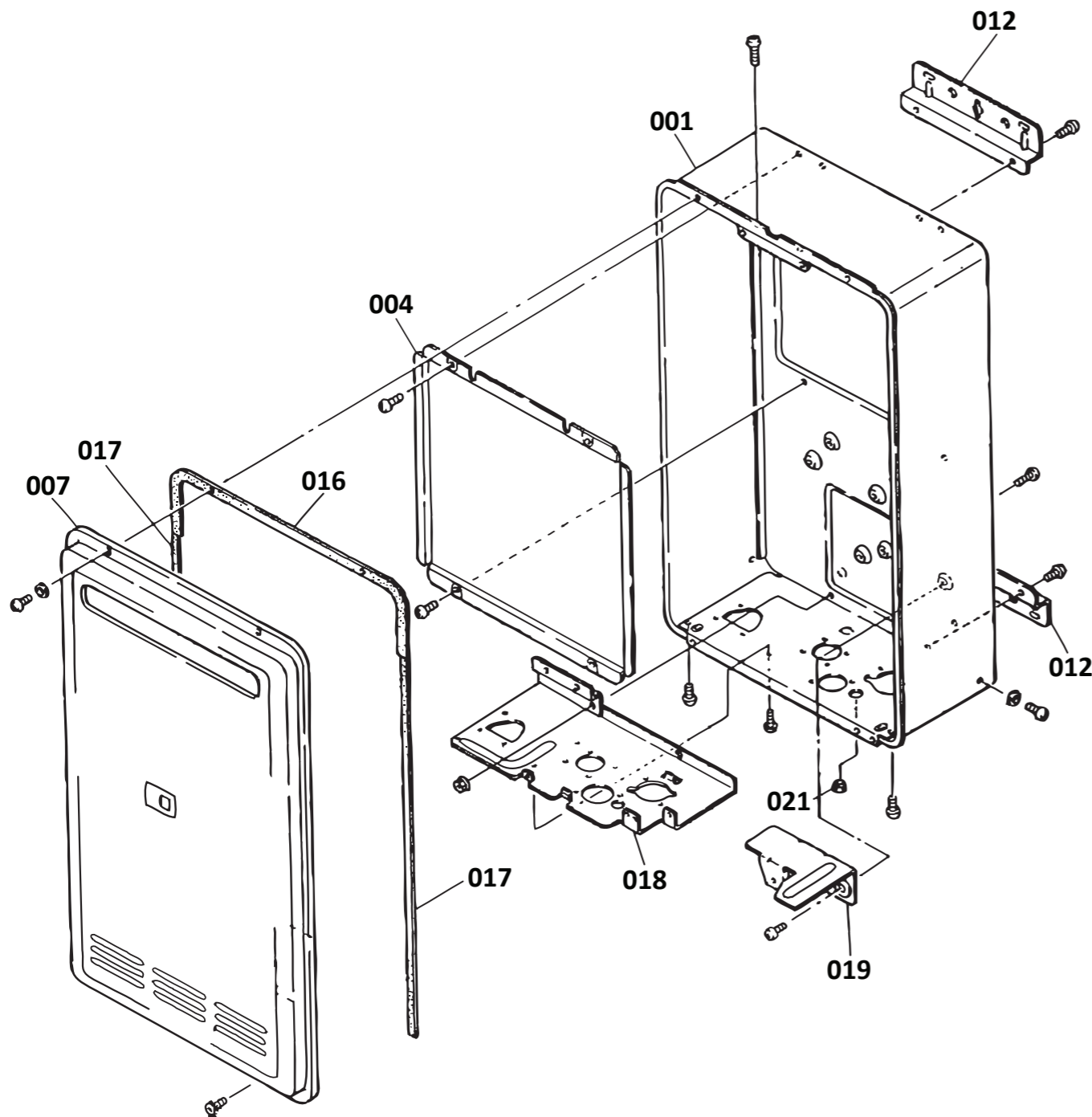


Infinity 22 (REU-2422W) external water heater

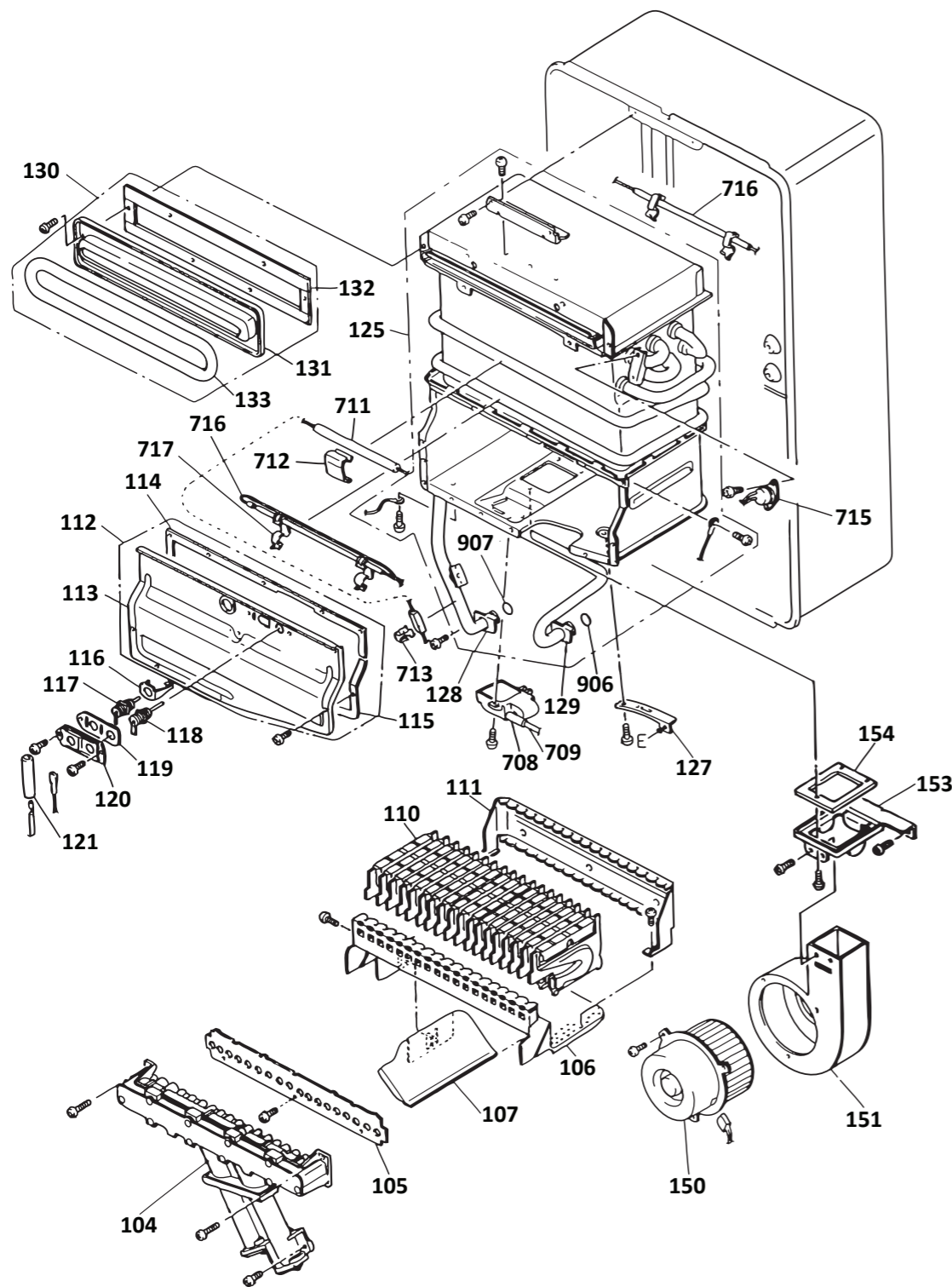
This diagram is provided to assist you to identify parts if replacement is necessary. Contact your place of purchase or the manufacturer to enquire about parts, availability and/or service.



| Ref. | Description | Qty. | Part No. |
|------|----------------------------|------|---------------|
| 001 | Main body | 1 | 3351 |
| 004 | Heat shield | 1 | not available |
| 007 | Front panel | 1 | 3352 |
| 012 | Wall bracket | 2 | 3387 |
| 016 | Front panel packing top | 1 | 3418 |
| 017 | Front panel packing side | 2 | 3807 |
| 018 | Wiring reinforcement panel | 1 | not available |
| 019 | Gas control bracket | 1 | not available |
| 021 | Screw packing | 1 | not available |

Infinity 22 (REU-2422W) external water heater

This diagram is provided to assist you to identify parts if replacement is necessary. Contact your place of purchase or the manufacturer to enquire about parts, availability and/or service.

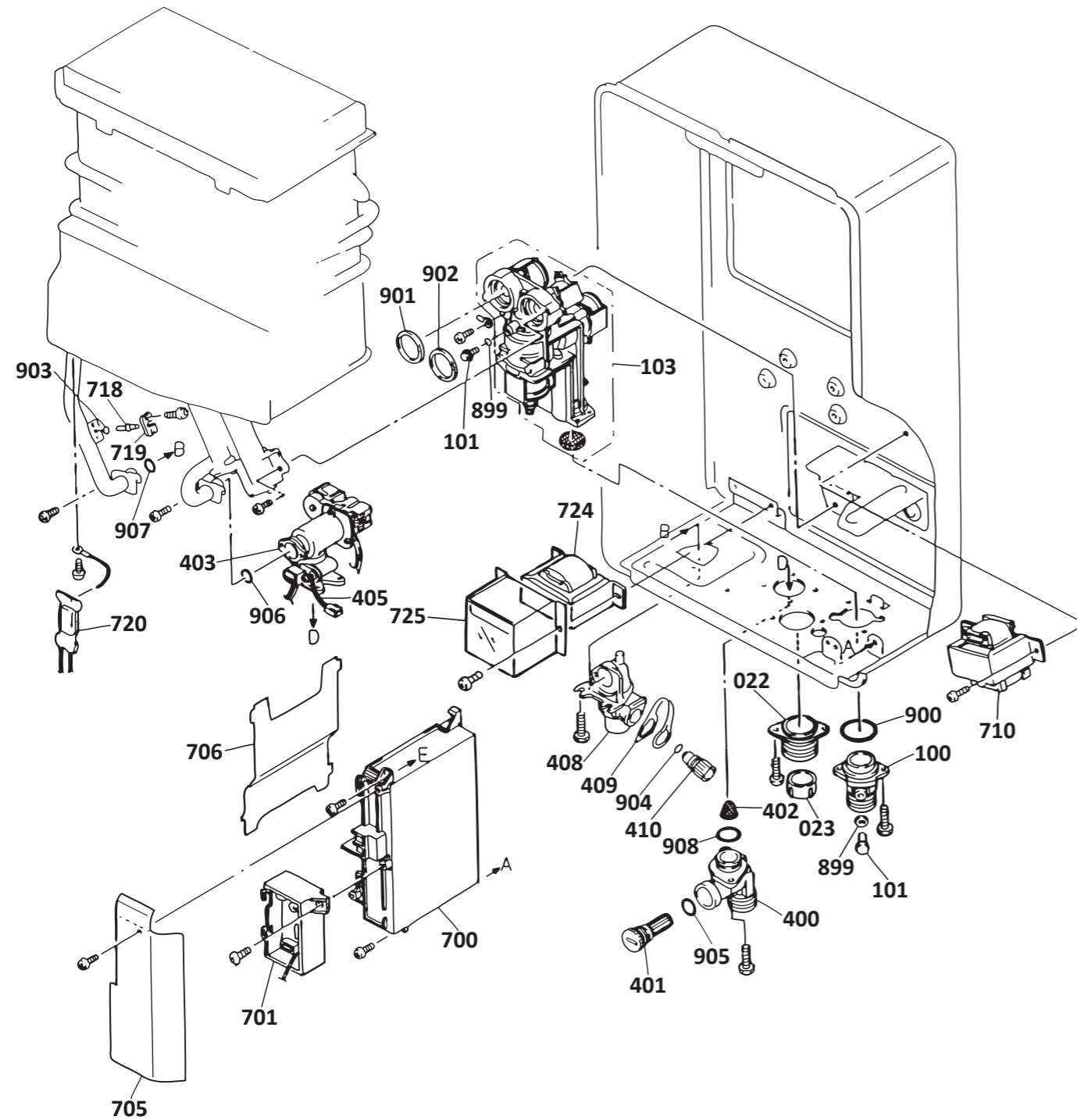


| Ref. | Description | Qty. | Part No. |
|------|---------------------------------|------|---------------|
| 104 | Manifold LPG | 1 | 3089 |
| 104 | Manifold NG | 1 | 3125 |
| 105 | Damper LPG only | 1 | 3136 |
| 106 | Burner case front | 1 | not available |
| 107 | Sound proofing panel | 1 | not available |
| 110 | Burner NG/LPG | 18 | 3393 |
| 111 | Burner box rear panel | 1 | not available |
| 112 | Comb. chamber front panel assy. | 1 | not available |
| 113 | Comb. chamber front panel | 1 | not available |
| 114 | Comb. chamber packing top | 1 | 3396 |
| 115 | Comb. chamber packing bottom | 1 | 3397 |
| 116 | Ignition target | 1 | 3438 |
| 117 | Electrode | 1 | 3016 |
| 118 | Flame rod | 1 | 3018 |
| 119 | Electrode packing | 1 | 3441 |
| 120 | Flame rod clip | 1 | 3478 |
| 121 | Electrode sleeve | 1 | 3395 |
| 125 | Heat exchanger | 1 | 3347 |
| 125 | Heat exchanger tin lined assy. | 1 | 3347T |
| 127 | PCB casing | 1 | not available |
| 128 | Washer | 1 | not available |
| 129 | Washer | 1 | not available |
| 131 | Exhaust | 1 | not available |
| 132 | Exhaust packing | 1 | 3398 |
| 133 | Front panel seal | 1 | 3056 |
| 150 | Fan assembly | 1 | 3348 |
| 151 | Fan casing | 1 | not available |
| 153 | Fan connection | 1 | not available |
| 154 | Fan connection packing | 1 | 3025 |
| 708 | Sparker | 1 | 1893 |
| 709 | High tension cord | 1 | 3529 |

| Ref. | Description | Qty. | Part No. |
|------|-------------------------------------|------|----------|
| 711 | Anti frost heater | 1 | 2363 |
| 712 | Heater bracket | 1 | 2364 |
| 713 | Heater bracket | 1 | 2899 |
| 715 | OHS | 1 | 3386 |
| 716 | Thermal fuse harness | 1 | 3388 |
| 717 | Fixed band | 4 | 2869 |
| 906 | Heat exchanger o-ring | 1 | 4912 |
| 907 | Heat exchanger outlet bypass o-ring | 1 | 3826 |

Infinity 22 (REU-2422W) external water heater

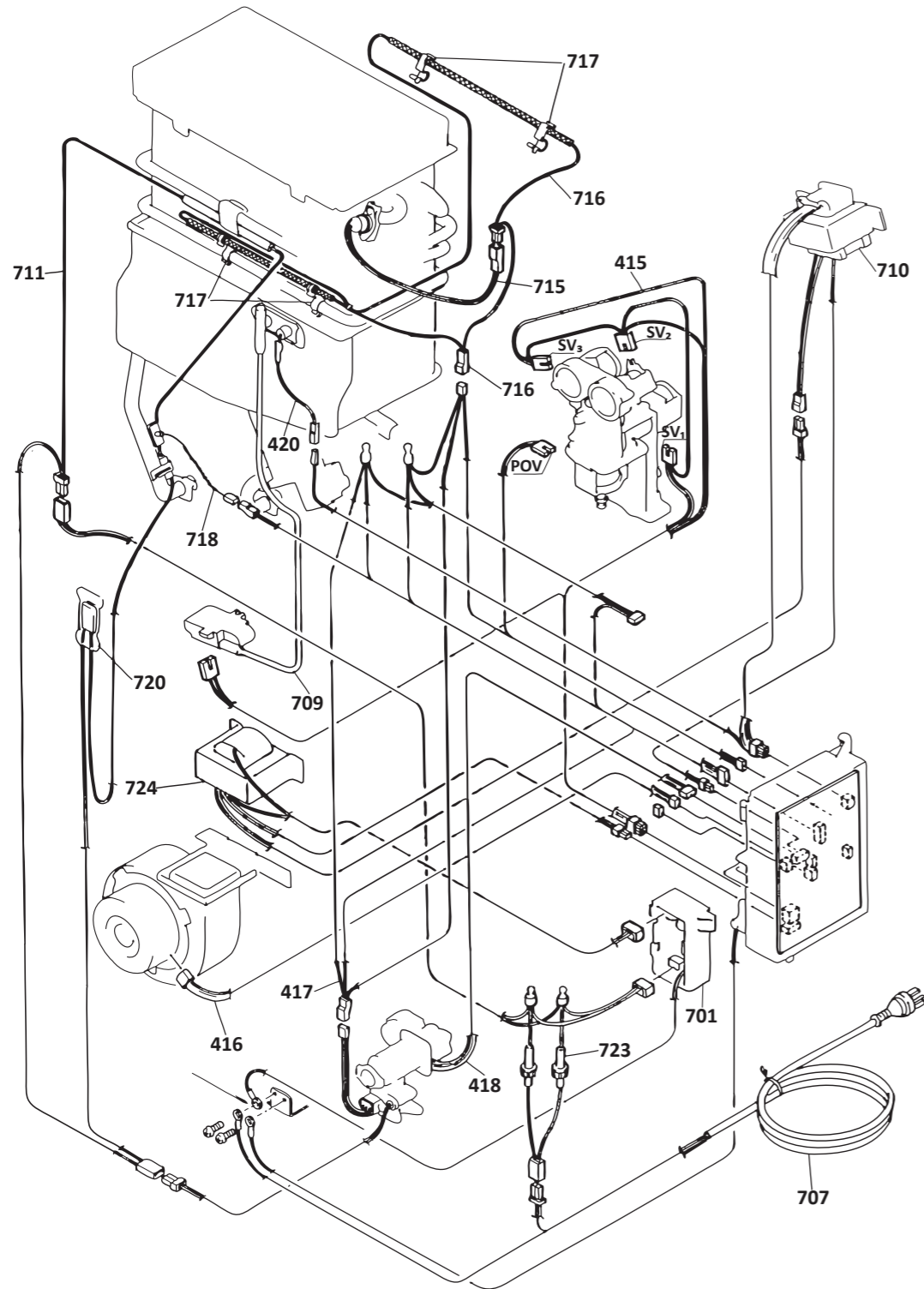
This diagram is provided to assist you to identify parts if replacement is necessary. Contact your place of purchase or the manufacturer to enquire about parts, availability and/or service.



| Ref. | Description | Qty. | Part No. |
|------|------------------------------|------|---------------|
| 022 | Cable connection | 1 | 3896 |
| 023 | Cable seal packing | 1 | 3551 |
| 100 | Gas connection | 1 | 3074 |
| 101 | Test point screw | 2 | not available |
| 103 | Gas control | 1 | 3083 |
| 400 | Water inlet connection | 1 | 3059 |
| 401 | Inlet filter | 1 | 3839 |
| 402 | Filter | 1 | 3048 |
| 403 | Water flow device | 1 | 3343 |
| 405 | Valve heater | 1 | 2365 |
| 408 | Hot water connection | 1 | 3055 |
| 409 | Hot water supply plug clip | 1 | not available |
| 410 | Drain | 1 | 3626 |
| 700 | PCB | 1 | 3353 |
| 701 | Surge protector | 1 | 3523 |
| 705 | PCB front cover | 1 | 3041 |
| 706 | PCB cover | 1 | 3384 |
| 710 | Sub transformer | 1 | 3385 |
| 718 | Thermistor | 1 | 3389 |
| 719 | Thermistor clip | 1 | 3882 |
| 720 | Frost sensing switch | 1 | 3358 |
| 724 | Transformer | 1 | 3392 |
| 725 | Transformer cover | 1 | 3067 |
| 899 | O-ring | 1 | 2239 |
| 900 | Gas inlet o-ring | 1 | 3559 |
| 901 | Packing | 1 | 3521 |
| 902 | Packing | 1 | 3521 |
| 903 | Thermistor o-ring | 1 | 3832 |
| 904 | Pressure relief valve o-ring | 1 | 3849 |
| 905 | Water filter o-ring | 1 | 1245 |
| 906 | Heat exchanger o-ring | 1 | 4912 |
| 907 | Heat exchanger bypass o-ring | 1 | 3826 |
| 908 | Water inlet/outlet | 1 | 3627 |

Infinity 22 (REU-2422W) external water heater

This diagram is provided to assist you to identify parts if replacement is necessary. Contact your place of purchase or the manufacturer to enquire about parts, availability and/or service.



| Ref. | Description | Qty. | Part No. |
|------|-----------------------------|------|----------|
| 415 | Modulating solenoid harness | 1 | 3374 |
| 416 | Fan motor harness | 1 | 3375 |
| 417 | Sensor harness | 1 | 3376 |
| 418 | Water flow device harness | 1 | 3380 |
| 420 | Flame rod harness | 1 | 3381 |
| 701 | Surge protector | 1 | 3523 |
| 707 | Power cord | 1 | 3526 |
| 709 | High tension cord | 1 | 3529 |
| 710 | Sub transformer | 1 | 3385 |
| 711 | Anti frost heater | 1 | 2363 |
| 715 | OHS | 1 | 3386 |
| 716 | Thermal fuse harness | 1 | 3388 |
| 717 | Fixed band | 4 | 2869 |
| 718 | Thermistor | 1 | 3389 |
| 720 | Frost sensing switch | 1 | 3358 |
| 723 | Fuse harness | 1 | 3391 |
| 724 | Transformer | 1 | 3392 |
| - | Anti-frost kit | 1 | FROST |