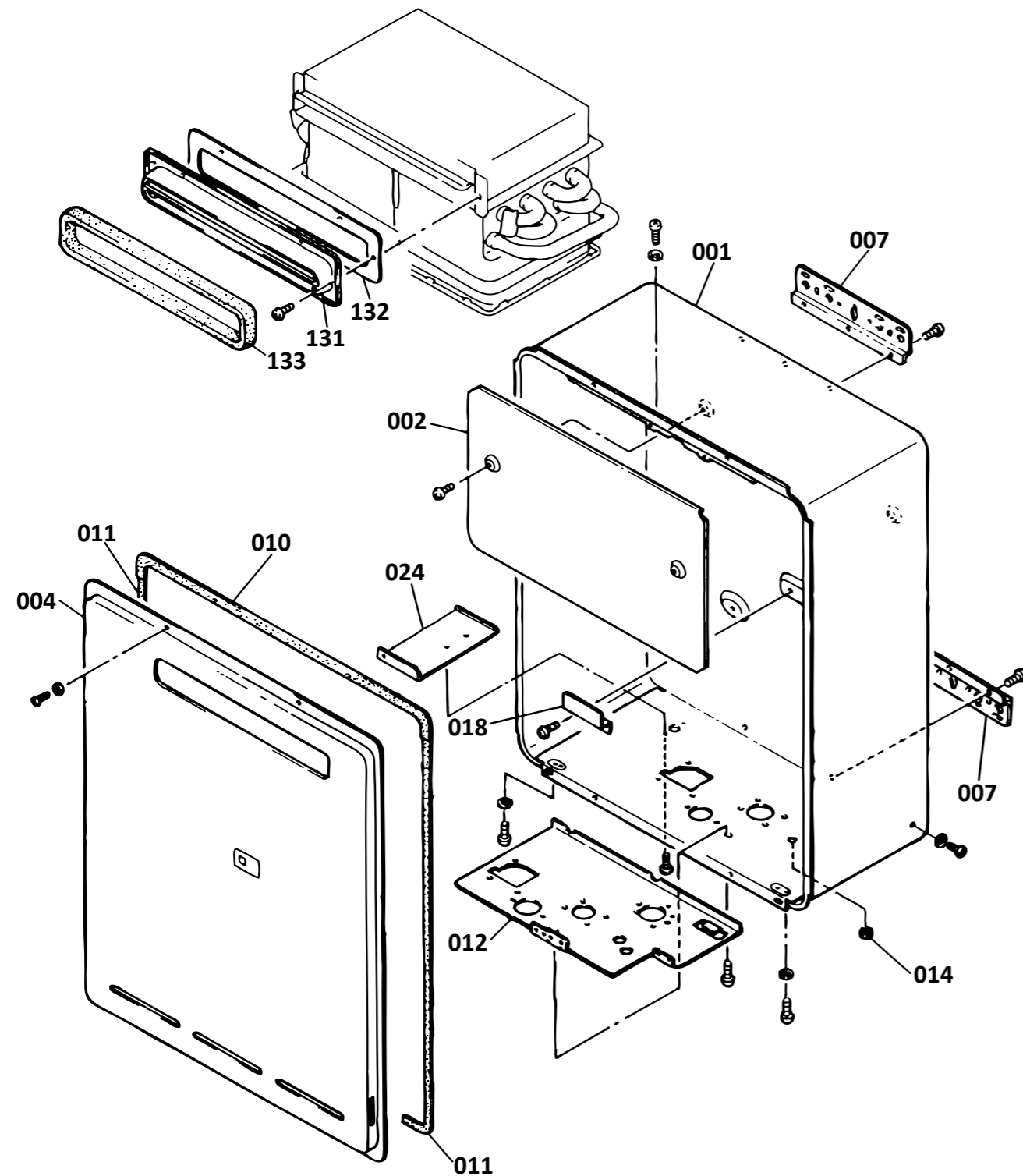


# Infinity Heavy Duty 32 (REU-V3232WC) external water heater

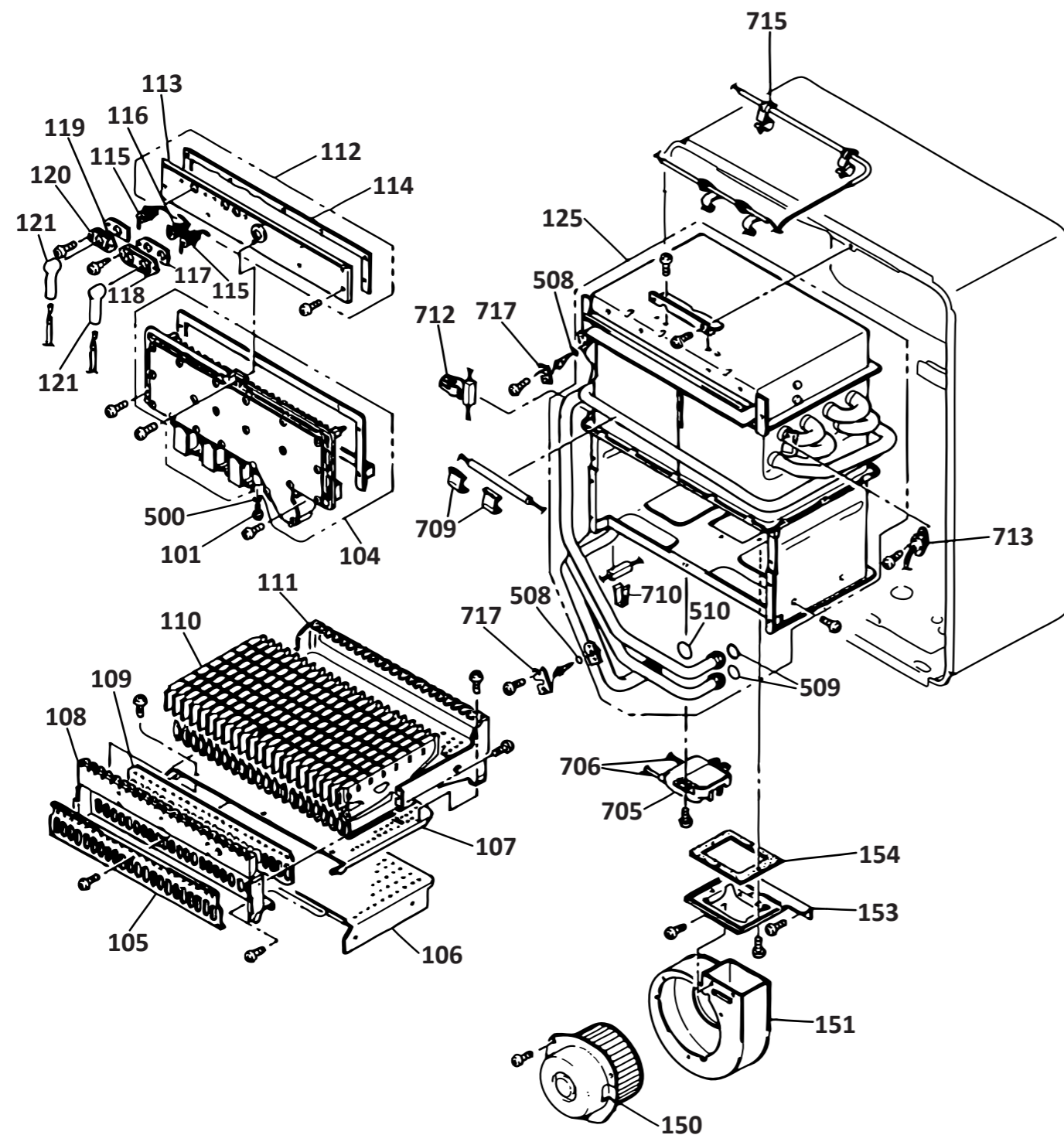
This diagram is provided to assist you to identify parts if replacement is necessary. Contact your place of purchase or the manufacturer to enquire about parts, availability and/or service.



Ref.	Description	Qty.	Part No.
001	Casing assembly	1	4903
002	Heat protection plate	1	not available
004	Front panel assembly	1	4904
007	Wall bracket	2	3422
010	Front panel packing	1	3418
011	Front panel packing side	2	3423
012	Connection reinforcement panel	1	not available
014	Rubber plug	1	not available
018	Reinforcement panel	1	not available
024	Plug plate	1	not available
131	Flue outlet	1	3555
132	Flue outlet packing	1	3479
133	Flue outlet packing	1	3344

# Infinity Heavy Duty 32 (REU-V3232WC) external water heater

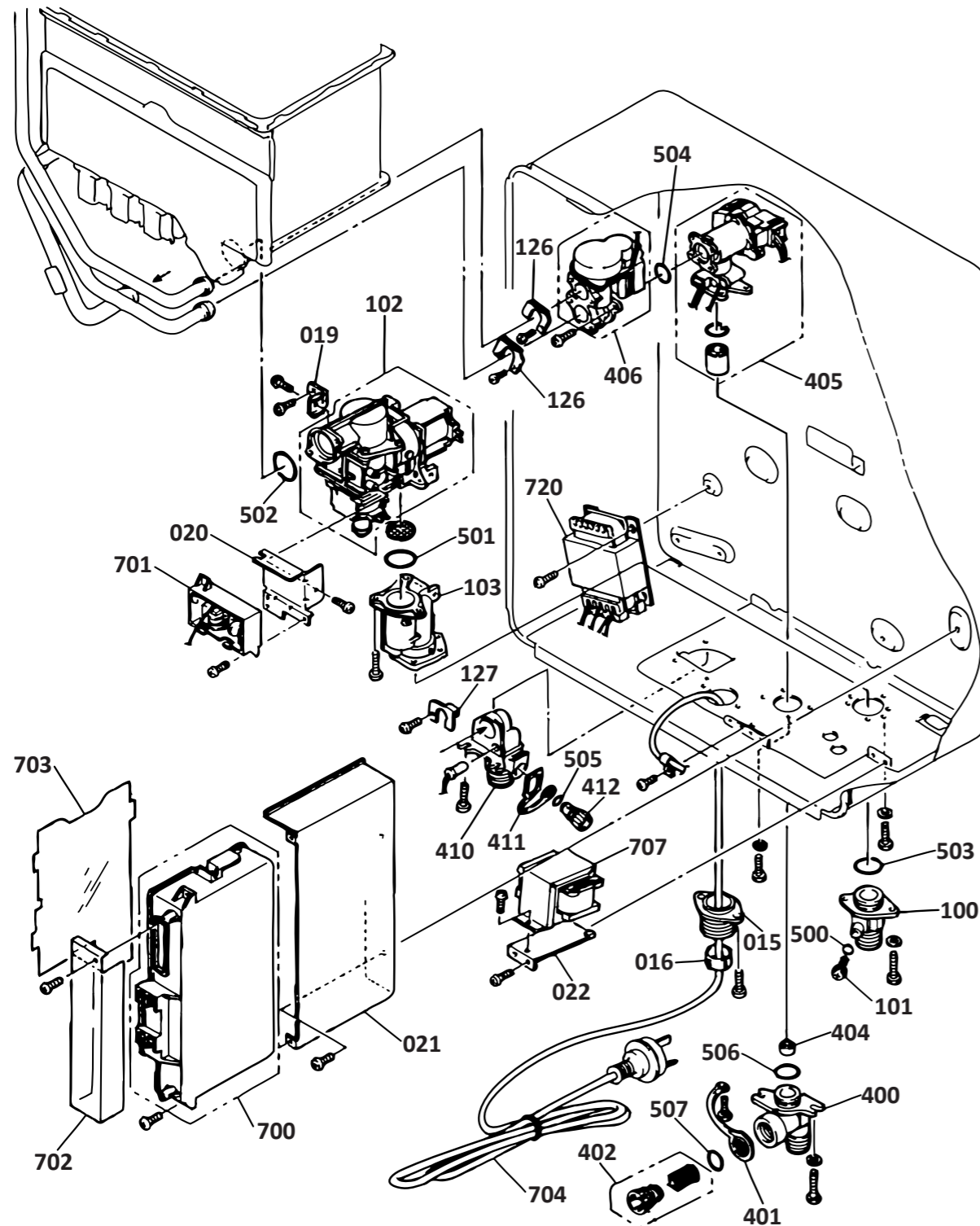
This diagram is provided to assist you to identify parts if replacement is necessary. Contact your place of purchase or the manufacturer to enquire about parts, availability and/or service.



Ref.	Description	Qty.	Part No.
101	Test point screw	2	not available
102	Gas control	1	3427
104	Manifold LPG	1	3431
104	Manifold NG	1	3432
105	Damper LPG/NG	1	3437
106	Restrictor plate	1	not available
107	Burner case lower	1	not available
108	Burner case front	1	not available
109	Packing	1	3439
110	Burners	22	3440
111	Burner case back panel	1	3319
112	Combustion chamber front assembly - use parts 113 & 114	1	-
113	Combustion chamber front plate	1	5326
114	Combustion chamber packing	1	3443
115	Electrode	2	3445
116	Flame rod	1	3464
117	Electrode packing	1	3465
118	Electrode holder	1	3468
119	Electrode packing	1	3469
120	Electrode holder	1	3471
121	Electrode sleeve	2	3475
125	Heat exchanger	1	4908
150	Fan motor assembly	1	3481
151	Fan casing assembly	1	not available
153	Fan connection	1	not available
154	Fan connection packing	1	3482
500	O-ring	2	2239
508	O-ring	2	3832
509	O-ring	2	3826
510	O-ring	1	3627
705	Ignitor	1	7542
706	High tension cord	2	3529
709	Anti-frost heater clip	2	2364
710	Anti-frost heater clip	1	2899
712	Anti-frost heater clip	1	3536
713	Overheat switch	1	3537
715	Thermal fuse clips	7	2869
717	Thermistor clip	2	3882

# Infinity Heavy Duty 32 (REU-V3232WC) external water heater

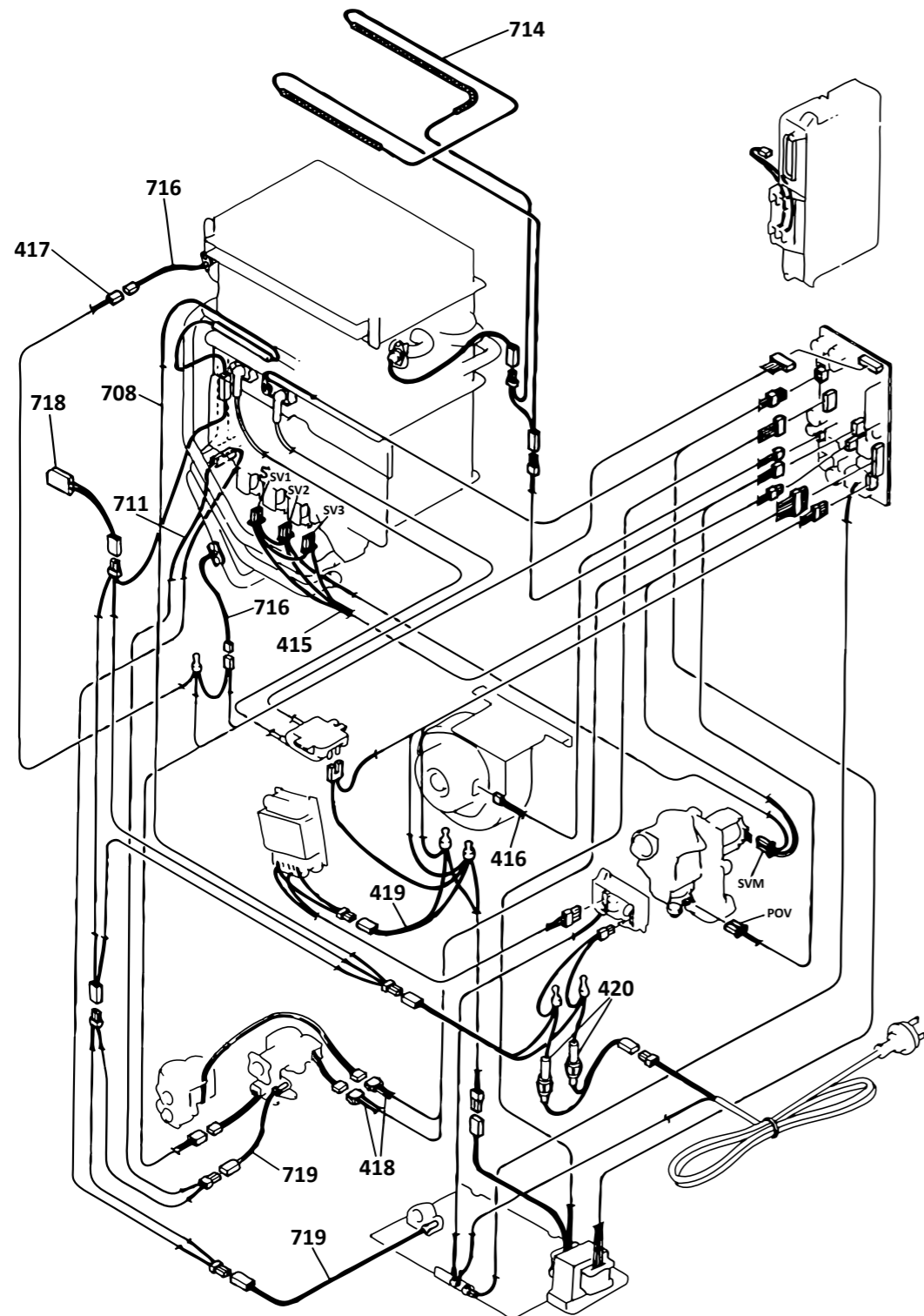
This diagram is provided to assist you to identify parts if replacement is necessary. Contact your place of purchase or the manufacturer to enquire about parts, availability and/or service.



Ref.	Description	Qty.	Part No.
015	Cable connection	1	3896
016	Cable seal packing	1	3551
019	Gas control bracket	1	not available
020	Surge protector bracket	1	not available
021	PCB bracket	1	not available
022	Transformer bracket	1	not available
100	Gas inlet 3/4"	1	3200
101	Test point screw	2	not available
103	Gas control connection	1	3430
126	Stop bracket	2	not available
127	Stop bracket	1	not available
400	Water inlet connection	1	3484
401	Plug band	1	not available
402	Incoming water filter (filter + plug)	1	3839
404	Balancer	1	3487
405	Water flow servo & sensor	1	3488
406	Bypass servo	1	3489
410	Water outlet connection	1	3490
411	Plug band	1	not available
412	Pressure relief valve	1	3491
500	O-ring	2	2239
501	Packing	1	3012
502	Packing	1	3521
503	O-ring	1	3837
504	O-ring	1	3627
505	O-ring	1	1031
506	O-ring	1	3627
507	O-ring	1	1244
700	PCB	1	3522
701	Surge protector	1	3523
702	PCB cover - side	1	3524
703	PCB cover - front	1	3525
704	Electrical cord	1	3526
707	Transformer	1	3530
720	Transformer	1	3550

# Infinity Heavy Duty 32 (REU-V3232WC) external water heater

This diagram is provided to assist you to identify parts if replacement is necessary. Contact your place of purchase or the manufacturer to enquire about parts, availability and/or service.



Ref.	Description	Qty.	Part No.
415	Modulating solenoid valve harness	1	3492
416	Fan motor harness	1	3493
417	Sensor harness	1	3495
418	Water flow servo harness	1	3505
419	Transformer harness	1	3506
420	3-amp fuse harness	1	3391
708	230 V anti-frost heater A	1	3534
711	230 V anti-frost heater B	1	3535
714	Thermal fuse harness	1	3538
716	Thermistor	2	3389
718	Frost sensing switch	1	2362
719	230 V anti-frost valve heater	1	3544
-	Anti-frost kit	1	FROST2