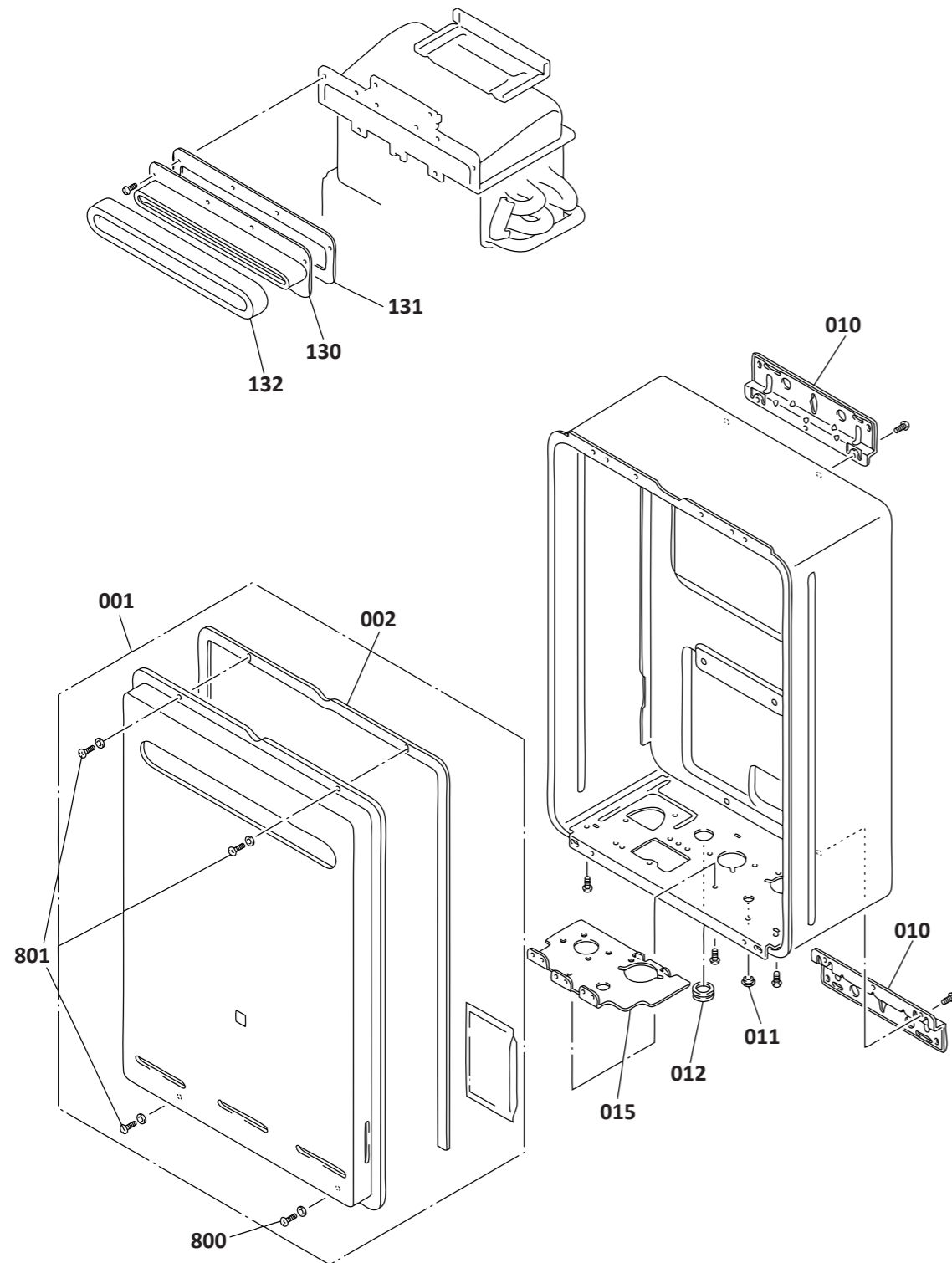


Infinity XR18 (REU-V1818WG) external water heater

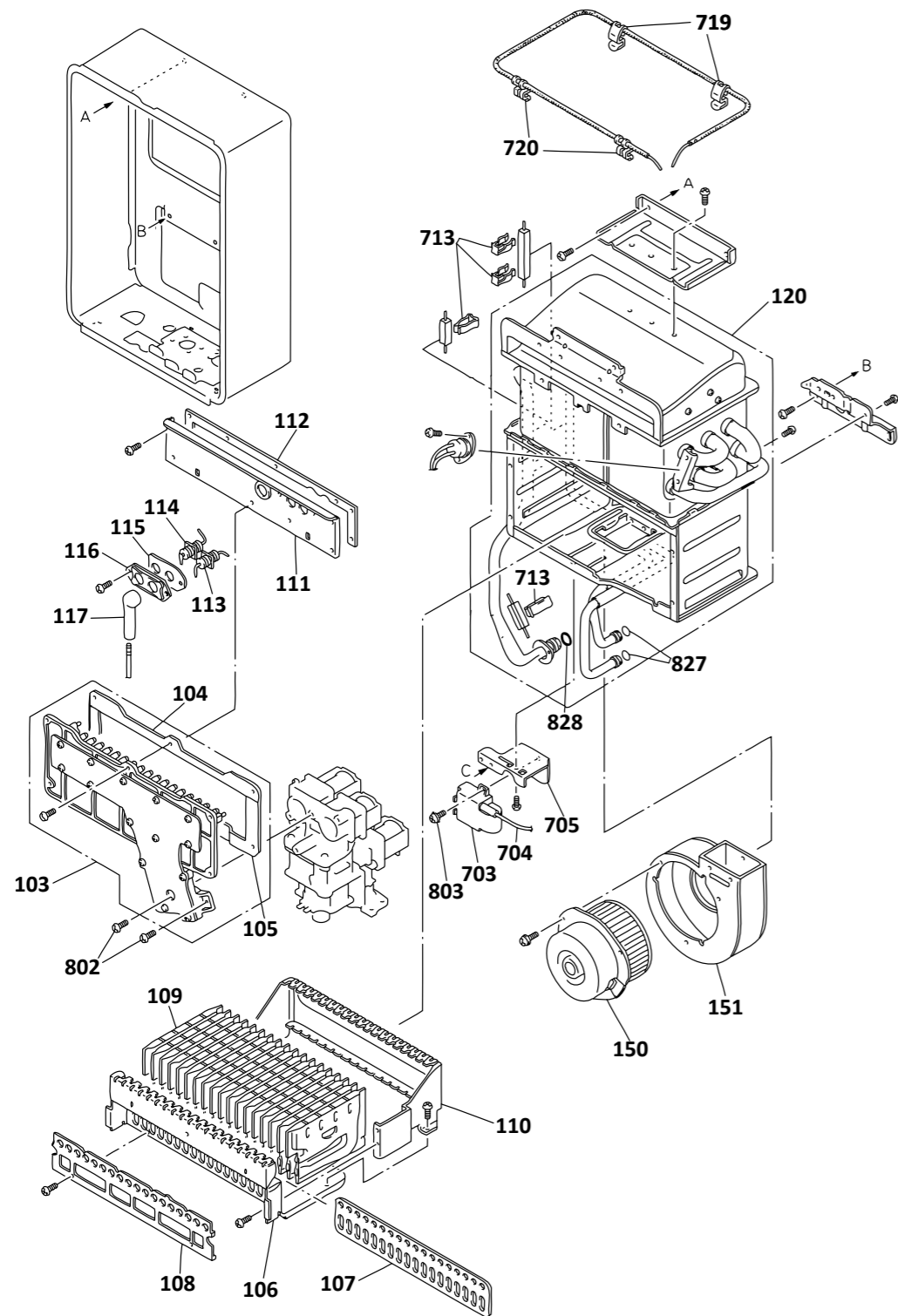
This diagram is provided to assist you to identify parts if replacement is necessary. Contact your place of purchase or the manufacturer to enquire about parts, availability and/or service.



Ref.	Description	Qty.	Part No.
SI = stocked item			
001	Front panel assembly	1	3258 (SI)
002	Front panel packing	1	2940
010	Wall bracket	2	3387 (SI)
011	Seal packing	1	2898
012	Rubber bush C	1	2881
015	Connection reinforcement panel	1	2864
130	Flue outlet	1	3264
131	Flue outlet packing	1	3256
132	Main body seal packing	1	3284
800	Screw	1	2871
801	Truss screw	3	2939

Infinity XR18 (REU-V1818WG) external water heater

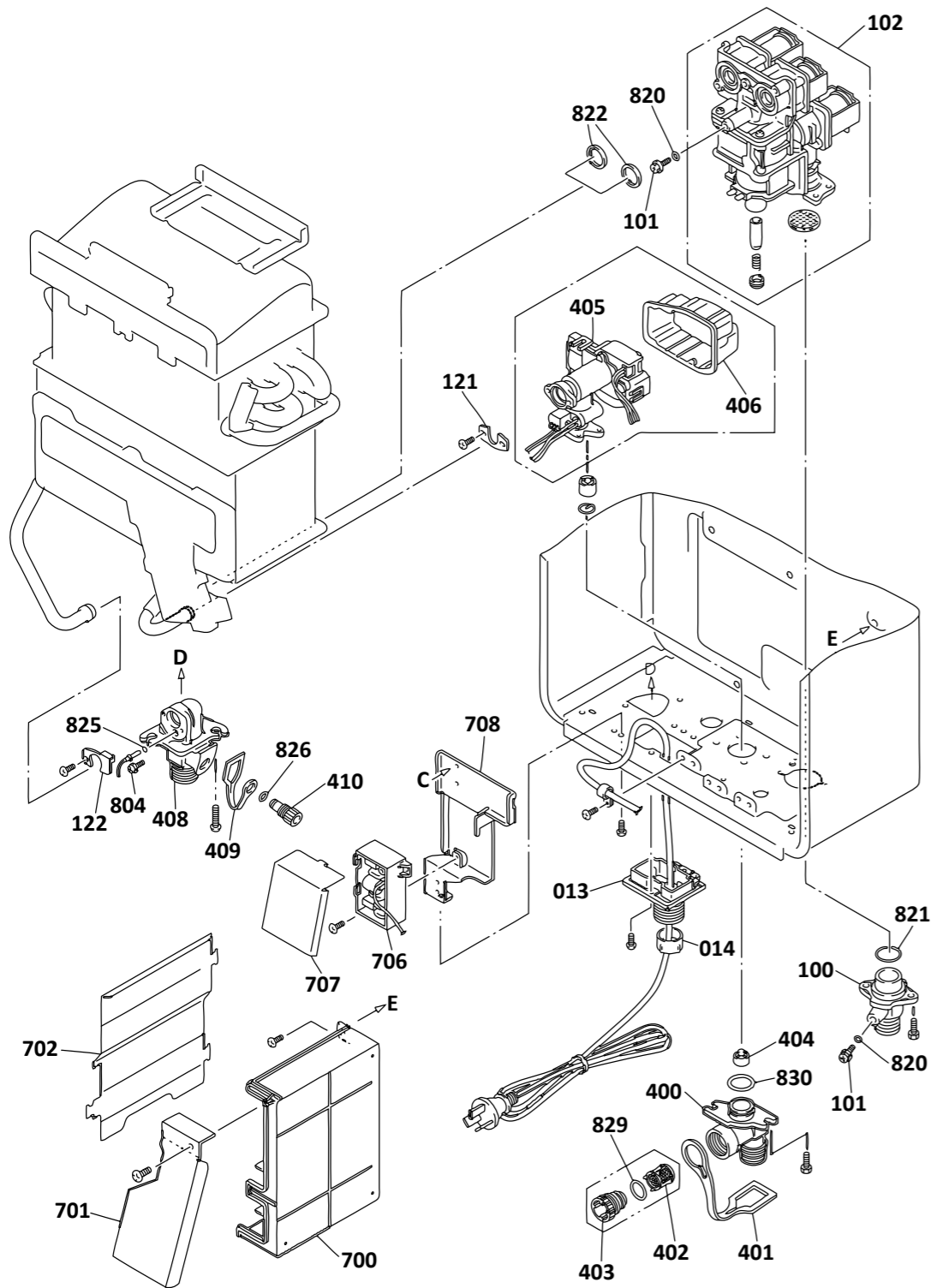
This diagram is provided to assist you to identify parts if replacement is necessary. Contact your place of purchase or the manufacturer to enquire about parts, availability and/or service.



Ref.	Description	Qty.	Part No.
SI = stocked item			
103	Manifold assembly A LPG	1	4887 (SI)
103	Manifold assembly E NG	1	4888 (SI)
104	Manifold packing top	1	3250
105	Manifold packing lower	1	3251
106	Burner case front	1	3245
107	Packing	1	3255
108	Damper A	1	4890 (SI)
109	Lean & rich burner assembly	18	2941
110	Burner case rear	1	3247
111	Combustion chamber front	1	3242
112	Combustion chamber packing top	1	3257
113	Electrode	1	3445 (SI)
114	Flame rod electrode	1	4916 (SI)
115	Electrode packing	1	3465 (SI)
116	Electrode holder	1	3468 (SI)
117	Electrode sleeve	1	3465 (SI)
120	Heat exchanger assembly	1	4920 (SI)
-	Heat exchanger high acidity assembly	1	5325 (SI)
150	Fan motor assembly	1	5782 (SI)
151	Fan casing assembly	1	3404 (SI)
703	Ignitor assembly	1	2886 (SI)
704	HT lead universal	1	3651 (SI)
705	Ignitor fixing plate	1	3249
713	Heater fixing plate	4	2899
719	Temperature fuse fixing plate	2	3659 (SI)
720	Temperature fuse fixing plate	2	4899 (SI)
802	Screw	3	2938
803	Tapping screw	1	2896
827	O-ring	1	4912 (SI)
828	O-ring	1	3826 (SI)

Infinity XR18 (REU-V1818WG) external water heater

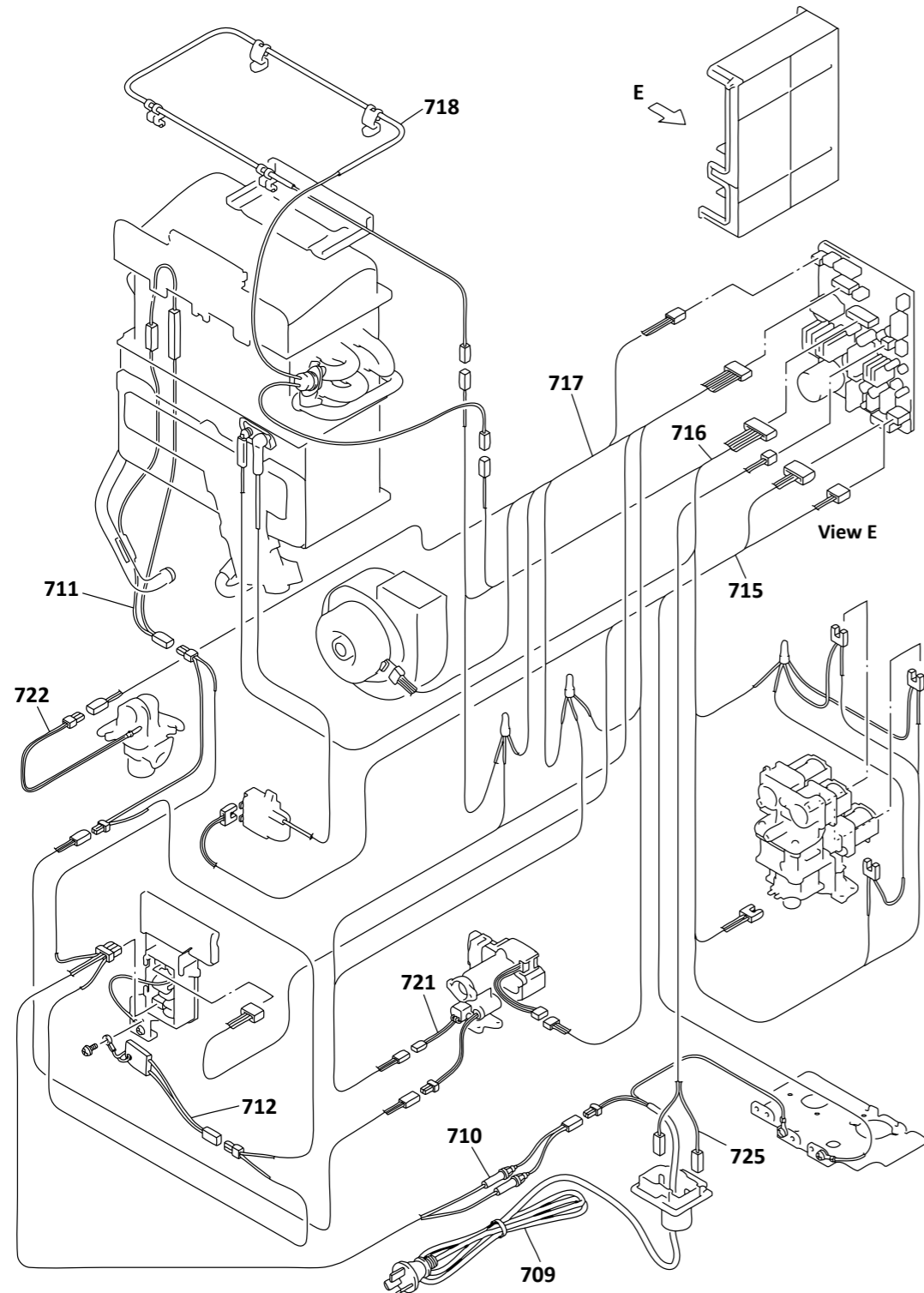
This diagram is provided to assist you to identify parts if replacement is necessary. Contact your place of purchase or the manufacturer to enquire about parts, availability and/or service.



Ref.	Description	Qty.	Part No.
SI = stocked item			
013	Quick control connection	1	2877
014	Cable seal packing	1	2928
100	Gas connection	1	3074 (SI)
101	Test point screw	2	3564 (SI)
102	Gas control assembly	1	2878 (SI)
121	Fixing bracket	1	3331 (SI)
122	Fixing bracket	1	3332 (SI)
400	Water inlet	1	3210
401	Plug band inlet	1	2927 (SI)
402	Incoming water filter	1	3839 (SI)
404	Balancer	1	3487 (SI)
404a	Water turbine	1	2850
405	Water servo & sensor LPG	1	2944 (SI)
405	Water servo & sensor NG	1	2945 (SI)
406	Water servo cover	1	2871
408	Hot water outlet	1	3214
409	Plug band hot water	1	2926
410	Pressure relief valve	1	3491 (SI)
700	PCB main assembly	1	3238 (SI)
701	EC cover 2-Z	1	2872
702	PCB cover	1	2866
706	Surge protector	1	4930 (SI)
707	Sub circuit board cover	1	2873
708	Fixing plate	1	2925
804	Thermistor stop screw	1	3241
820	O-ring	2	2239 (SI)
821	Gas inlet o-ring	1	3837 (SI)
822	Packing	2	3773 (SI)
825	O-ring	1	3832 (SI)
829	O-ring	1	1244 (SI)
830	O-ring	1	3627 (SI)

Infinity XR18 (REU-V1818WG) external water heater

This diagram is provided to assist you to identify parts if replacement is necessary. Contact your place of purchase or the manufacturer to enquire about parts, availability and/or service.



Ref.	Description	Qty.	Part No.
SI = stocked item			
709	Power cord	1	3526 (SI)
710	Fuse harness LPG	1	2855 (SI)
710	Fuse harness NG	1	2854 (SI)
711	Valve water heater assembly	1	4900 (SI)
712	Frost sensing switch	1	3358 (SI)
715	Electric power harness	1	2888 (SI)
716	Magnet valve harness	1	2889 (SI)
717	Sensor harness	1	3248 (SI)
718	Thermal fuse harness	1	4897 (SI)
721	MR sensor	1	3771 (SI)
722	Thermistor	1	2884 (SI)
725	Remote controller harness	1	2891