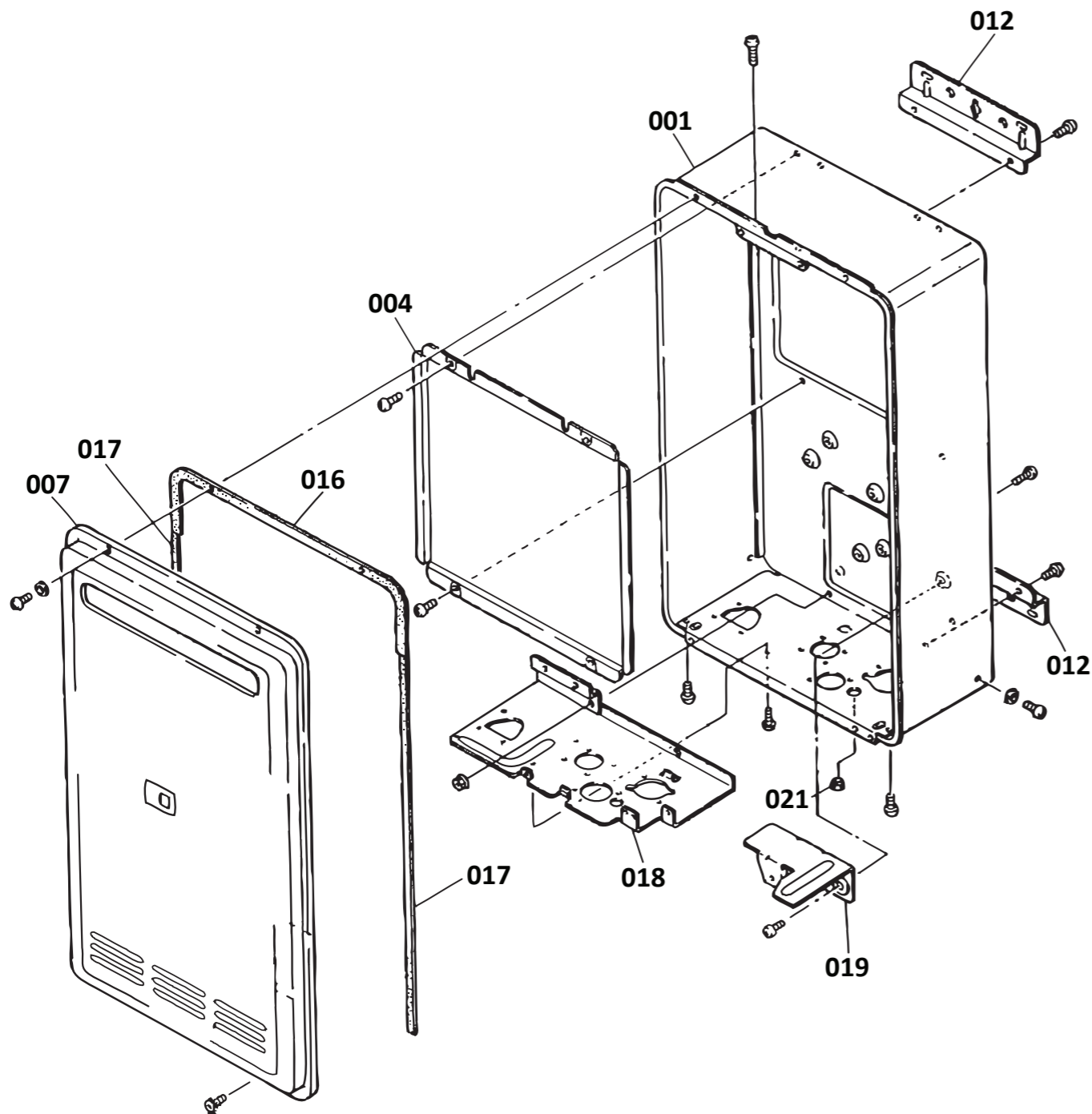


Infinity 24 (REU-2425W) external water heater

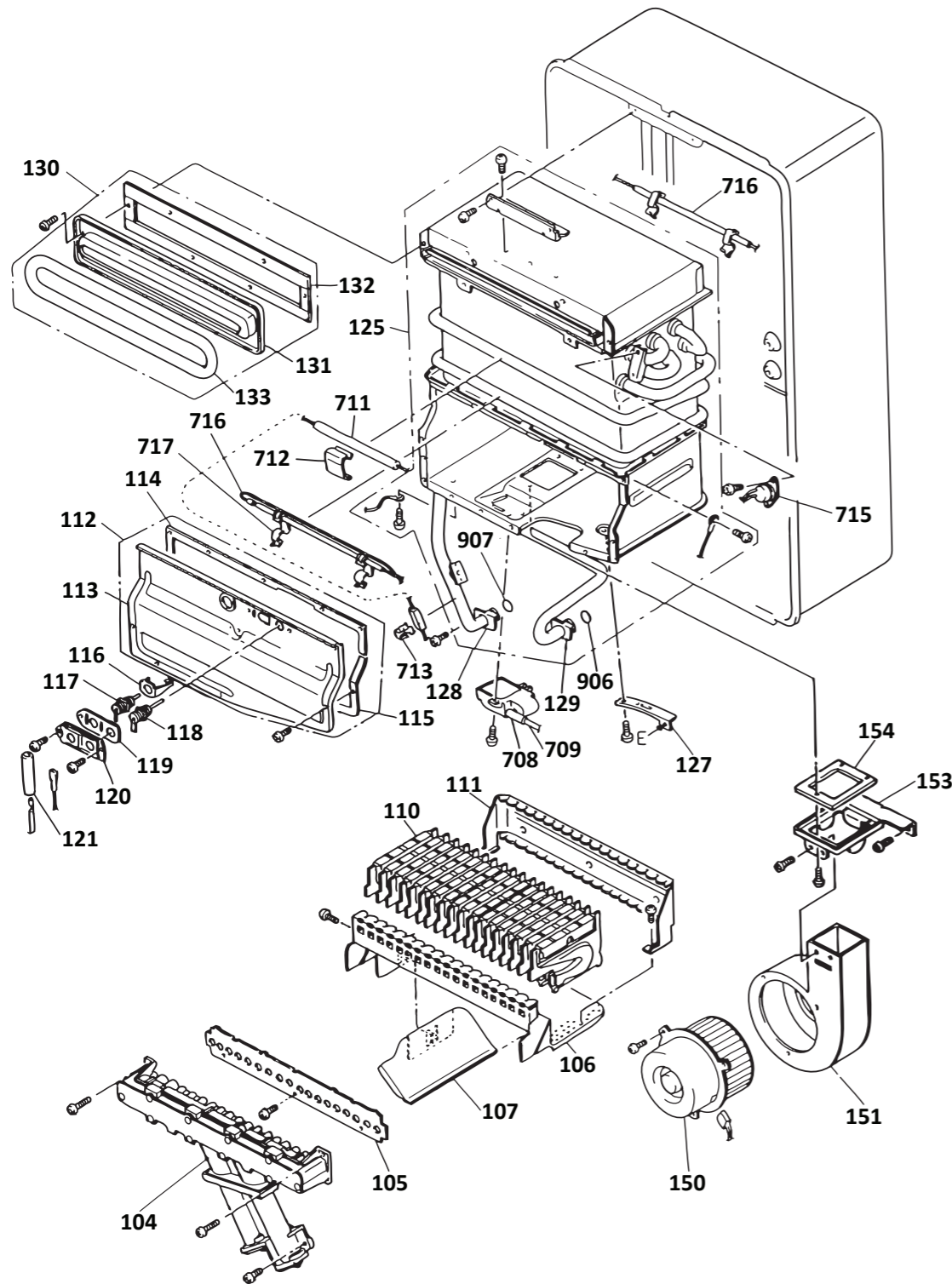
This diagram is provided to assist you to identify parts if replacement is necessary. Contact your place of purchase or the manufacturer to enquire about parts, availability and/or service.



Ref.	Description	Qty.	Part No.
001	Main body	1	3351
004	Heat shield	1	not available
007	Front panel	1	3352
012	Wall bracket	2	3387
016	Front panel packing top	1	3418
017	Front panel packing side	2	3807
018	Wiring reinforcement panel	1	not available
019	Gas control bracket	1	not available
021	Screw packing	1	not available

Infinity 24 (REU-2425W) external water heater

This diagram is provided to assist you to identify parts if replacement is necessary. Contact your place of purchase or the manufacturer to enquire about parts, availability and/or service.

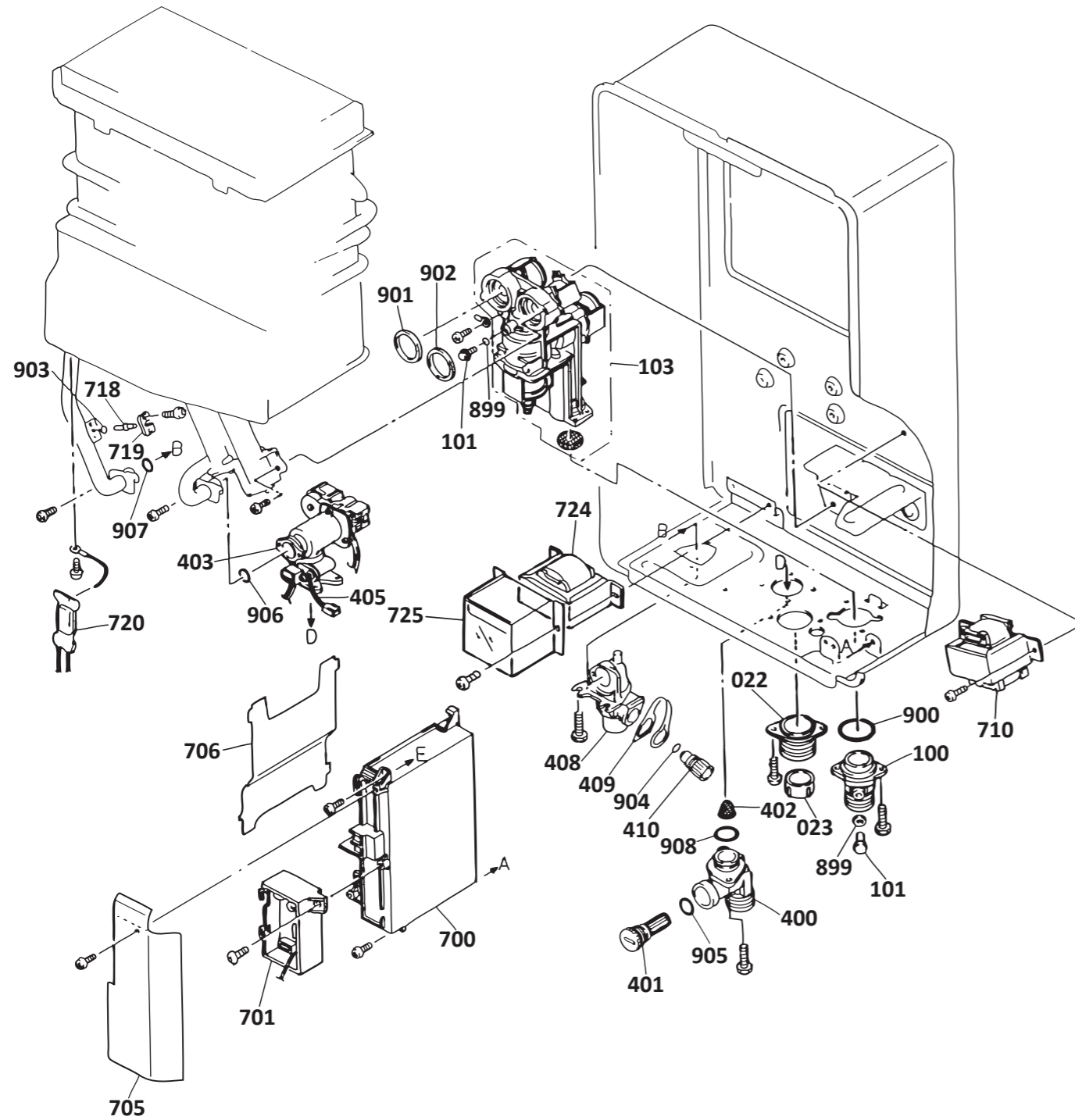


Ref.	Description	Qty.	Part No.
104	Manifold LPG	1	3089
104	Manifold NG	1	3125
105	Damper LPG only	1	3136
106	Burner case front	1	not available
107	Sound proofing panel	1	not available
110	Burner NG/LPG	18	3393
111	Burner box rear panel	1	not available
112	Combustion chamber front panel assy.	1	not available
113	Combustion chamber front panel	1	not available
114	Combustion chamber packing top	1	3396
115	Combustion chamber packing bottom	1	3397
116	Ignition target	1	3438
117	Electrode	1	3016
118	Flame rod	1	3018
119	Electrode packing	1	3441
120	Flame rod clip	1	3478
121	Electrode sleeve	1	3395
125	Heat exchanger	1	3347
125	Heat exchanger tin lined assy.	1	3347T
127	PCB casing	1	not available
128	Washer	1	not available
129	Washer	1	not available
131	Exhaust	1	3402
132	Exhaust packing	1	3398
133	Front panel seal	1	3056
150	Fan assembly	1	3348
151	Fan casing	1	not available
153	Fan connection	1	not available
154	Fan connection packing	1	3025
708	Sparker	1	1893
709	High tension cord	1	3529

Ref.	Description	Qty.	Part No.
711	Anti frost heater	1	2363
712	Heater bracket	1	2364
713	Heater bracket	1	2899
715	OHS	1	3386
716	Thermal fuse harness	1	3388
717	Fixed band	4	2869
906	Heat exchanger o-ring	1	4912
907	HEX outlet bypass o-ring	1	3826

Infinity 24 (REU-2425W) external water heater

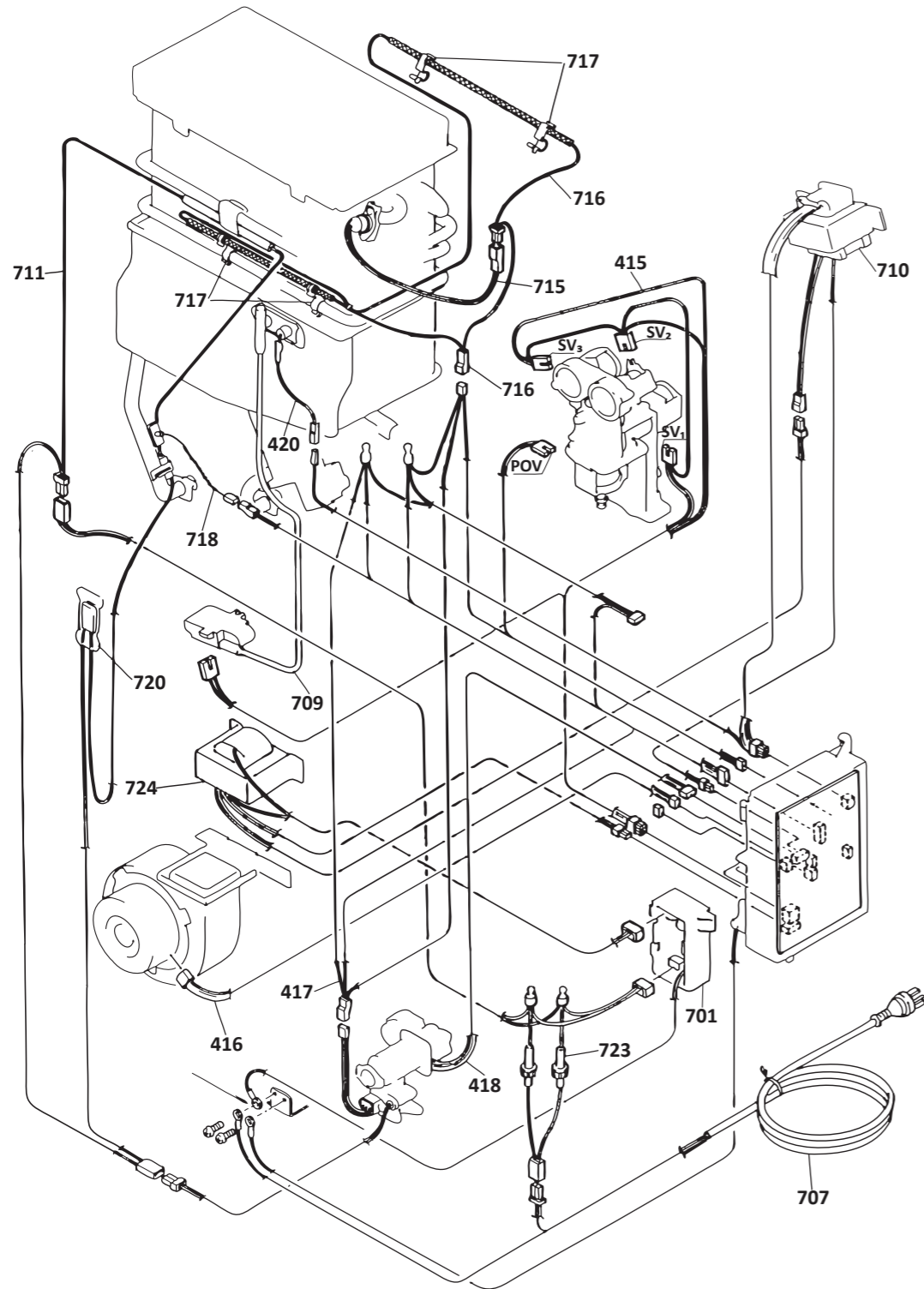
This diagram is provided to assist you to identify parts if replacement is necessary. Contact your place of purchase or the manufacturer to enquire about parts, availability and/or service.



Ref.	Description	Qty.	Part No.
022	Cable connection	1	3896
023	Cable seal packing	1	3551
100	Gas connection	1	3074
101	Test point screw	2	not available
103	Gas control	1	3083
400	Water inlet connection	1	3059
401	Inlet filter	1	3839
402	Filter	1	3048
403	Water flow device	1	3343
405	Valve heater	1	2365
408	Hot water connection	1	3055
409	Hot water supply plug clip	1	not available
410	Drain	1	3626
700	PCB	1	3353
701	Surge protector	1	3523
705	PCB front cover	1	3041
706	PCB cover	1	3384
710	Sub transformer	1	3385
718	Thermistor	1	3389
719	Thermistor clip	1	3882
720	Frost sensing switch	1	3358
724	Transformer	1	3392
725	Transformer cover	1	3067
899	O-ring	1	2239
900	Gas inlet o-ring	1	3559
901	Packing	1	3521
902	Packing	1	3521
903	Thermistor o-ring	1	3832
904	Pressure relief valve o-ring	1	1031
905	Water filter o-ring	1	1245
906	Heat exchanger o-ring	1	4912
907	Heat exchanger bypass o-ring	1	3826
908	Water inlet/outlet	1	3627

Infinity 24 (REU-2425W) external water heater

This diagram is provided to assist you to identify parts if replacement is necessary. Contact your place of purchase or the manufacturer to enquire about parts, availability and/or service.



Ref.	Description	Qty.	Part No.
415	Modulating solenoid harness	1	3374
416	Fan motor harness	1	3375
417	Sensor harness	1	3376
418	Water flow device harness	1	3380
420	Flame rod harness	1	3381
701	Surge protector	1	3523
707	Power cord	1	3526
709	High tension cord	1	3529
710	Sub transformer	1	3385
711	Anti frost heater	1	2363
715	OHS	1	3386
716	Thermal fuse harness	1	3388
717	Fixed band	4	2869
718	Thermistor	1	3389
720	Frost sensing switch	1	3358
723	Fuse harness	1	3391
724	Transformer	1	3392
-	Anti-frost kit	1	FROST